

# Specifications

## FAUCET DESCRIPTION

- Brass construction with chrome plated finish
- 3/8" male compression fittings
- 4" centerset
- Vandal resistant torx head screws
- Less spout (uses S series spouts)


## OPERATION

- Lever style handles with hot and cold color indicators
- Hot side clockwise (1/4) turn to open (counterclockwise to close)
- Cold side counterclockwise (1/4) turn to open (clockwise to close)

## CARTRIDGE

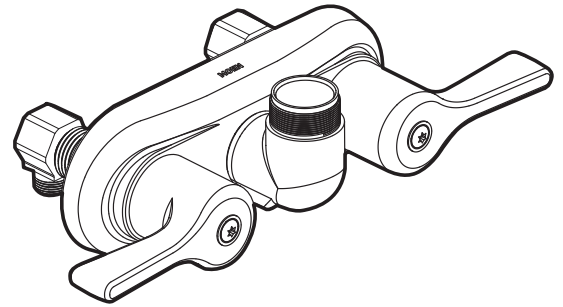
- Brass shell, ceramic disc construction

## STANDARDS

- Third party certified to meet ASME A112.18.1/CSA B-125.1, NSF 61/9 and all applicable specifications referenced therein
- Contains no more than 0.25% weighted average lead content
- Complies with California Proposition 65 and with the Federal Safe Drinking Water Act
- **ADA**  for lever handles

## WARRANTY

- Warranted for 5 years against material or manufacturing defects

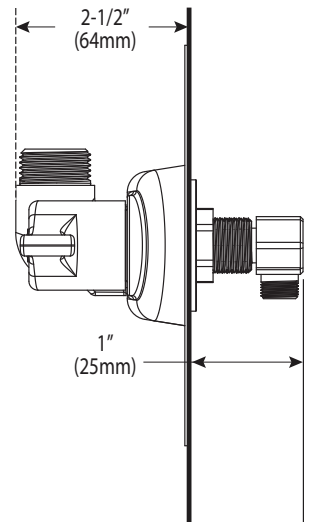
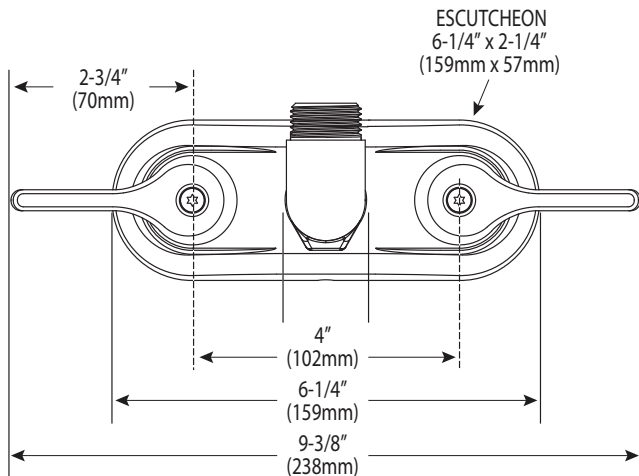


## Two-Handle Wall-Mount Bar Faucet without Spout

Model: 8286



**NOTE:** THIS FAUCET IS DESIGNED TO BE INSTALLED THROUGH 2 HOLES, 1" MIN. DIA. AND 4" ON CENTER



## CRITICAL DIMENSIONS

(DO NOT SCALE)