

# Economy Technical Specification

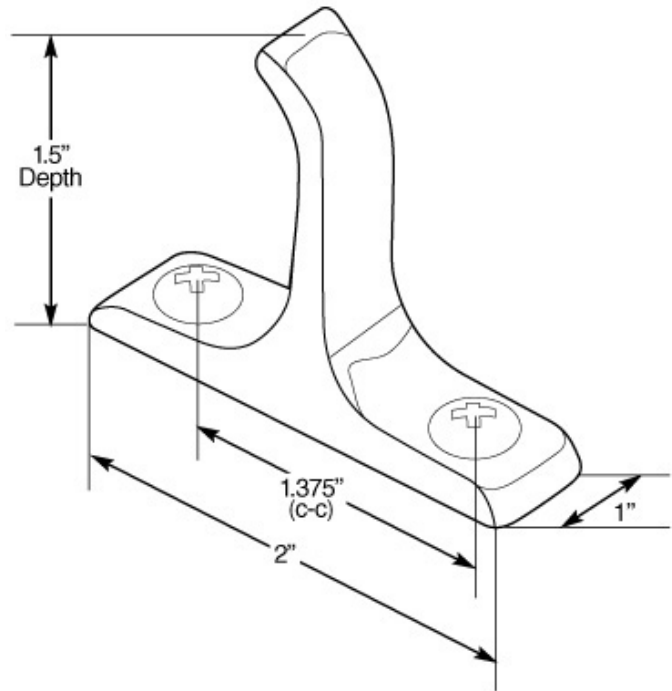
## Robe Hook

902

### Stock Numbers:

- q **R902 – Single Robe Hook**  
Polished Chrome Finish  
Plastic Body  
Exposed Screw Mounting
- q **902 – Single Robe Hook**  
Polished Chrome Finish  
Metal Body  
Exposed Screw Mounting

### Dimensions:



### Materials:

**Robe Hook** is die cast from highest quality zinc alloy (zamac) or injection molded from plastic. Castings are triple plated with a polished chrome finish.

### Installation Instructions:

1. Place unit on wall in desired location.
2. Mark location of holes. Drill starter holes.
3. Attach unit to wall with 1 ½" screws (provided).

Note: Wood blocking is preferable behind all wall surfaces.

If wood blocking is not available, the following optional fasteners are suggested: Tile/Masonry – Plastic or Lead Anchors; Plaster/Drywall – Toggle Bolts.

### Cleaning Instructions:

To preserve the fine finish of this product, clean only with a soft damp cloth. Dry well. Do not use commercial or abrasive cleaners.

**Stock Number:** \_\_\_\_\_ **Robe Hook**  
By CSI Bath Furnishings

