

# Eastlake™ Technical Specification

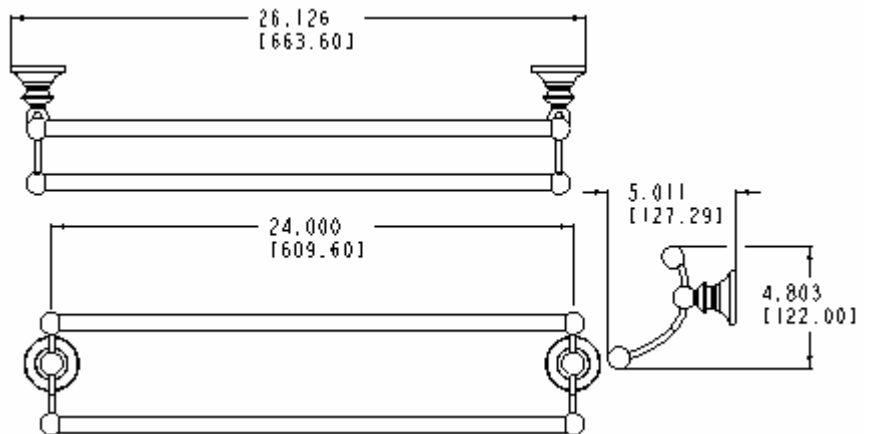
## 24" Double Towel Bar

# DN4222

### Stock Numbers:

- q **DN4222ORB – 24" Double Towel Bar**  
Oil Rubbed Bronze Finish

### Dimensions:



### Materials:

Towel bar posts are constructed of zinc. Bars are constructed of brass.

### Installation Instructions:

Directions below are for installation into drywall. If installing product into a stud, use the wood screws only.

- 1) Position the mounting template on the wall in the desired location.
- 2) Using a level, align the template and tape it to the wall.
- 3) Drill two 5/16" holes at each mounting post location that corresponds to your product.
- 4) Remove the template from the wall.
- 5) Fold ends of the plastic toggle together and insert into each hole in the wall.
- 6) Lightly tap anchors until flush with the wall.
- 7) One at a time, insert plastic pin into each of the anchors and lightly tap to activate anchor. Remove pin and repeat on all anchors.
- 8) Secure the EZ 2 Install wall bracket to the wall by inserting 2 screws through the wall bracket holes and into the anchors. Tighten screws.
- 9) Assemble the towel bar and posts.
- 10) Place product posts over EZ 2 Install wall brackets and slide down to lock into place.

### Cleaning Instructions:

To preserve the fine finish of this product, clean only with a soft damp cloth. Dry well. Do not use commercial or abrasive cleaners.

**Stock Number:** \_\_\_\_\_ **Double Towel Bar**  
By Creative Specialties



25300 AL MOEN DRIVE • NORTH OLMSTED, OH 44070  
CORPORATE HEADQUARTERS: (800) 321-8809 • FAX: (800) 848-6636  
INTERNATIONAL: (440) 962-2000 • FAX: (440) 962-2726  
CUSTOMER SERVICE (USA): 800-882-0116 • FAX: (888) 379-2720  
WWW.CSI.MOEN.COM

©Copyright Creative Specialties International 2006

Literature #BA1368