

# Commercial Bath Accessories Technical Specification

## Classic Paper Holder

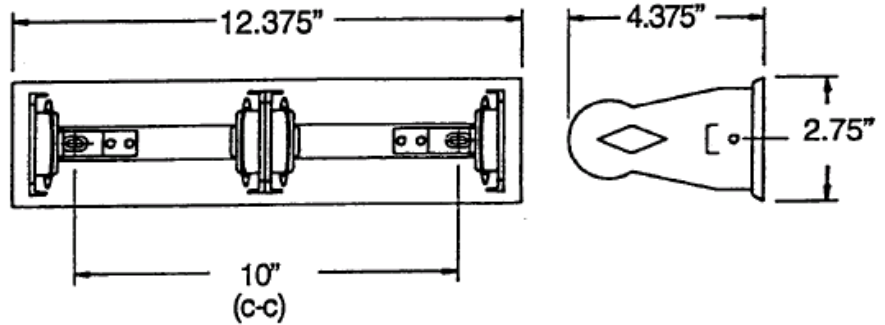
110, 111

### Stock Numbers:

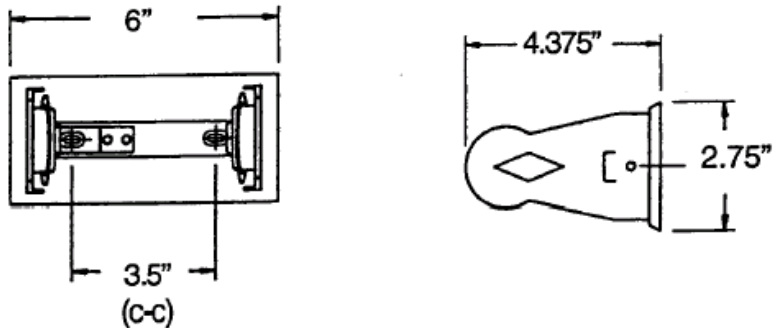
- q **110CH – Classic Paper Holder**  
Single Roll  
Polished Chrome Finish  
Holds 4.5" Diameter Standard Roll  
Concealed Locking Device
- q **111CH – Classic Paper Holder**  
Double Roll  
Polished Chrome Finish  
Holds 4.5" Diameter Standard Roll  
Concealed Locking Device

### Dimensions:

#### Double Roll



#### Single Roll



### Materials:

**Classic Paper Holder** back plate and projecting arms are fabricated of 18-gauge steel with a triple plated polished chrome finish. Roller bar is fabricated of 14-gauge steel with a triple plated polished chrome finish. Roller bar locking device is 25-gauge steel with a triple plated polished chrome finish.

### Installation Instructions:

Mount holder to wall surface through two holes in back plate using 1 1/4" screws (provided).

Note: Wood blocking is preferable behind all wall surfaces. If wood blocking is not available, the following optional fasteners may be used: Tile / Masonry – Plastic or Lead Anchors; Plaster / Drywall – Toggle Bolts.

Stock Number: \_\_\_\_\_ Classic Paper Holder  
By CSI Bath Furnishings

