



Buy it for looks. Buy it for life.®

Specifications

DESCRIPTION

- Metal construction with a chrome plated finish
- Pressure balancing valve design with integral check stops, 1/2" CC connections
- Supplied with adjustable temperature limit stop


OPERATION

- Pivot action lever style handle
- Temperature operates through an 180° arc of handle travel (full cold to full hot)
- Pressure balancing mechanism maintains selected discharge temperature to $\pm 2^\circ$.

CARTRIDGE

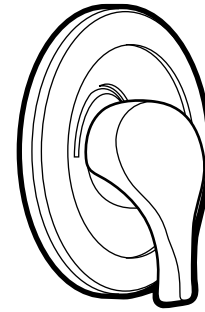
- 1225 cartridge design
- Nonmetallic/nonferrous and stainless steel materials
- Accommodates back to back installations

STANDARDS

- Third party certified to meet: ASME A112.18.1/CSA B-125.1 and ASSE 1016 and all applicable requirements referenced therein
- ADA  for lever handle

WARRANTY

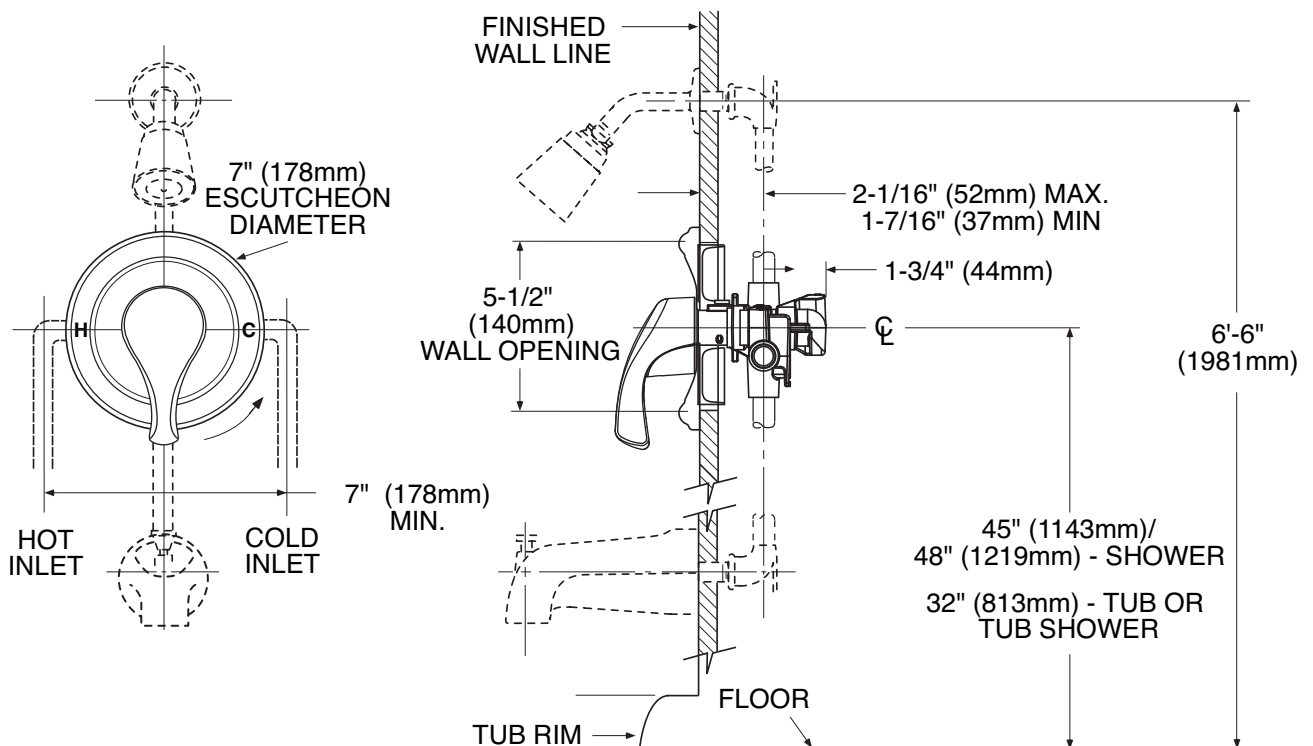
- Lifetime limited warranty against leaks, drips and finish defects to the original consumer purchaser
- 5 year warranty if used in commercial installations



LEGEND® MOENTROL®
Single-Handle Tub/Shower Valve Only

Model: L3170

Discontinued Model: L3170P



CRITICAL DIMENSIONS

(DO NOT SCALE)

FOR MORE INFORMATION CALL: 1-800-BUY-MOEN

www.moen.com