

Commercial Bath Accessories Technical Specification

Premier Paper Holder

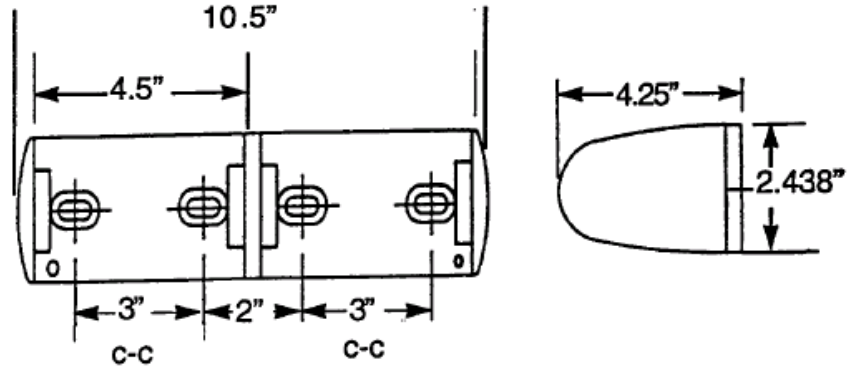
112, 113

Stock Numbers:

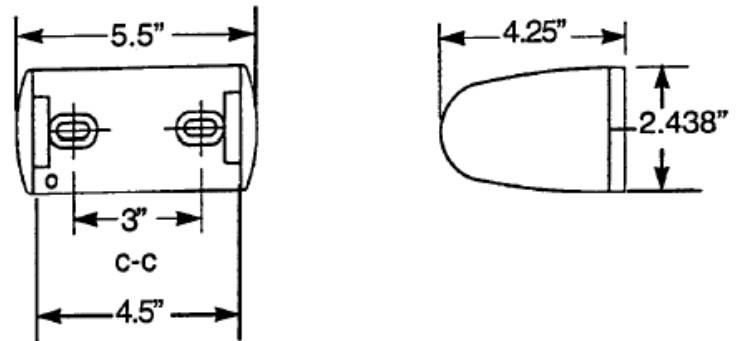
- q **R112CH – Premier Paper Holder**
Single Roll
Polished Chrome Finish
Holds 5" Diameter Standard Roll
Concealed Push Button Release
- q **R113CH – Premier Paper Holder**
Double Roll
Polished Chrome Finish
Holds 5" Diameter Standard Roll
Concealed Push Button Release

Dimensions:

Double Roll



Single Roll



Materials:

Premier Paper Holder back plate and projecting arms are die cast from highest quality zinc alloy (zamac), with a triple plated polished chrome finish. Push button is plastic. Spring catch is galvanized steel.

Installation Instructions:

Position product and secure to wall surface using 1" screws (provided).

Note: Wood blocking is preferable behind all wall surfaces. If wood blocking is not available, the following optional fasteners may be used: Tile / Masonry – Plastic or Lead Anchors; Plaster / Drywall – Toggle Bolts.

Stock Number: _____ Premier Paper Holder
By CSI Bath Furnishings

