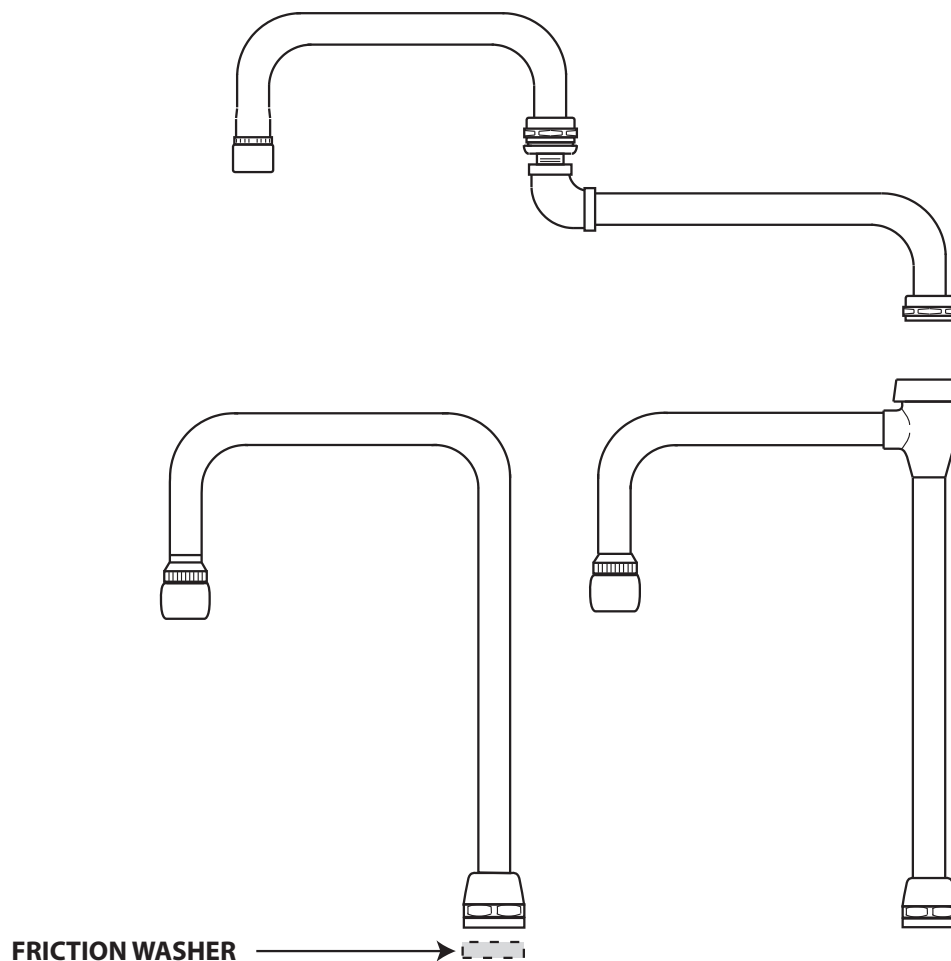


SANI-STREAM[®]

by MOEN

INSTALLATION INSTRUCTIONS

THESE INSTRUCTIONS MUST BE
LEFT AT INSTALLATION SITE



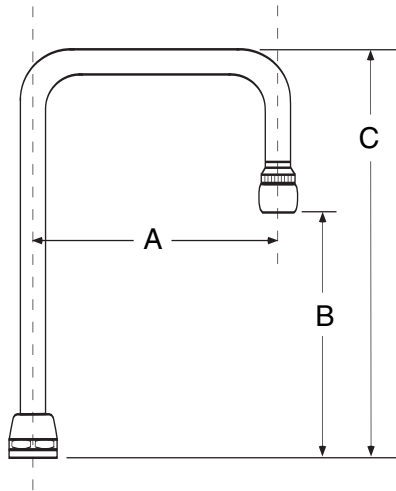
Installation:

1. Thoroughly grease spout o-rings with grease pack provided.
2. Insert spout into faucet with a twisting motion.
(Note: If stationary spout is desired, install friction washer into faucet outlet before inserting spout).
3. Tighten spout nut.
4. Flush the spout of any dirt or foreign material by removing the aerator and slowly turning on both hot and cold supplies.
5. Replace aerator.

NOTE: For double jointed spout part number S0012, grease the o-rings in both the upper and lower joints.

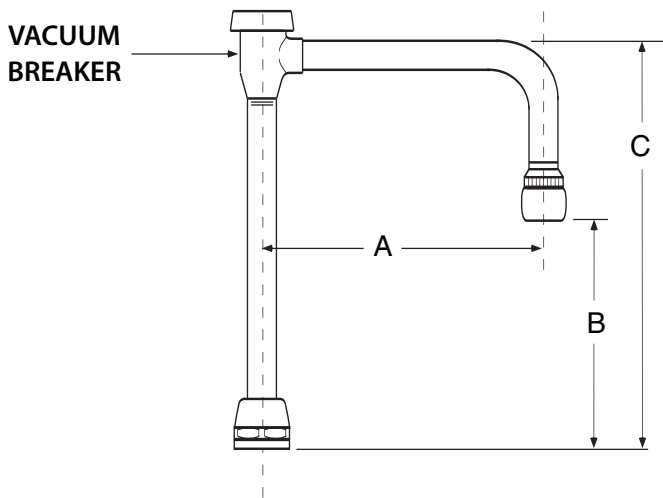
CAUTION: Always turn water off before disassembling the valve. Open both faucet handles to alleviate water pressure to insure that complete water shut-off has been accomplished.

Before turning water on during either rough-in or trim-out, make sure that the cartridge retainer nut is in place. The cartridge and retainer nut were properly installed and tested before leaving the factory. Although it is unlikely, it is nevertheless possible that through the handling of the valve by any number of persons the retainer nut may not be properly installed. This should be carefully checked at time of rough-in and trim-out. If the retainer nut is not properly installed, water pressure could force the cartridge out of the casting. Personal injury or water damage to the premises could result.



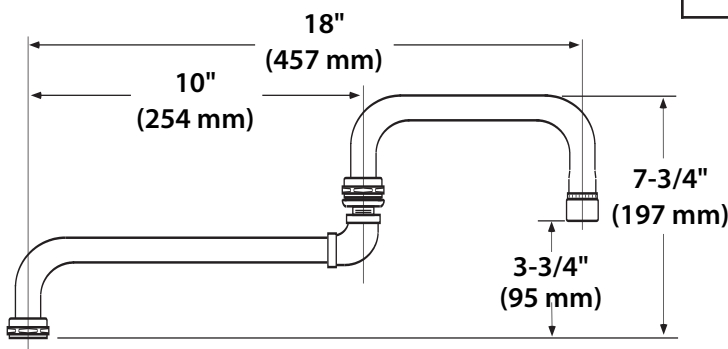
Model #	A	B	C
S0001	6"	3-3/4"	7-3/8"
S0002	6"	5"	9-1/8"
S0003	6"	5-3/4"	9-3/4"
S0004	6"	8-1/2"	12-3/8"
S0005	6"	16-3/4"	20-5/8"
S0006*	8"	-1/2"	3-1/8"
S0007	8"	6"	9-3/4"
S0008*	10"	-1/2"	3-1/8"
S0009	10"	5-3/4"	9-3/4"
S0010*	12"	-1/2"	3-1/8"
S0011	12"	6"	9-3/4"

* = Do not use with models 8123 & 8133



Model #	A	B	C
SV001	6"	3-3/4"	8-1/2"
SV003	6"	5-3/4"	10-1/2"
SV004	6"	8-7/8"	13-1/2"
SV005	6"	17"	21-3/4"
SV006*	8"	-1/2"	4"
SV007	8"	5-3/4"	10-1/2"
SV008*	10"	-1/2"	4"
SV009	10"	5-5/8"	10-1/2"
SV010*	12"	-1/2"	4"
SV011	12"	6"	10-1/2"
SV013	(Replacement spout for model 8123 only)		

* = Do not use with models 8123 & 8133



Model #	S0012
---------	-------

NOTE: Check local code requirements when selecting spout

