

**DESCRIPTION**

- Metal construction with chrome plated, LifeShine® brushed nickel or oil rubbed bronze finish
- 1/2" IPS connections will accept standard ball nose connection for 3/8" tubing
- Includes metal pop-up waste assembly
- Designed to be installed through 3, 1" min. dia. holes on 4" centers

**OPERATION**

- Lever style handles
- Maximum handle rotation angle is 90° to full on for either handle
- Rotate hot side handle counterclockwise to open and clockwise to close
- Rotate cold side handle clockwise to open and counterclockwise to close

**FLOW**

- Aerator is limited to 2.2 gpm max. (8.3 L/min)
- Features a laminar flow pattern for dramatic water presentation

**CARTRIDGE**

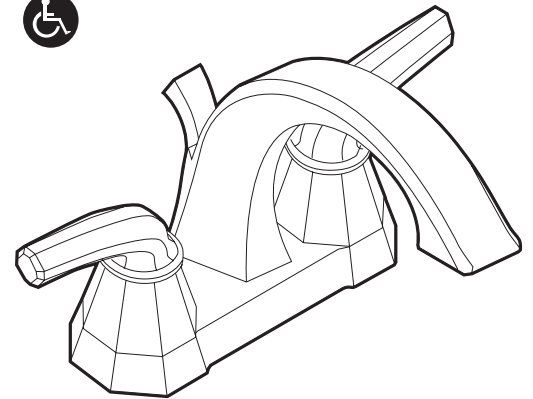
- 1224 cartridge design
- Nonmetallic/nonferrous and stainless steel materials

**STANDARDS**

- Third party certified to CSA B125, ASME A112.18.1M, ANSI A117.1 and all applicable requirements referenced therein
- Certified to ANSI/NSF 61/9
- Complies with California Proposition 65 and with the Federal Safe Drinking Water Act

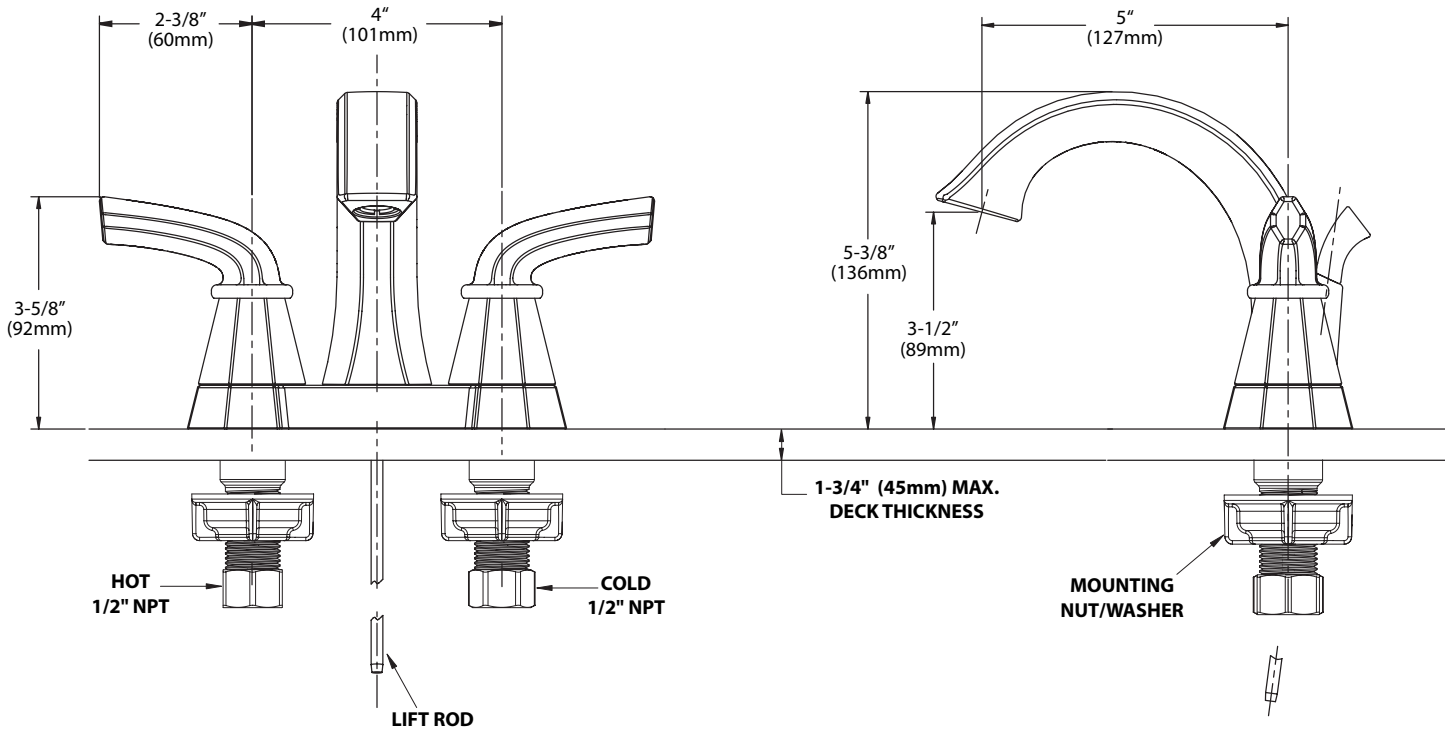
**WARRANTY**

- Lifetime limited warranty against leaks, drips and finish defects to the original consumer purchaser
- 5 year warranty if used in commercial installations



**Two-Handle Lavatory Faucet**

**Models: S442, S442BN, S442ORB**



**CRITICAL DIMENSIONS**

(DO NOT SCALE)