

DESCRIPTION

- Metal construction with various finishes identified by suffix
- Designed to be installed through 2, 1-1/4" min. dia. and 1, 1" min. dia holes, 8" on center
- Adjustable for non-8" centers
- Optional hot and cold temperature indicators available
- For use with S947 valve

OPERATION

- Lever handles
- Maximum handle rotation angle is 90° to full on for either handle
- Rotate hot side handle counterclockwise to open and clockwise to close
- Rotate cold side handle clockwise to open and counterclockwise to close


FLOW

- Aerator is limited to 1.5 gpm max. (5.6 L/min)

CARTRIDGE

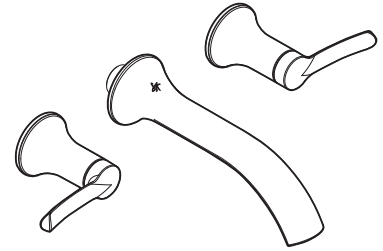
- 1224 cartridge design with nonmetallic/nonferrous and stainless steel materials

STANDARDS

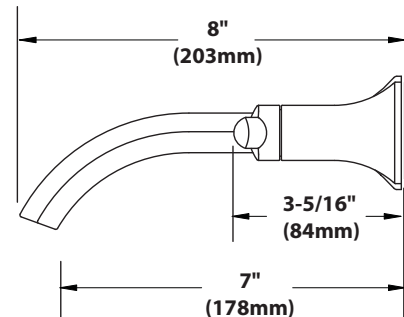
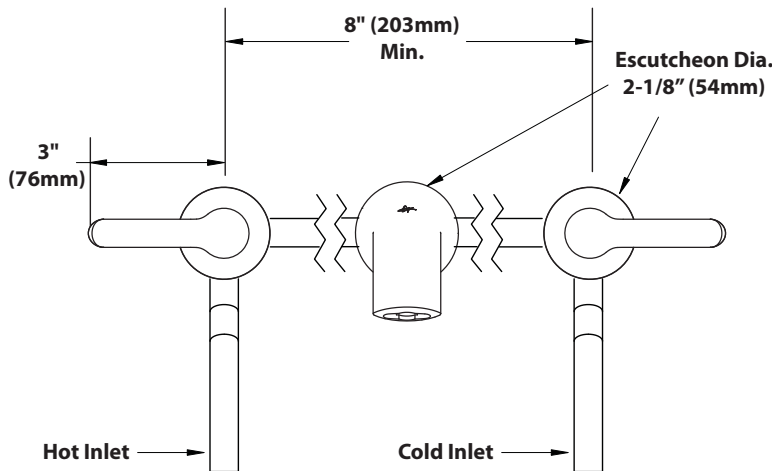
- Third party certified to CSA B125.1, ASME A112.18.1, ICC A117.1 and all applicable requirements referenced therein
- Certified to ANSI/NSF 61/9
- Complies with California Proposition 65 and with the Federal Safe Drinking Water Act
- ADA  for lever handles
- Third party certified to meet EPA criteria for water efficiency and performance

WARRANTY

- Lifetime limited warranty against leaks, drips and finish defects to the original consumer purchaser
- 5 year warranty if used in commercial installations



Fina[™]
Two-Handle Wall Mount Faucet Trim
Model: TS41706 Series
Valve: S947



MAX WALL THICKNESS
1-3/4" (45mm)



CRITICAL DIMENSIONS

(DO NOT SCALE)