

DESCRIPTION

- Metal construction with various finishes identified by suffix
- Includes 7" rainfall showerhead, arm, flange and diverter tub spout
- For use with S932 valve

OPERATION

- Handle operates counterclockwise through a 270° arc with off at 6 o'clock and maximum hot at the 9 o'clock position. Shut off in clockwise direction
- Adjustable temperature limit stop to control maximum hot water temperature
- Pressure balancing mechanism maintains selected discharge temperature to ± 3.6°F (± 2°C)


FLOW

- Showerhead is limited to 2.5 gpm max. (9.5 L/min)

CARTRIDGE

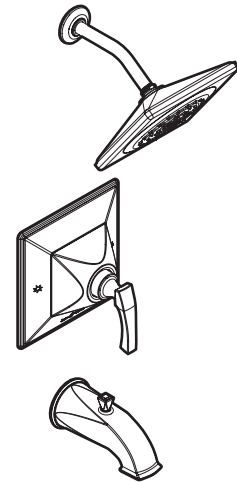
- 1222 cartridge design
- Nonmetallic/nonferrous and stainless steel materials
- Accommodates back to back installations

STANDARDS

- Third party certified to ASME A112.18.1/CSA B125.1 and all applicable requirements referenced therein, including ASSE 1016
- ADA  for lever handle

WARRANTY

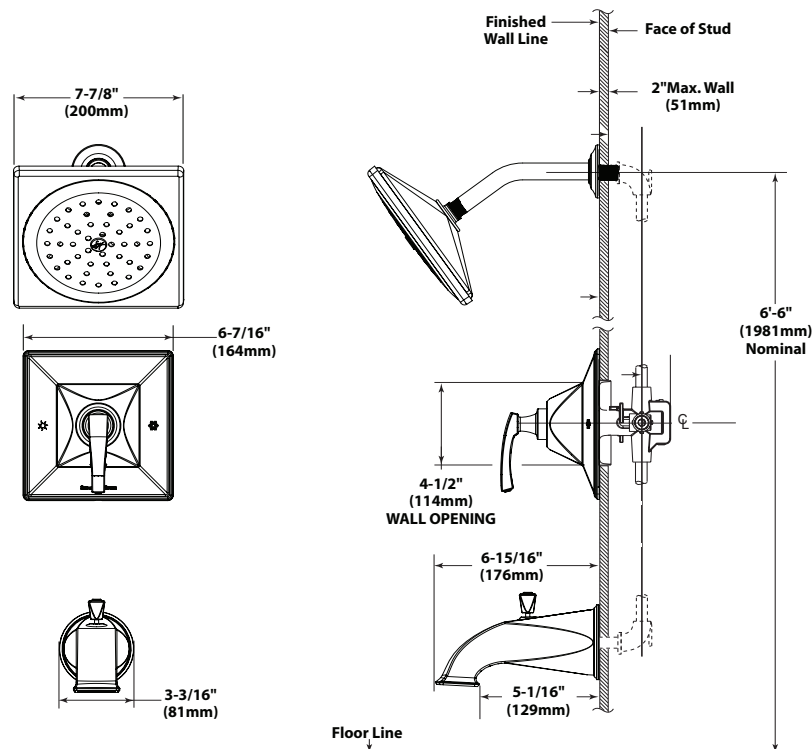
- Lifetime limited warranty against leaks, drips and finish defects to the original consumer purchaser
- 5 year warranty if used in commercial installations



**Divine™ Posi-Temp®
Single-Handle Tub/Shower (Trim Only)**

Models: TS350 series-valve trim only
TS352 series-shower trim only
TS354 series-tub/shower trim

Valve: S932



CRITICAL DIMENSIONS
(DO NOT SCALE)