

Waterhill™ Technical Specification

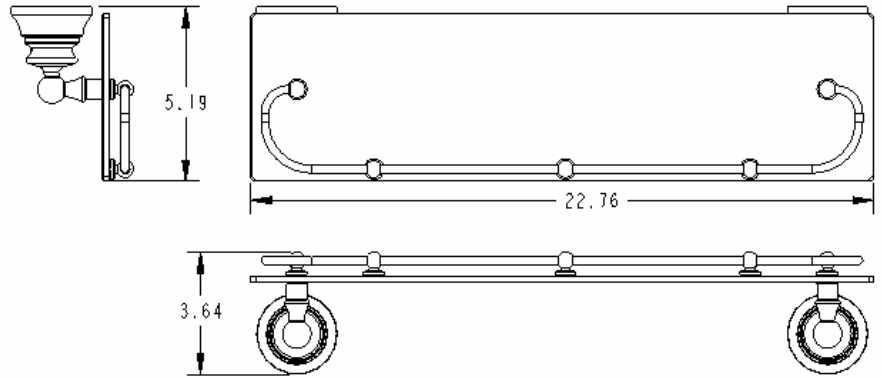
Glass Shelf w/ Pivoting Rail

YB9899

Stock Numbers:

- q **YB9899CH – Glass Shelf with Pivoting Rail**
Chrome Finish
- q **YB9899BN – Glass Shelf with Pivoting Rail**
Brushed Nickel Finish
- q **YB9899WR – Glass Shelf with Pivoting Rail**
Wrought Iron Finish

Dimensions:



Materials:

Glass Shelf with Pivoting Rail is constructed of zinc posts and rail. Shelf is tempered glass.

Installation Instructions:

1. Position the mounting template on the wall in the desired location. Using a level, align the template and tape it to the wall.
2. Remove each mounting post from the body by loosening the setscrew.
3. Place each mounting post on the template with notch facing down.
4. One at a time, place each anchor screw through the mounting post, centered in the hole. Using a Phillips screwdriver, turn the anchor screw while applying pressure. Screw will self drill and tap into drywall.
5. Only insert screw $\frac{1}{2}$ to $\frac{3}{4}$ into wall.
6. After all screws are installed, tear the template away from the wall.
7. Tighten all 4 screws. Do not over tighten.
8. Place skirt over each mounting post.
9. Assemble glass to each post by removing the pivoting rail. Loosen both setscrews below rail with the provided hex wrench. Re-assemble with glass shelf between both washers and finish by screwing the pivoting rail back

Cleaning Instructions:

To preserve the fine finish of this product, clean only with a soft damp cloth. Dry well. Do not use commercial or abrasive cleaners.

Stock Number: _____ **Glass Shelf w/ Pivoting Rail**
By Creative Specialties



25300 AL MOEN DRIVE • NORTH OLMSTED, OH 44070
CORPORATE HEADQUARTERS: (800) 321-8809 • FAX: (800) 848-6636
INTERNATIONAL: (440) 962-2000 • FAX: (440) 962-2726
CUSTOMER SERVICE (USA): 800-882-0116 • FAX: (888) 379-2720

©Copyright Creative Specialties International 2004

Literature #BA1190