



Buy it for looks. Buy it for life.®

Specifications

DESCRIPTION

- Handheld shower
- 69" double interlock spiral hose (metal)
- Vacuum breaker
- 30" slide bar with push button height selection
- Available in chrome, LifeShine® polished brass, LifeShine® brushed nickel, platinum, LifeShine® brushed bronze, chrome w/LifeShine® polished brass, LifeShine® satine, oil rubbed bronze or antique bronze finish

OPERATION

- 4-function: massage, vigorous, full and combination: rotate outer ring to select
- Wall bracket rotates to adjust angle of hand shower

FLOW

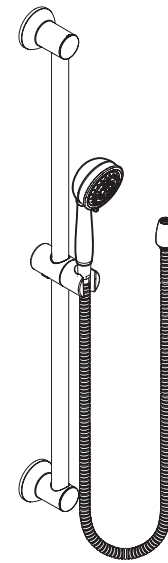
- Designed to deliver 2.5 gpm (9.5L/min) max. at 60 psi

STANDARDS

- Designed and manufactured to comply with the applicable requirements of: ASME A112.18.1/CSA B-125.1, ASSE 1014 and all applicable specifications referenced therein

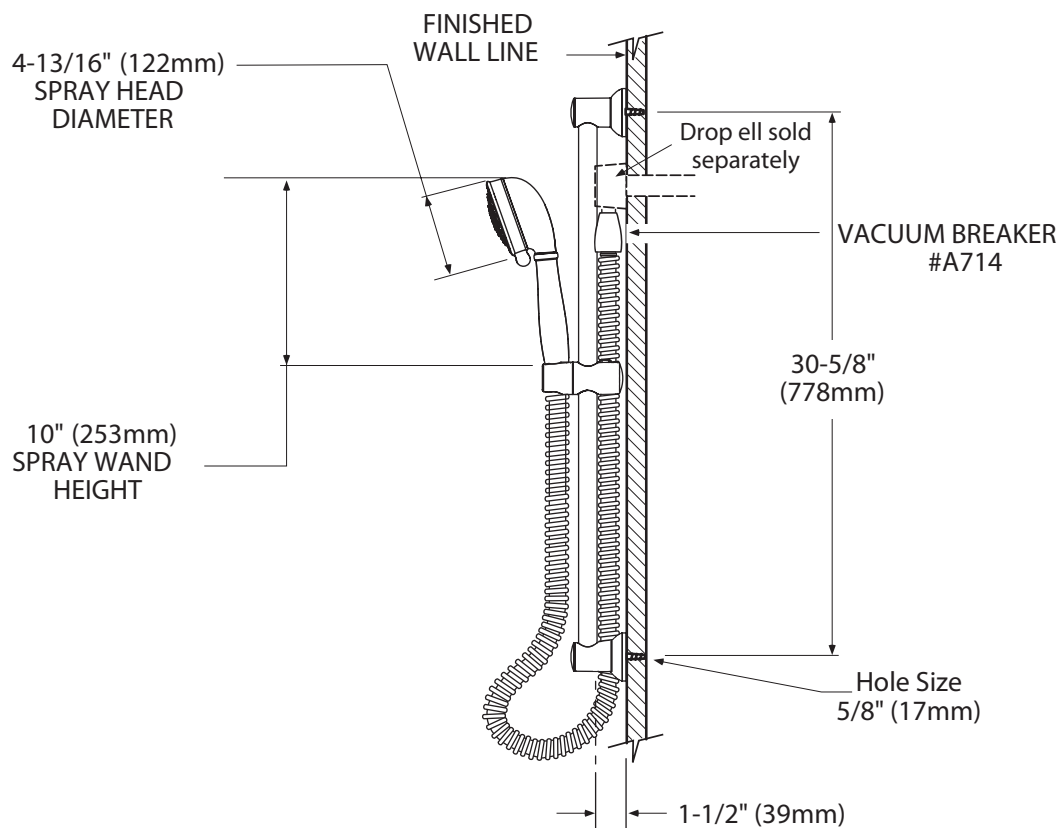
WARRANTY

- Warranted for one year against material or manufacturing defects



4-Function Massaging Handshower w/Slide Bar & Bracket

Models: 3867, 3867BB, 3867BN, 3867CP, 3867PM, 3867P, 3867ST, 3867ORB, 3867AZ



CRITICAL DIMENSIONS

(DO NOT SCALE)

FOR MORE INFORMATION CALL: 1-800-BUY-MOEN

www.moen.com



Buy it for looks. Buy it for life.®

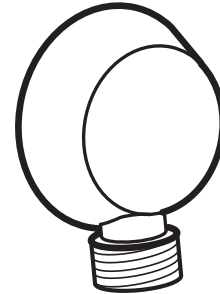
Specifications

DESCRIPTION

- Metal construction with chrome plated, antique nickel, antique bronze, LifeShine® brushed bronze, LifeShine® brushed nickel, LifeShine® hammered nickel, nickel, oil rubbed bronze, LifeShine® polished brass, platinum, pewter, LifeShine® satine, glacier or wrought iron finishes

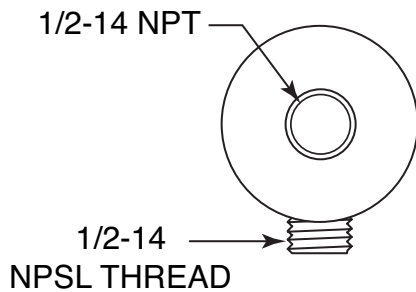
WARRANTY

- Warranted for one year against material or manufacturing defects

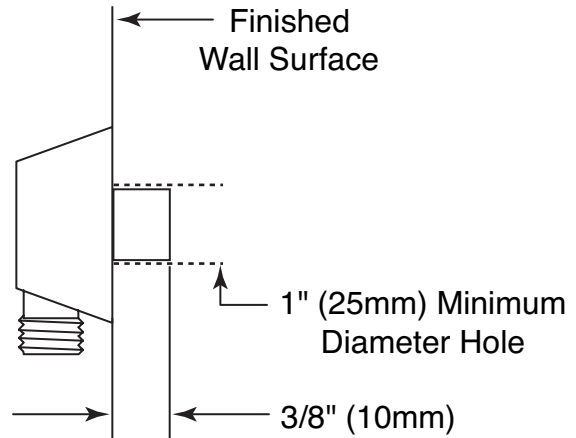


DROP ELL

Models: A725, A725AN, A725AZ, A725BB, A725BN, A725HN, A725NL, A725ORB, A725P, A725PM, A725PW, A725ST, A725W, A725WR



BACK VIEW



SIDE VIEW

CRITICAL DIMENSIONS

(DO NOT SCALE)



Buy it for looks. Buy it for life.®

Specifications

DESCRIPTION

- Metal construction with various finishes identified by suffix

OPERATION

- Pull-on/push-off operation of temperature and volume, rotational control of transfer valve
- Temperature operates through an 180° arc of handle travel (full cold to full hot)
- Adjustable temperature limit stop to control maximum hot water temperature
- 180° rotation of transfer valve handle with stops
- Pressure balancing mechanism maintains selected discharge temperature to $\pm 3.6^\circ\text{F}$ ($\pm 2^\circ\text{C}$)

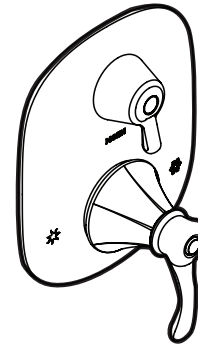
STANDARDS

- Third party certified by CSA to meet CSA B-125, ASME A112.18.1M

- **ADA**  for lever handles

WARRANTY

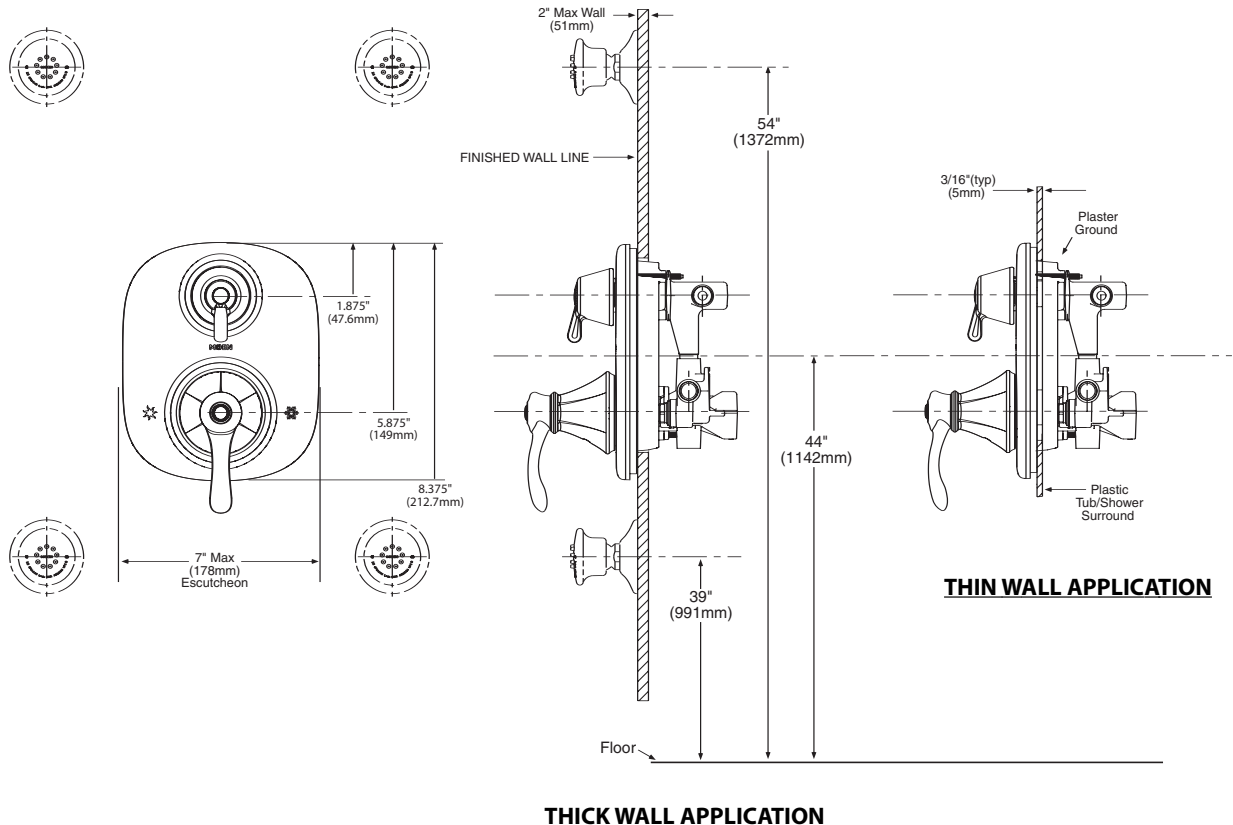
- Lifetime limited warranty against leaks, drips and finish defects to the original consumer purchaser
- 5 year warranty if used in commercial installations



VESTIGE™ MOENTROL® with Built-In 3 Function Transfer Valve Trim

Models: T4113 series

Valves: 3330 series,
3320 series



CRITICAL DIMENSIONS

(DO NOT SCALE)