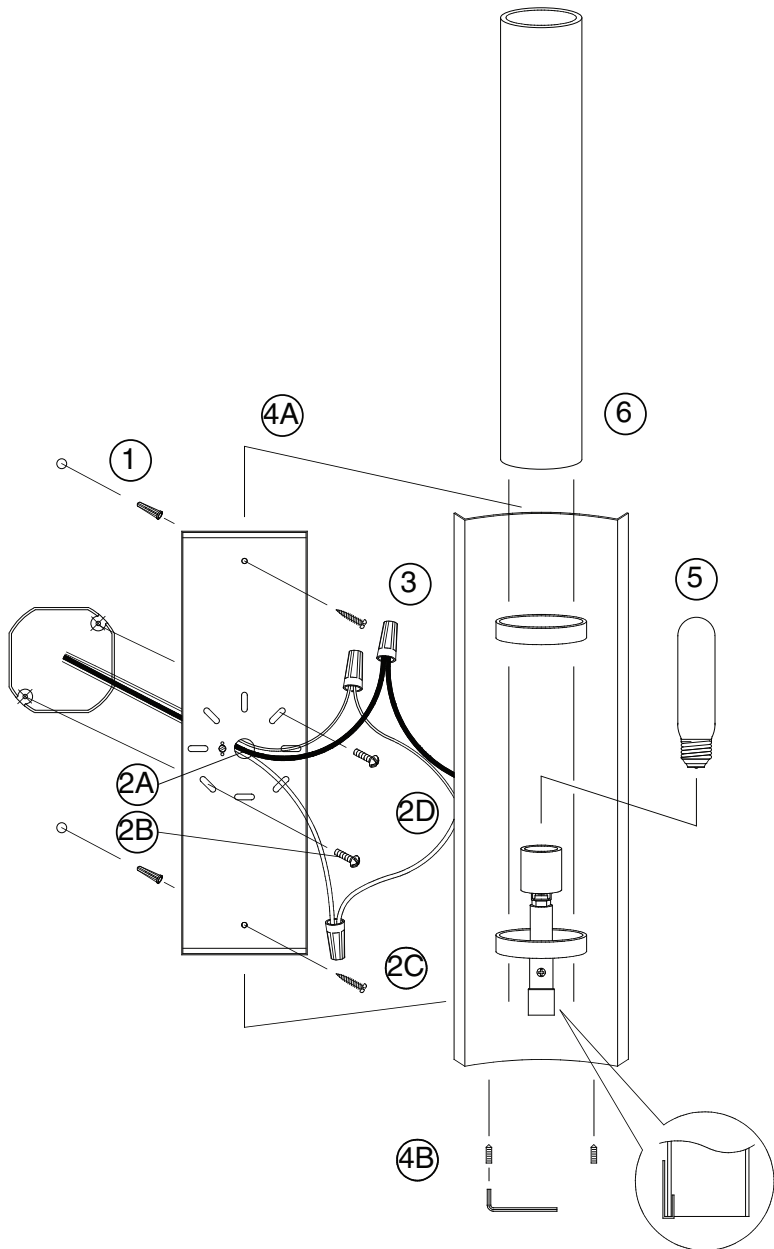


Assembly Instructions For **WB1479** (E) 11/09



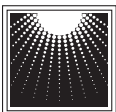
IMPORTANT **TURN OFF THE POWER AT THE MAIN FUSE OR** **CIRCUIT BREAKER BOX** **BEFORE STARTING INSTALLATION**

Carefully unpack and identify all parts before assembly. Bulb not included.

1. Install anchor (included):
 - A. Hold mounting plate up against the wall aligning the two holes in the wall outlet box with appropriate slots in the mounting plate. Then while the mounting plate is leveled vertically, use a pen or pencil to mark on the wall the holes located near each end of mounting plate.
 - B. Remove the mounting plate and set aside.
 - C. Drill marked spots. If drywall or masonry wall then use 1/4" (7 mm) drill bit; if wood wall then use 1/8" (4 mm) drill bit.
 - D. Drywall or masonry wall only: Insert plastic anchor into pre-drilled holes.
2. Install mounting plate:
 - A. Take supply wires from outlet box and carefully pass them through center hole of mounting plate. Note: the flat surface of mounting plate must face the wall and the angled rim side facing toward you.
 - B. Install mounting plate to outlet box using two screws supplied with the outlet box.
 - C. Secure mounting plate onto pre-drilled holes using sheet metal screws (included).
 - D. Then Spread electrical wires so that black wires are on one side of the outlet box and the white wires are on the other side.
3. Connect electrical wires:
 - A. Connect white fixture wire to white supply wire from outlet box with wire connector. Connect black fixture wire to black supply wire from outlet box with wire connector. NOTE: Black outlet box wire may be red, round and smooth and/or have copper conductor. White outlet box wire may be square and ridged and/or have a silver conductor.
 - B. Connect fixture ground wire (without plastic insulation) to ground wire from outlet box (usually with green insulation) with wire connector.

Note: If there is no supply ground wire at outlet box then attach fixture ground wire securely onto green grounding screw located at mounting plate.

IMPORTANT: Never connect ground wire to black or white supply wires (from outlet box).
4. Install fixture:
 - A. Hook top of fixture frame onto top edge of mounting plate.
 - B. Then secure bottom of fixture frame by fastening set screw. Use provided hex key to tighten.
5. Install type T-10 of medium base light bulb (not included). See relamping label at socket area for maximum allowed wattage.
6. Slide glass shade through top ring until it checks onto bottom tab.



MURRAY
F E I S S

GENERATION
BRANDS