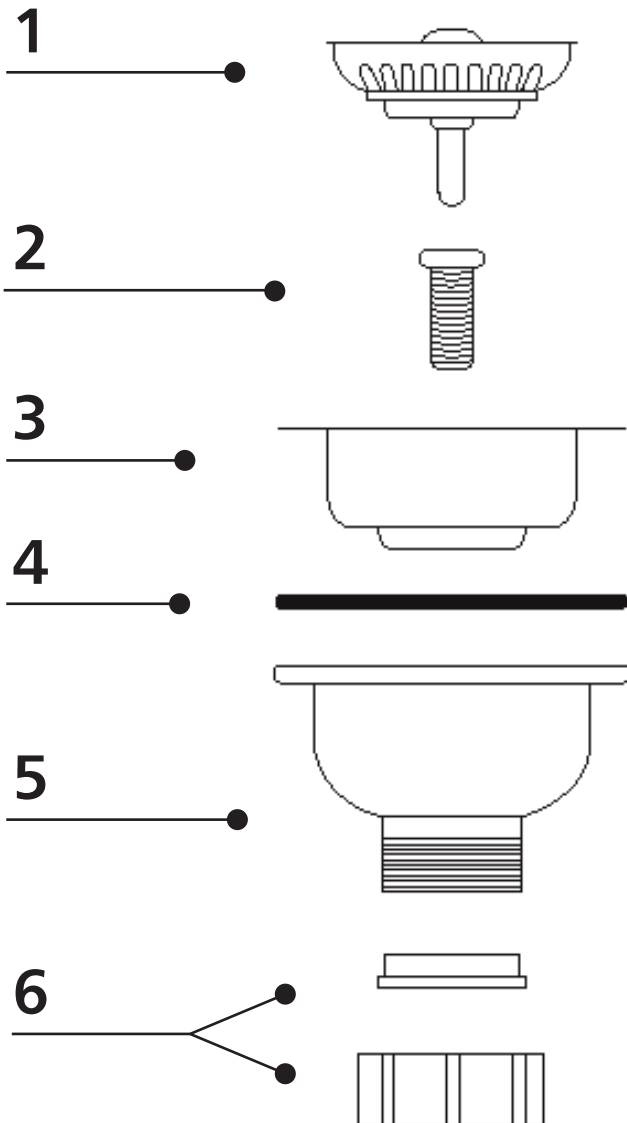


INSTALLATION INSTRUCTIONS

3.5" Basket Strainer, DR320



1. Apply a small bead of 100% silicone (non-water based) to the underside of strainer body flange (3).
2. Place strainer body (3) into sink.
3. Place rubber seal (4) on top of drain cup (5).
4. Place tightening screw (2) into center of strainer body (3) and secure.
5. Lubricate (1) with liquid soap. Place strainer basket (1) into strainer body (3).
6. Attach drainpipe (not shown) to drain cup (5) using nut (6).

Remove all excess silicone around the drain after the drain has been installed