

## Bidet Faucet

# G27-008



### Features

- Solid brass construction
- Brass valve bodies
- Quarter-turn washerless ceramic disc valve cartridges
- ADA compliant traditional cross handles
- Basin-mounted aerated spray nozzle and pop-up drain with tailpiece
- Code compliant vacuum breaker
- 2.4 gallons (9.1 liters) per minute minimum flow rate



### Codes / Standards Compliance

Meets or exceeds the following at date of manufacture:

- ASME A112.18.1/CSA B125.1
- IAPMO/cUPC
- IPC
- ADA
- ICC/ANSI A117.1
- CSA B64
- All applicable US Federal and State material regulations

### Colors / Finishes

- PN: Polished Nickel
- SN: Satin Nickel
- PC: Polished Chrome
- ORB: Oil Rubbed Bronze
- Other: Refer to the Ginger catalog for additional color/finish options.

### Specified Model

Model	Description	Colors / Finishes
G27-008	Bidet Faucet	<input type="checkbox"/> PN <input type="checkbox"/> SN <input type="checkbox"/> PC <input type="checkbox"/> ORB <input type="checkbox"/> Other

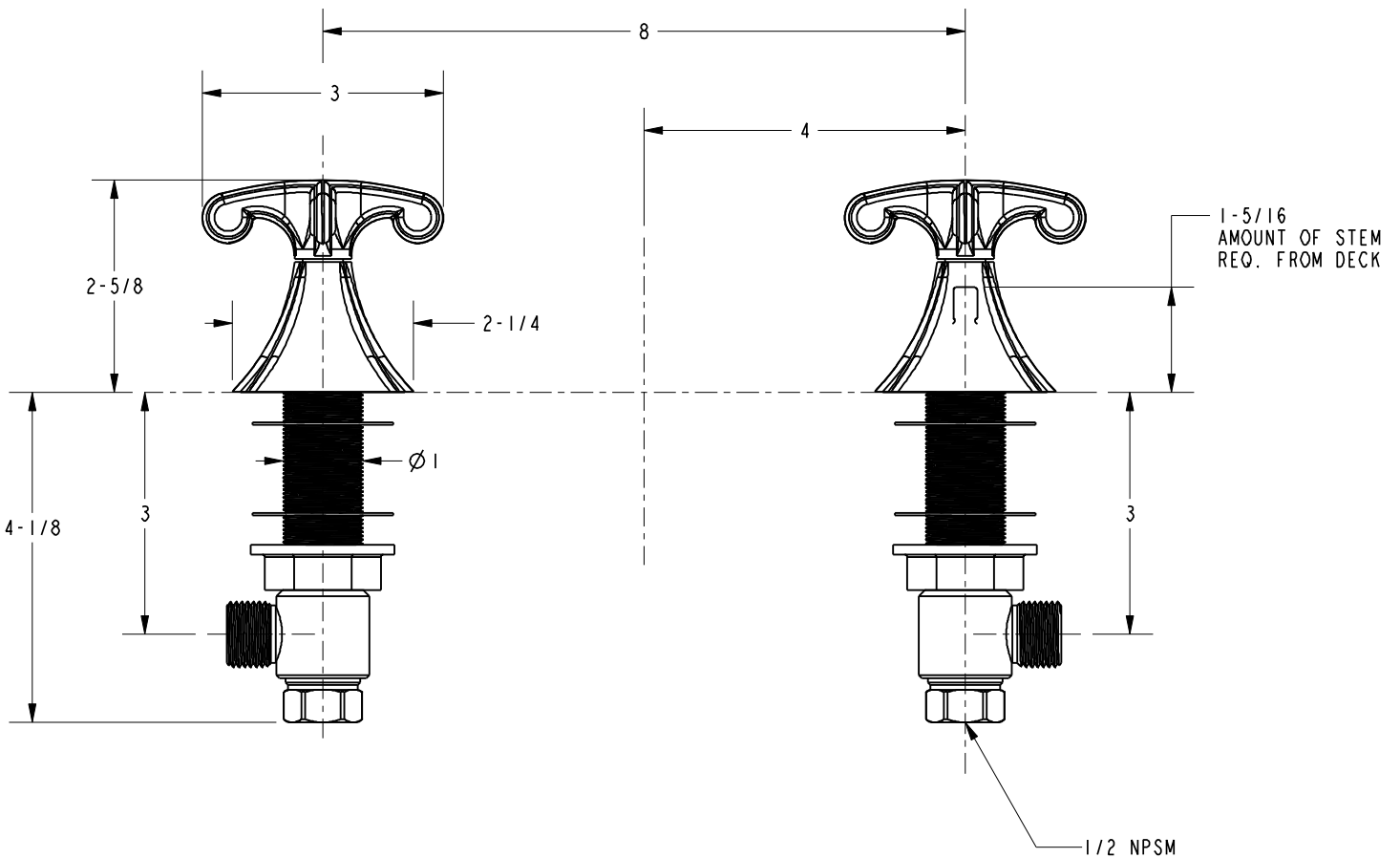
### Product Specification:

Add "Color / Finish" suffix to Model number, below.

The Bidet Faucet shall be made of solid brass construction. Bidet Faucet shall feature brass valve bodies with quarter-turn, washerless ceramic disc valve cartridges. Bidet Faucet shall have a 2.4 gallons (9.1 liters) per minute minimum flow rate from a basin-mounted aerated spray nozzle. Bidet Faucet shall incorporate a code compliant vacuum breaker and a pop-up drain and tailpiece. Bidet Faucet shall incorporate ADA compliant lever handles and shall be Ginger Model G27-008/\_\_\_\_\_.

# G27-008

Product Dimensions (units are in inches)



Circe Bidet Faucet  
**G27-008**

page 2 of 2 spec\_G27-008

**GINGER**

t: 949.417.5207 | www.gingerco.com

©2011 Brasstech, Inc.