

# C O L U M N A R <sup>TM</sup>

## I N S T A L L A T I O N   I N S T R U C T I O N S

LAVATORY SET  
MODEL: G45-001



COMPLEMENT THIS PRODUCT WITH THESE  
COORDINATING ACCESSORIES:

sconce lights • mirrors • towel bars and rings • toiletry shelves and trays  
toilet tissue holders • robe hooks • hotel shelves • grab bars  
soap dishes and dispensers • tumblers • toothbrush holders • curtain rod holders

# GINGER<sup>®</sup>

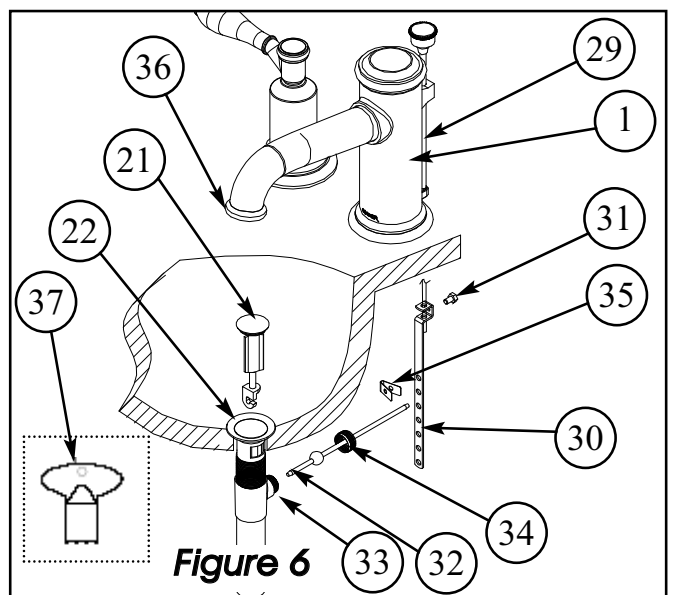
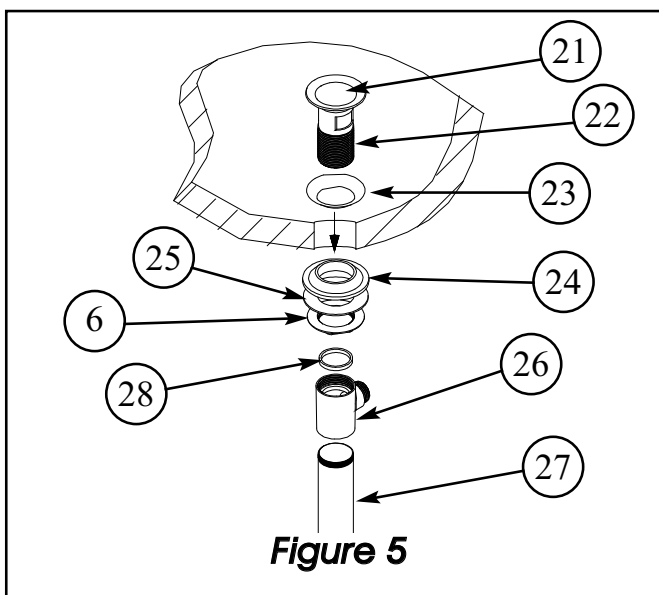
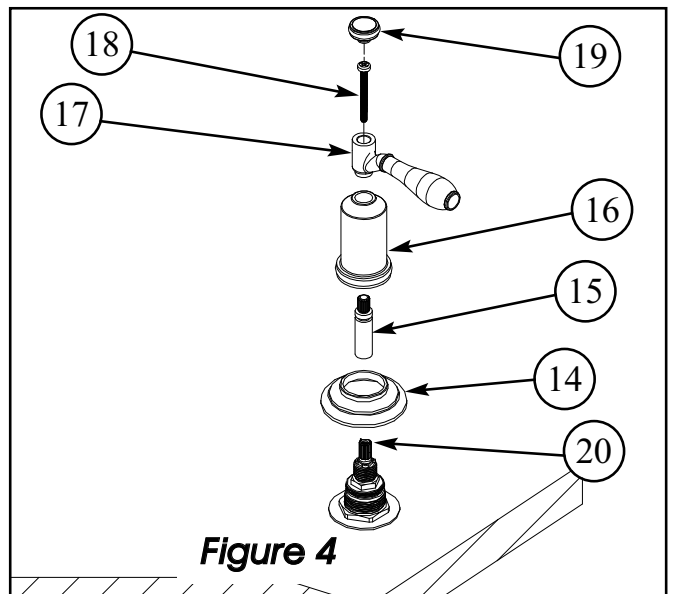
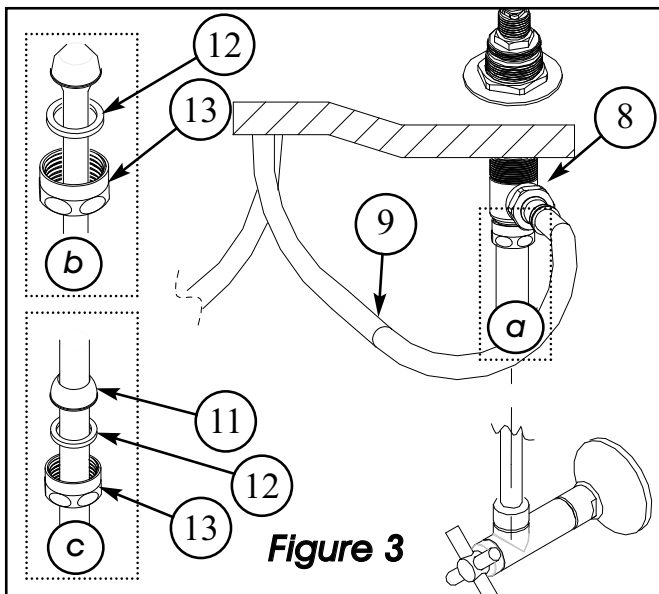
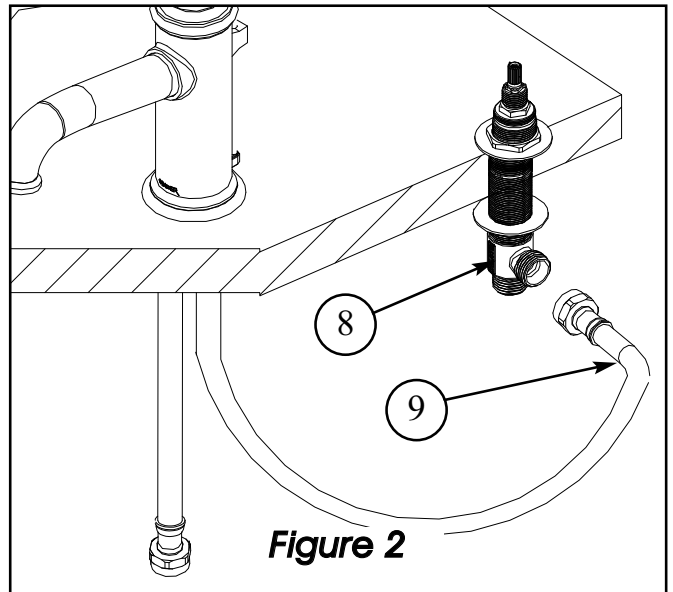
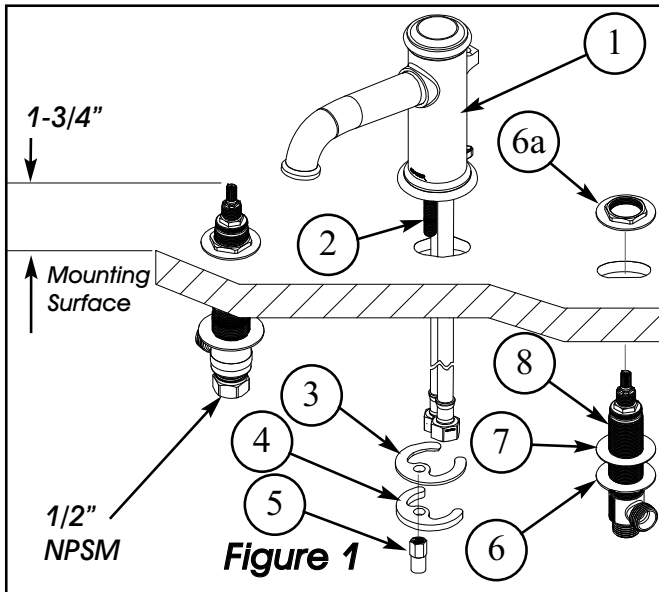
PATENT PENDING

## **We recommend Installation of this product by a Professional Plumbing Contractor**

**Note:** The use of petroleum based plumber's putty on our products will nullify the warranty.  
We recommend the use of clear silicone sealing materials.  
Recommended deck through-hole  $\varnothing$  1-3/8".

- Insert SPOUT (1) hoses and Threaded ROD (2) through hole in mounting surface. Threaded ROD (2) to be oriented to the front of faucet, toward the sink. Place GASKET (3), CRESENT (4) and NUT (5) onto Threaded ROD (2) and tighten with a wrench. See Fig. 1.
- Place flange NUT (6) and fiber WASHER (7) on valve BODY (8). Insert valve BODY (8), (blue/cold and red/hot), through the hole in the mounting surface. Adjust and secure with FLANGE NUT (6a) so that the top of VALVE (8) is 1-3/4" above the top of mounting surface before tightening down flange NUT (6). See Figure 1.
- 
- Connect the loose end of flexible HOSE (9) to side outlet of valve BODY (8). (Hand-tighten and secure each connection with a wrench 1/4 turn.) Repeat on other side. See Figure 2.
- 
- Connect hot/cold water supply to appropriate 1/2" NPSM valve BODY (8), utilizing one of the three following types of risers. Supply risers not included. See Figure 3.
  - a. 1/2" IPS flexible riser: discard rubber nosecone WASHER (11), friction WASHER (12) and coupling NUT (13).
  - b. 3/8" or 1/2" OD bullnose riser: utilize friction WASHER (12) and coupling NUT (13).
  - c. 1/2" copper riser: utilize rubber nosecone WASHER (11), friction WASHER (12) and coupling NUT (13).
- 
- Install ESCUTCHEON (14), place broached ROD (15) with o-ring onto STEM (20). Tighten BONNET (16) over ROD (15) and onto ESCUTCHEON(14). Install LEVER (17) over BONNET (16). Align & secure with SCREW (18). Press end CAP (19) with o-ring into top of LEVER (17).

**Note:** Any adjustments for rotational alignment must be made to the valve BODY (8), not to the CARTRIDGE (20). See Figure 4.
- 
- Remove drain PLUG (21) from FLANGE (22). Place FLANGE (22) and white WASHER (23) through sink drain opening. (Clear silicone may be used in place of white washer.) From bottom side of sink, place cone shaped rubber WASHER (24) onto FLANGE (22) and slide up against sink bottom. Note: Cone portion of washer should face upward. Next slide on clear flat WASHER (25) and secure with flange NUT (6). Place clear WASHER (28) into drain BODY (26) and tighten to FLANGE (22). Apply thread sealant to TAILPIECE (27) and attach to drain BODY (26). Attach TAILPIECE (27) to p-trap drain, not included. See Figure 5.
- 
- Insert ball ROD (32) into the drain rod OPENING (33); secure with ball rod NUT (34). Insert pop-up ROD (29) through SPOUT (1) and secure to STRAP (30), approximately 1" from end of ROD (29), with SCREW (31). Place drain PLUG (21) into FLANGE (22). Adjust the rise of the plunger and CLIP (35) into place. Adjust ball ROD (32) and pop-up ROD (29) so drain will open and close properly. See Figure 6.
- 
- Remove AERATOR (36) from SPOUT (1), utilizing aerator KEY (37). Turn on water supply, and flush both VALVES (7) until water is clear. Check for leaks and make any final adjustments required. Re-attach AERATOR (36) to the SPOUT (1) using aerator KEY (37). See Figure 6.



## **Ginger® Product Care**

Simple care is all that is needed in maintaining this product. Abrasive cleansers, detergents and silver or brass polish may result in damage to the finish and therefore should not be used. To clean, simply wipe with a soft, water-dampened cloth. Ginger hand, deck and wall shower sprays feature easy-cleaning jets. The jets should be cleaned periodically by rubbing your thumb or a damp cloth across the jets to loosen mineral deposits. Run the shower spray briefly to purge the loosened deposits.

## **Limited Warranty**

Ginger warrants to the original consumer residential purchaser ("Original Purchaser") that if a Ginger product ("Product") is confirmed upon inspection to be defective in materials or workmanship during the warranty periods described below, Ginger will, at its option, either repair or replace the Product with a similar current model of the Product. If repair or replacement is not commercially practical or cannot be made in a timely manner, then Ginger will provide a refund for the Product.

## **Warranty Periods and Coverage**

### **Product Finishes**

- PVD and Polished Chrome (PC) finishes on Products other than Drains are warranted as long as the Original Purchaser owns their home.
- All other finishes are warranted for ten (10) years from date of purchase by the Original Purchaser.

### **Drain Finishes**

- Polished Chrome (PC), Satin Nickel (SN) and Polished Brass (PB) finishes on bath or lavatory drains of all types ("Drains") are warranted for one (1) year from date of purchase by the Original Purchaser.
- All other Drain finishes have no warranty.

### **Functionality**

- All Product parts except valves are warranted for ten (10) years from date of purchase by the Original Purchaser.
- Ceramic disc valves for the lavatory faucet, tub/shower and roman tub are warranted for as long as the Original Purchaser owns the home.
- All other valves (balance pressure, thermostatic, etc.) are warranted for one (1) year from date of purchase by the Original Purchaser.

## **Exclusions from Coverage**

***This Warranty does not cover labor charges or associated costs for, or damages occurring during the removal, transportation, return or installation of Products or replacement Products.***

*This Warranty does not cover damage or defects due to normal wear and tear, misuse, abuse, hard water, improper storage, improper handling, improper maintenance\*, improper installation\*\* or uses other than normal household usage\*\*\*.*

*This Warranty is not transferable.*

## **Limitations on Remedies**

***In no event will Ginger be liable for incidental or consequential damages (such as labor charges), whether based on breach of express or implied warranty, breach of contract, negligence, strict liability or any other legal theory.*** Some states do not allow the exclusion or limitation of incidental or consequential damages, so, the above limitation or exclusion may not apply to you.

*Any implied warranties, including the implied warranties of merchantability and fitness for a particular purpose, are limited to the duration of this written warranty. Some states do not allow limitations on how long an implied warranty may last, so the above limitation may not apply to you.*

## **Warranty Service**

To obtain service under this Warranty, please contact your Product dealer. If you are unable to locate your dealer, please call 800-842-4872 or access the Ginger website at [www.gingerco.com](http://www.gingerco.com). Proof of purchase, such as the original purchase order, is required to issue credit to the distributor.

## **State Remedies**

*This Warranty gives you specific legal rights, and you may have other rights which vary from state to state.*

\* **Maintenance** Proper maintenance is required to preserve all finishes. Do not use any abrasive cleaners, alcohol, ammonia, detergents, or brass or silver polish on the Products. For complete care requirements and recommendations, please visit our website at [www.gingerco.com](http://www.gingerco.com).

\*\* **Proper Installation** Products must be installed in accordance with the manufacturer's installation instructions supplied with the Products. For example, pipes must be flushed before faucet installations, because solder and other debris may damage ceramic discs. You may also call 800-842-4872 for copies of the installation instructions. Many of our installation instructions are also available on our website, [www.gingerco.com](http://www.gingerco.com).

\*\*\* **Commercial Purchasers** Ginger extends the above limited warranty to purchasers of Products for industrial, commercial and business use upon the same terms and conditions and exclusions applicable to residential purchasers, except that the finish and functionality warranty periods are reduced to a period of one (1) year from the date of purchase. **Additionally, with respect to commercial purchasers, all implied warranties, including the implied warranties of merchantability and fitness for a particular purpose are excluded and disclaimed.**