

Features

- Solid brass construction
- Face plate with ADA compliant traditional cross handle and diverter pull-knob
- ADA compliant traditional cross handle assembly and insert options for control valve
- Intended for use with Newport Brass rough valve(s) as specified (Required Accessory)

Codes / Standards Compliance

Meets or exceeds the following at date of manufacture:

- ASME A112.18.1/CSA B125.1
- ICC/ANSI A117.1
- IAPMO/cUPC
- ASSE 1016
- IPC
- All applicable US Federal and State material regulations
- ADA

Colors / Finishes

- 10B: Oil Rubbed Bronze
- 15: Polished Nickel
- 15A: Antique Nickel
- 26: Polished Chrome
- Other: Refer to the Newport Brass catalog for additional color/finish options.

Tub and Shower Trim
(less showerhead, arm & flange)

4-922BP

Also 3-163, 3-163B, 2-532



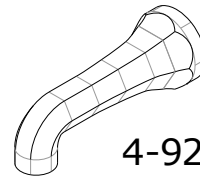
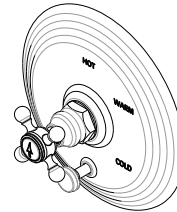
2-532



3-163B



3-163



4-922BP

Specified Model

Model	Description	Colors / Finishes				
4-922BP	Tub and Shower Trim (less showerhead, arm & flange)	<input type="checkbox"/> 10B	<input type="checkbox"/> 15	<input type="checkbox"/> 15A	<input type="checkbox"/> 26	<input type="checkbox"/> Other
3-163	Shower System Control Valve Trim (Escutcheon/Handle, Arrow Insert)	<input type="checkbox"/> 10B	<input type="checkbox"/> 15	<input type="checkbox"/> 15A	<input type="checkbox"/> 26	<input type="checkbox"/> Other
3-163B	Shower System Control Valve Trim (Escutcheon/Handle, Plain Insert)	<input type="checkbox"/> 10B	<input type="checkbox"/> 15	<input type="checkbox"/> 15A	<input type="checkbox"/> 26	<input type="checkbox"/> Other
2-532	Optional Metal Insert for System Control Valve Trim	<input type="checkbox"/> 10B	<input type="checkbox"/> 15	<input type="checkbox"/> 15A	<input type="checkbox"/> 26	<input type="checkbox"/> Other

Required Accessory: Trim(s), above, and Rough Valve(s), below, must be specified.

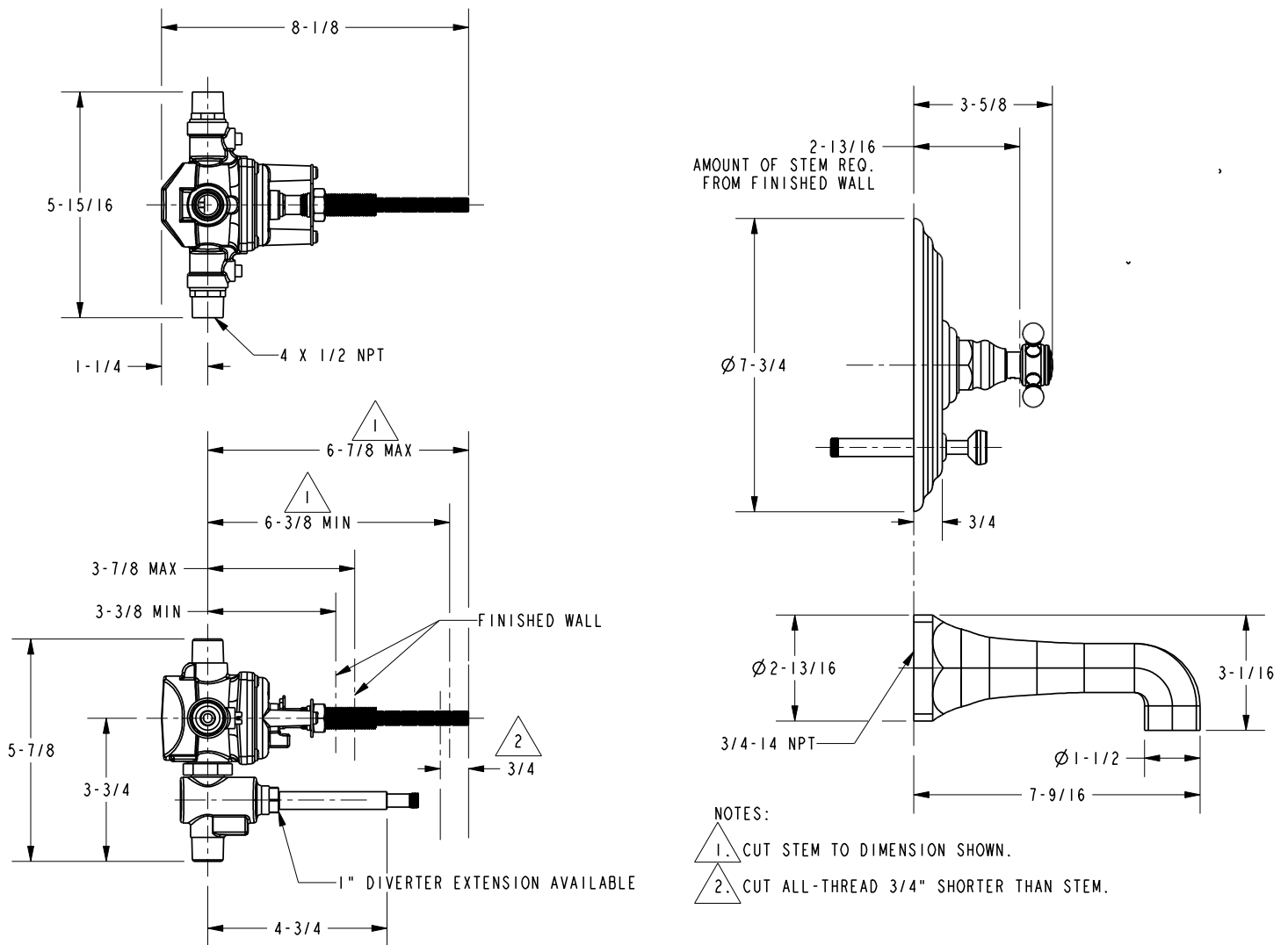
Application	Tub Only Valve*	Shower (or Tub) Valve	Tub & Shower Valve	Shower System Valve	Control Valve
Description	2-Cartridge Assembly	Balance Pressure (BP)	BP w/ Diverter	Thermostatic	Diverter (3/4 port)
Inlet/Outlet Size	1/2"	1/2"	1/2"	3/4"	1/2"
Part Number	<input type="checkbox"/> NA	<input type="checkbox"/> NA	<input type="checkbox"/> 1-595	<input type="checkbox"/> NA	<input type="checkbox"/> 1-617
Image					

Product Specification: Add "Color / Finish" suffix to Model number, below.

The single-control Tub and Shower Trim (less showerhead, arm & flange) shall be made of solid brass construction. Tub and Shower Trim (less showerhead, arm & flange) shall include faceplate with ADA compliant handle and diverter pull-knob. Shower System Control Valve Trim(s) (Escutcheon/Handle) shall be ADA compliant when used with specified Shower System Control Valve. Tub and Shower Trim (less showerhead, arm & flange) shall be Newport Brass Model 4-922BP/____ and single-control Tub and Shower rough valve shall be Newport Brass Model 1-595. Shower System Control Valve Trim (Escutcheon/Handle) shall be 3-163____/____ and Shower System Control Valve shall be 1-617. [Metal Insert for System Control Valve Trim (Escutcheon/Handle) shall be 2-532/____.]

4-922BP

Product Dimensions (units are in inches)



Astor Tub and Shower Trim (less showerhead, arm & flange)
4-922BP

page 2 of 2 spec_4-922BP_rev-b

NEWPORT BRASS
 Flawless Beauty. From Faucet to Finish.™

t: 949.417.5207 | www.newportbrass.com

©2014 Brasstech, Inc.