

# EAST LINEAR

## Tub and Shower Trim

# 3-992BP

Also 3-227, 3-227LC, 3-227LH

### Features

- Solid brass construction
- Face plate with ADA compliant contemporary cross handle and diverter pull-knob
- 2.0 gallons (7.6 liters) per minute maximum flow rate showerhead
- ADA compliant contemporary cross and lever handle assembly options for control valve
- Intended for use with Newport Brass rough valve(s) as specified (Required Accessory)

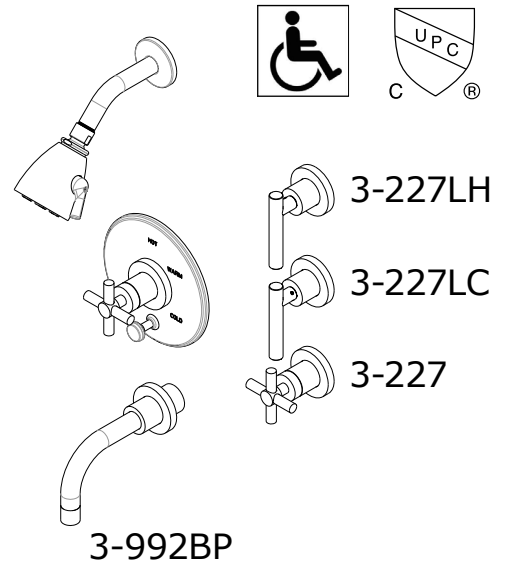
### Codes / Standards Compliance

Meets or exceeds the following at date of manufacture:

- ASME A112.18.1/CSA B125.1
- IAPMO/cUPC
- IPC
- ADA
- ICC/ANSI A117.1
- ASSE 1016
- Energy Policy Act of 1992
- All applicable US Federal and State material regulations

### Colors / Finishes

- 10B: Oil Rubbed Bronze
- 15: Polished Nickel
- 15S: Satin Nickel
- 26: Polished Chrome
- Other: Refer to the Newport Brass catalog for additional color/finish options.



### Specified Model:

| Model   | Description  | Colors / Finishes  |
|---------|--|--|
| 3-992BP | Tub and Shower Trim  | <input type="checkbox"/> 10B <input type="checkbox"/> 15 <input type="checkbox"/> 15S <input type="checkbox"/> 26 <input type="checkbox"/> Other |
| 3-227   | Shower System Control Valve Trim (Escutcheon/Handle)       | <input type="checkbox"/> 10B <input type="checkbox"/> 15 <input type="checkbox"/> 15S <input type="checkbox"/> 26 <input type="checkbox"/> Other |
| 3-227LC | Shower System Control Valve Trim (Escutcheon/Handle, Cold) | <input type="checkbox"/> 10B <input type="checkbox"/> 15 <input type="checkbox"/> 15S <input type="checkbox"/> 26 <input type="checkbox"/> Other |
| 3-227LH | Shower System Control Valve Trim (Escutcheon/Handle, Hot)  | <input type="checkbox"/> 10B <input type="checkbox"/> 15 <input type="checkbox"/> 15S <input type="checkbox"/> 26 <input type="checkbox"/> Other |

### Required Accessory:

Trim(s), above, and Rough Valve(s), below, must be specified.

| Application       | Tub Only Valve*             | Shower (or Tub) Valve       | Tub & Shower Valve             | Shower System Valve         | Control Valve                  |
|-------------------|-----------------------------|-----------------------------|--------------------------------|-----------------------------|--------------------------------|
| Description       | 2-Cartridge Assembly        | Balance Pressure (BP)       | BP w/ Diverter                 | Thermostatic                | Diverter (3/4 port)            |
| Inlet/Outlet Size | 1/2"                        | 1/2"                        | 1/2"                           | 3/4"                        | 1/2"                           |
| Part Number       | <input type="checkbox"/> NA | <input type="checkbox"/> NA | <input type="checkbox"/> 1-595 | <input type="checkbox"/> NA | <input type="checkbox"/> 1-617 |
| Image             |                             |                             |                                |                             |                                |

### Product Specification:

Add "Color / Finish" suffix to Model number, below.

The single-control Tub and Shower Trim shall be made of solid brass construction. Tub and Shower Trim shall include showerhead with arm and flange, tub spout and faceplate with ADA compliant handle and diverter pull-knob. Showerhead shall have a maximum flow rate of 2.0 gallons (7.6 liters) per minute. Shower System Control Valve Trim(s) (Escutcheon/Handle) shall be ADA compliant when used with specified Shower System Control Valve. Tub and Shower Trim shall be Newport Brass Model 3-992BP/\_\_\_\_ and single-control Tub and Shower rough valve shall be Newport Brass Model 1-595. Shower System Control Valve Trim(s) (Handle/Escutcheon) shall be 3-227\_\_\_\_/\_\_\_\_ (and 3-227\_\_\_\_/\_\_\_\_) and Shower System Control Valve shall be 1-617.

# 3-992BP

## Product Dimensions (units are in inches)

NOTES:

- 1. CUT STEM TO DIMENSION SHOWN.
- 2. CUT ALL-THREAD 3/4" SHORTER THAN STEM.

