

# ALVESTON

## Roman Tub Deck Trim

# 3-896



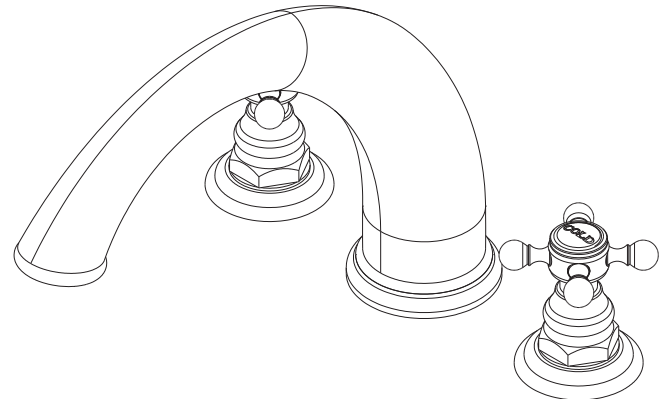
### Features

- Solid brass construction
- ADA compliant traditional cross handles
- 4-7/8" (12.4 cm) spout height at outlet
- 9-7/16" (24.0 cm) spout reach (c-c)
- Intended for use with Newport Brass rough valve kit (Required Accessory) which incorporates the following:
  - Brass valve bodies and quick-connect spout fitting
  - Quarter-turn washerless ceramic disc 3/4" valve cartridges

### Codes / Standards Compliance

Meets or exceeds the following at date of manufacture:

- ASME A112.18.1/CSA B125.1
- IAPMO/cUPC
- IPC
- ADA
- ICC/ANSI A117.1
- All applicable US Federal and State material regulations



### Colors / Finishes

- 15: Polished Nickel
- 15A: Antique Nickel
- 26: Polished Chrome
- 10B: Oil Rubbed Bronze
- Other: Refer to the Newport Brass catalog for additional color/finish options.

### Specified Model

| Model | Description         | Colors / Finishes           |                              |                             |                              |                                |
|-------|---------------------|-----------------------------|------------------------------|-----------------------------|------------------------------|--------------------------------|
| 3-896 | Roman Tub Deck Trim | <input type="checkbox"/> 15 | <input type="checkbox"/> 15A | <input type="checkbox"/> 26 | <input type="checkbox"/> 10B | <input type="checkbox"/> Other |

### Required Accessory:

**Trim, above, and Rough Valve Kit, below, must both be specified.**

| Application       | Roman Tub                      |            |                             | Roman Tub with Handshower      |            |                             |                   |                     |                     |
|-------------------|--------------------------------|------------|-----------------------------|--------------------------------|------------|-----------------------------|-------------------|---------------------|---------------------|
|                   | Hot Valve                      | Cold Valve | Spout Quick-Connect Fitting | Hot Valve                      | Cold Valve | Spout Quick-Connect Fitting | Poly-Braided Hose | Handshower Diverter | H/S Flange Hardware |
| Inlet/Outlet Size | 3/4"                           | 3/4"       | 3/4"                        | 3/4"                           | 3/4"       | 3/4"                        | 1/2"              | 1/2" / 3/4"         | -                   |
| Part Number       | <input type="checkbox"/> 1-506 |            |                             | <input type="checkbox"/> 1-507 |            |                             |                   |                     |                     |
| Image             |                                |            |                             |                                |            |                             |                   |                     |                     |

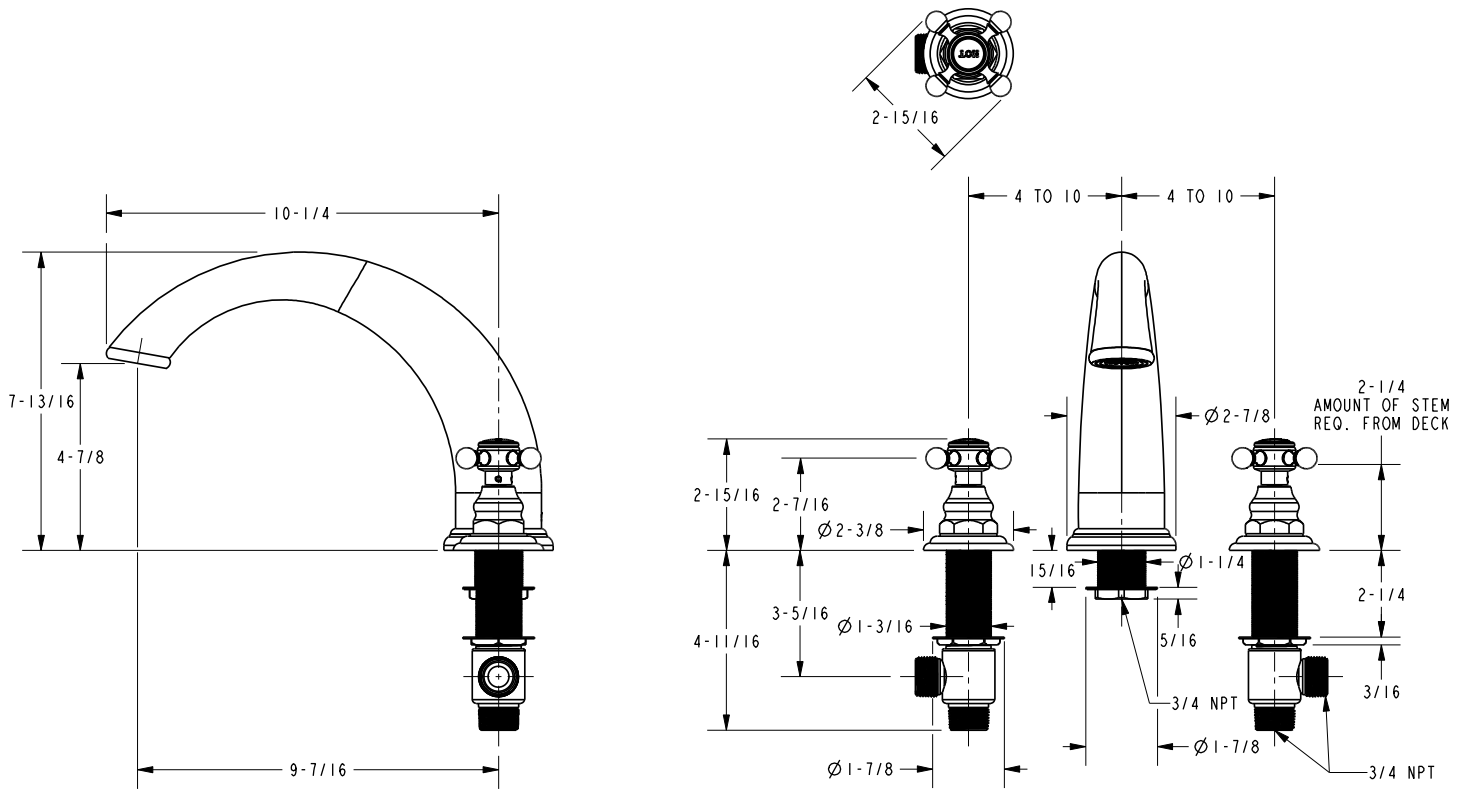
### Product Specification:

**Add "Color / Finish" suffix to Tub Deck Trim model number, below.**

The Roman Tub Deck Trim shall be made of solid brass construction. Roman Tub Deck Trim shall incorporate ADA compliant traditional cross handles. Product shall incorporate a 4-7/8" (12.4 cm) spout height at outlet and a 9-7/16" (24.0 cm) spout reach (c-c). Rough valve kit shall incorporate brass valve bodies with quarter-turn washerless ceramic disc 3/4" valve cartridges and a quick-connect spout fitting. Roman Tub Deck Trim shall be Newport Brass Model 3-896/\_\_\_\_ and Newport Brass rough valve kit shall be 1-506.

# 3-896

**Product Dimensions** (*units are in inches*)



**Alveston Roman Tub Deck Trim**  
**3-896**

**NEWPORT BRASS**  
Flawless Beauty. From Faucet to Finish.™