
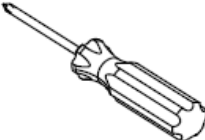

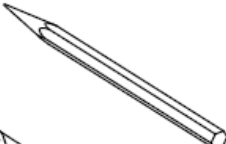

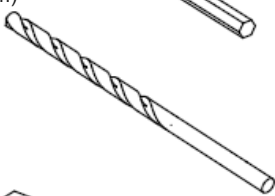

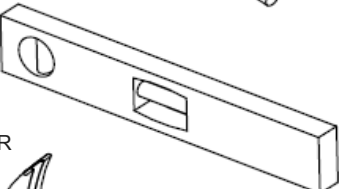

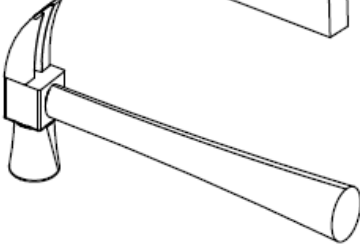
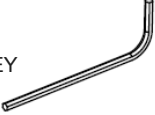
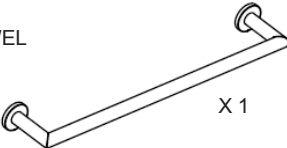


ITEMS INCLUDED	TOOLS REQUIRED
DRY WALL ANCHOR X 4 	PHILLIPS SCREW DRIVER 
TILE ANCHOR X 4 	PEN / PENCIL 
#8 SCREW X 4 	1/4"(6 mm) DRILL 
MOUNTING BRACKET X 2 	LEVEL SET 
M6X1 SET SCREW X 2 	HAMMER 
3MM HEX KEY X 1 	
TOWEL BAR X 1 	

XXXX

## INSTALLATION INSTRUCTIONS

36-02

### TOWEL BAR

**NEWPORT BRASS**  
 Flawless Beauty. From Faucet to Finish.™

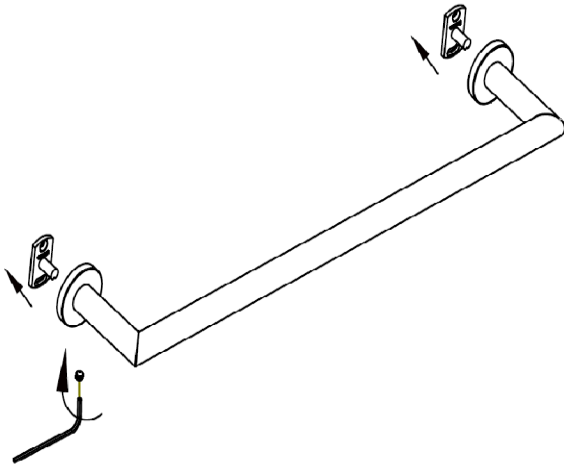
2001 CARNEGIE AVE, SANTA ANA CA 92705

(949) 417-5207

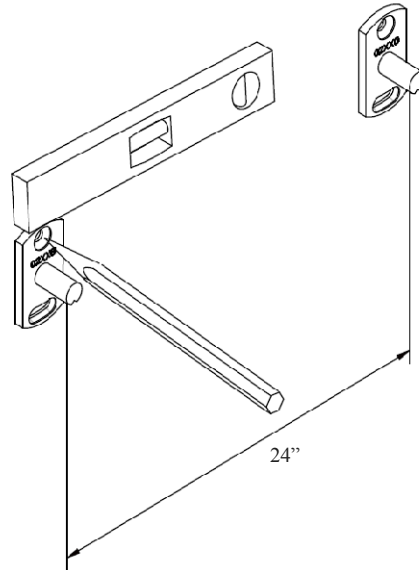
(949) 417-5207

WWW.NEWPORTBRASS.COM

① REMOVE MOUNTING BRACKETS



② ALIGN MOUNTING BRACKETS AND MARK LOCATION



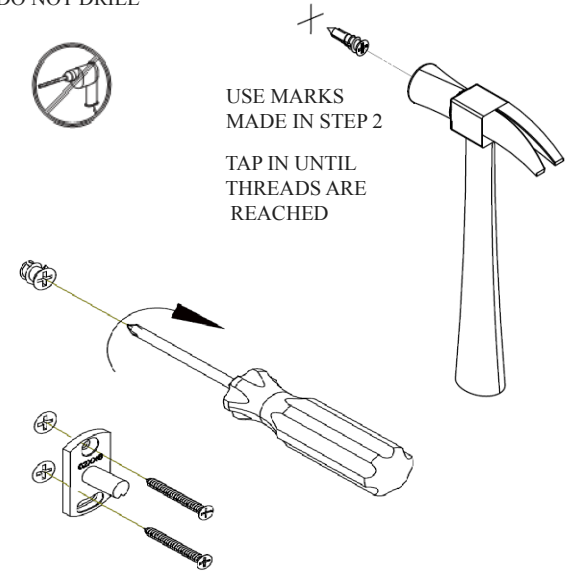
③ DRY WALL INSTALLATION

DO NOT DRILL



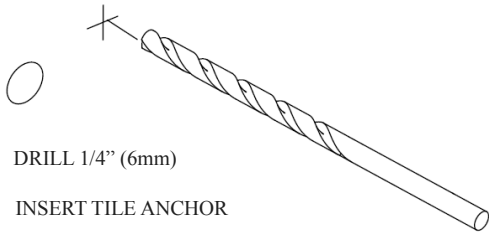
USE MARKS  
MADE IN STEP 2

TAP IN UNTIL  
THREADS ARE  
REACHED



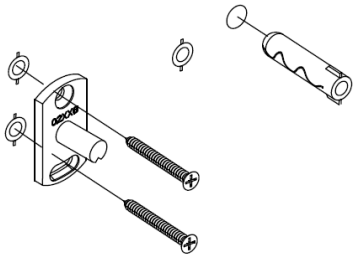
④ TILE OR SOLID WALL INSTALLATION

USE MARKS MADE IN STEP 2

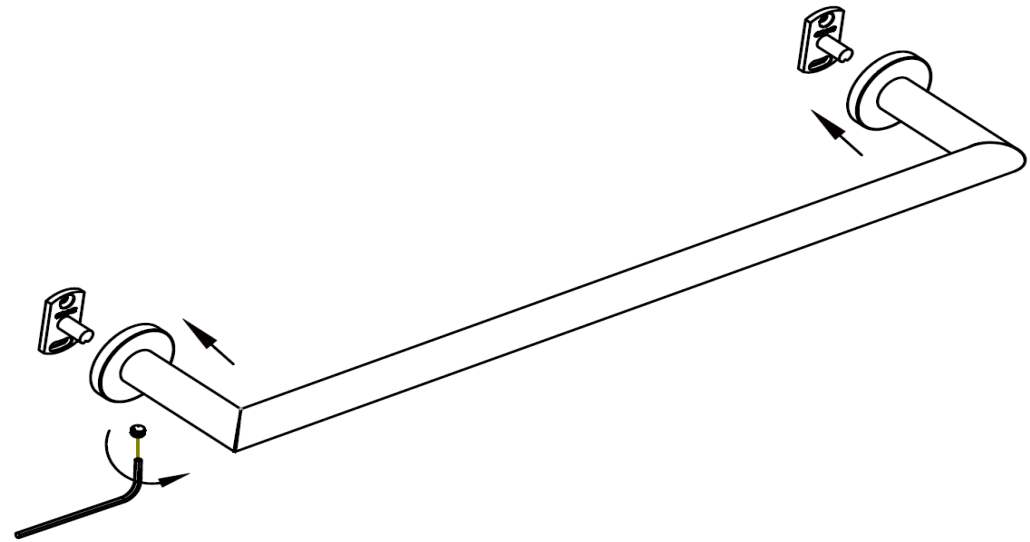


DRILL 1/4" (6mm)

INSERT TILE ANCHOR



⑤ INSTALL PRODUCT ONTO BRACKETS



SECURE WITH SET SCREW