
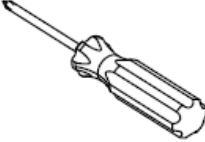



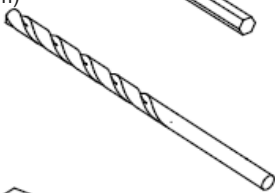
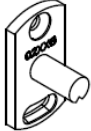
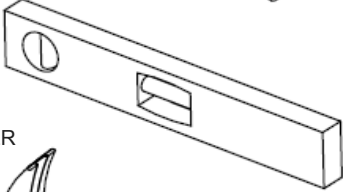

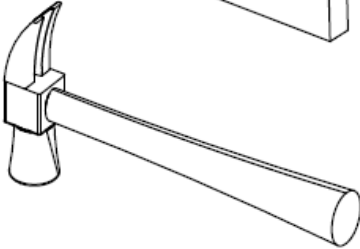

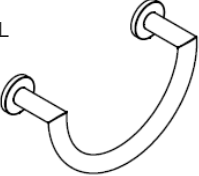


ITEMS INCLUDED	TOOLS REQUIRED
DRY WALL ANCHOR  X 4	PHILLIPS SCREW DRIVER 
TILE ANCHOR  X 4	PEN / PENCIL 
#8 SCREW  X 4	1/4" (6 mm) DRILL 
MOUNTING BRACKET  X 2	LEVEL SET 
M6X1 SET SCREW  X 2	HAMMER 
3MM HEX KEY  X 1	
TOWEL BAR  X 1	

XXXX

INSTALLATION INSTRUCTIONS

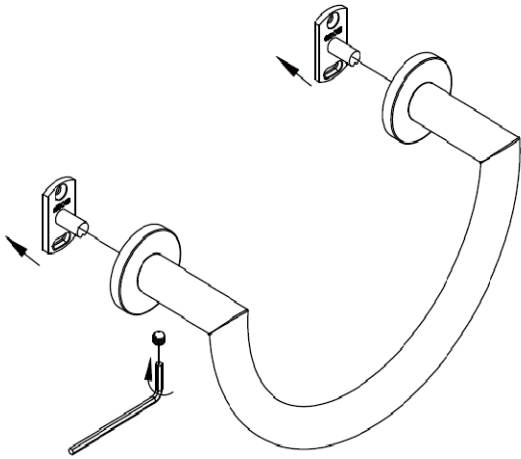
36-09

TOWEL BAR

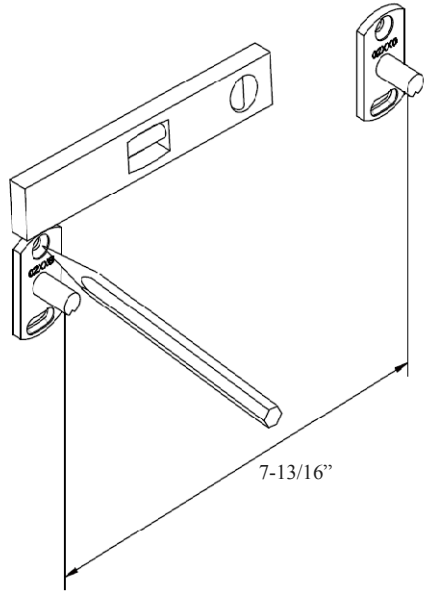
**NEWPORT BRASS**  
 Flawless Beauty. From Faucet to Finish.™

2001 CARNEGIE AVE, SANTA ANA CA 92705  
 (949) 417-5207  
 WWW.NEWPORTBRASS.COM

① REMOVE MOUNTING BRACKETS



② ALIGN MOUNTING BRACKETS AND MARK LOCATION



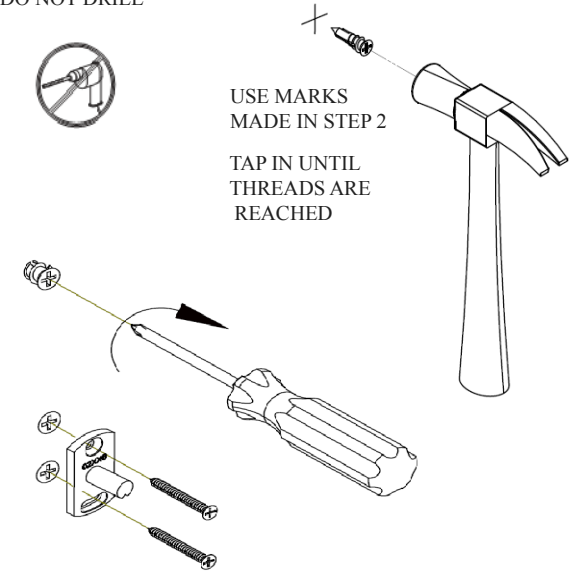
③ DRY WALL INSTALLATION

DO NOT DRILL



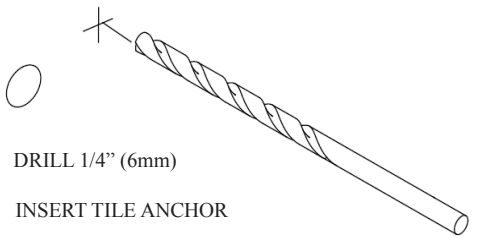
USE MARKS  
MADE IN STEP 2

TAP IN UNTIL  
THREADS ARE  
REACHED



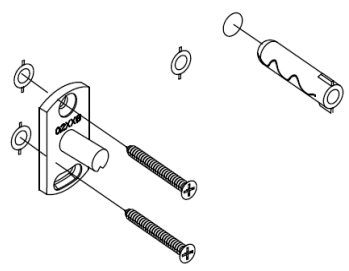
④ TILE OR SOLID WALL INSTALLATION

USE MARKS MADE IN STEP 2

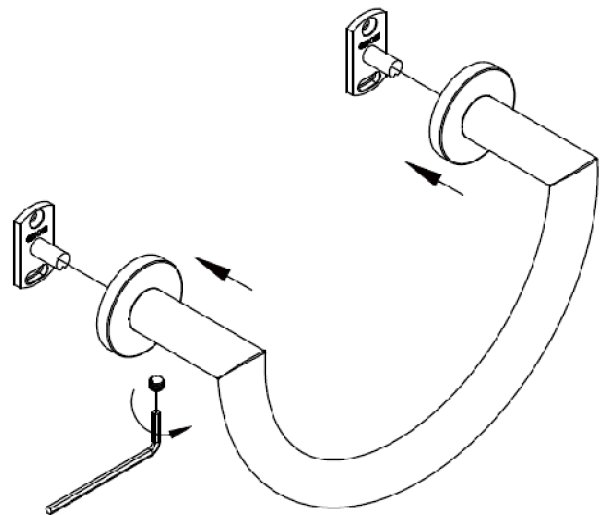


DRILL 1/4" (6mm)

INSERT TILE ANCHOR



⑤ INSTALL PRODUCT ONTO BRACKETS



SECURE WITH SET SCREW