

**Features**

- Solid brass construction
- Face plate with ADA compliant lever handle
- ADA compliant lever handle assembly for control valve
- Intended for use with Newport Brass rough valve(s) as specified (Required Accessory)

**Codes / Standards Compliance**

Meets or exceeds the following at date of manufacture:

- ASME A112.18.1/CSA B125.1
- IAPMO/cUPC
- IPC
- ADA
- ICC/ANSI A117.1
- ASSE 1016
- All applicable US Federal and State material regulations

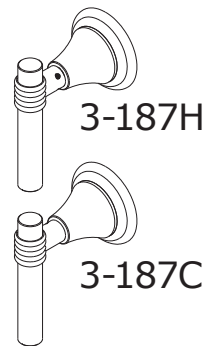
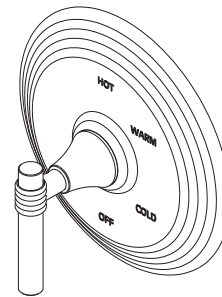
**Colors / Finishes**

- 10B: Oil Rubbed Bronze
- 15: Polished Nickel
- 15S: Satin Nickel
- 26: Polished Chrome
- Other: Refer to the Newport Brass catalog for additional color/finish options.

**Tub or Shower Trim**  
(less tub spout or showerhead, arm & flange)

**4-904BP**

Also 3-187C, 3-187H



4-904BP

**Specified Model**

| Model   | Description   | Colors / Finishes            |                             |                              |                             |                                |
|---------|---|------------------------------|-----------------------------|------------------------------|-----------------------------|--------------------------------|
| 4-904BP | Tub or Shower Trim (less tub spout or showerhead, arm & flange) | <input type="checkbox"/> 10B | <input type="checkbox"/> 15 | <input type="checkbox"/> 15S | <input type="checkbox"/> 26 | <input type="checkbox"/> Other |
| 3-187C  | Shower System Control Valve Trim (Escutcheon/Handle, Cold)      | <input type="checkbox"/> 10B | <input type="checkbox"/> 15 | <input type="checkbox"/> 15S | <input type="checkbox"/> 26 | <input type="checkbox"/> Other |
| 3-187H  | Shower System Control Valve Trim (Escutcheon/Handle, Hot)       | <input type="checkbox"/> 10B | <input type="checkbox"/> 15 | <input type="checkbox"/> 15S | <input type="checkbox"/> 26 | <input type="checkbox"/> Other |

**Required Accessory:** Trim(s), above, and Rough Valve(s), below, must be specified.

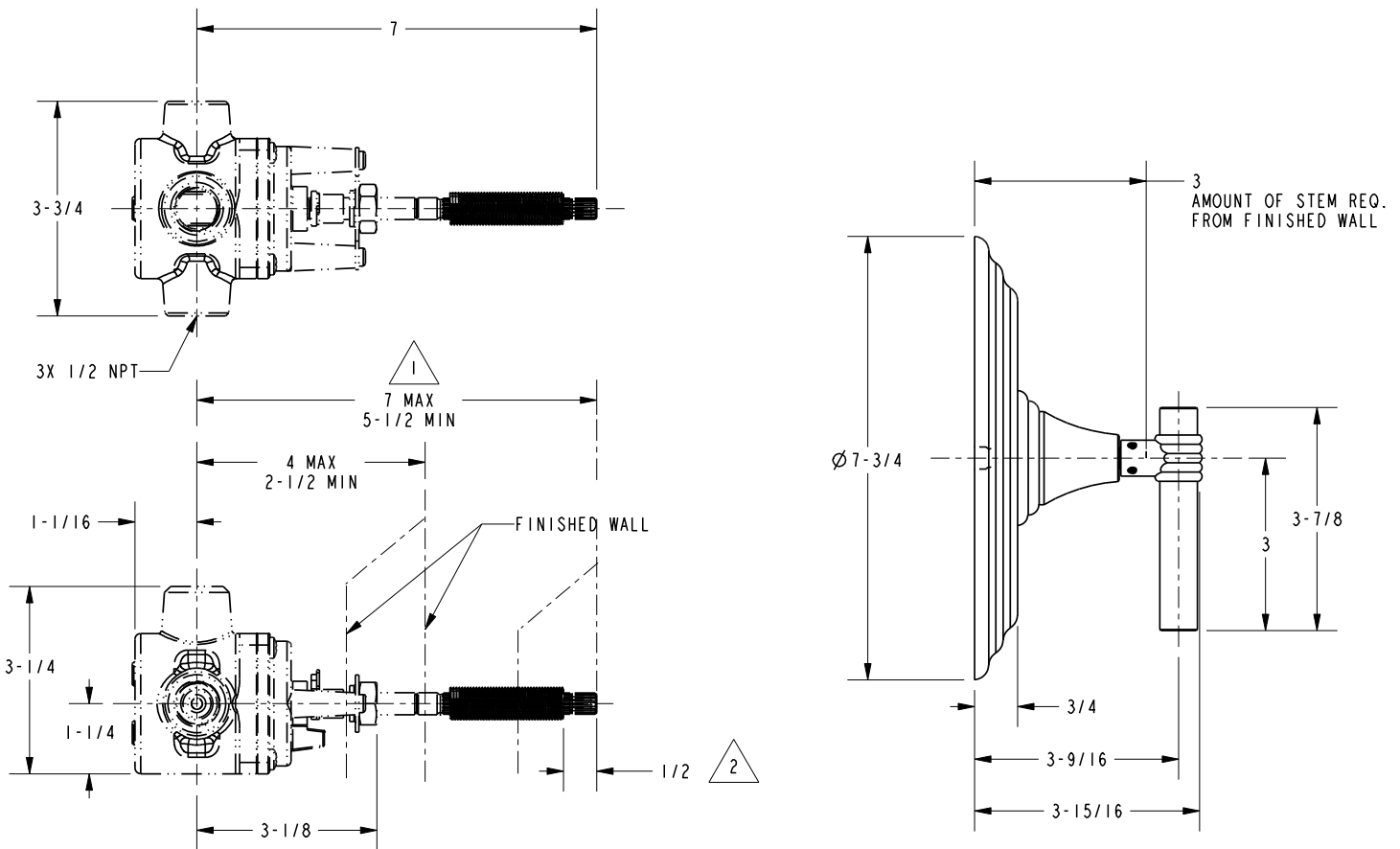
| Application       | Tub Only Valve*             | Shower (or Tub) Valve          | Tub & Shower Valve          | Shower System Valve         | Control Valve                  |
|-------------------|-----------------------------|--------------------------------|-----------------------------|-----------------------------|--------------------------------|
| Description       | 2-Cartridge Assembly        | Balance Pressure (BP)          | BP w/ Diverter              | Thermostatic                | Diverter (3/4 port)            |
| Inlet/Outlet Size | 1/2"                        | 1/2"                           | 1/2"                        | 3/4"                        | 1/2"                           |
| Part Number       | <input type="checkbox"/> NA | <input type="checkbox"/> 1-594 | <input type="checkbox"/> NA | <input type="checkbox"/> NA | <input type="checkbox"/> 1-617 |
| Image             |                             |                                |                             |                             |                                |

**Product Specification:** Add "Color / Finish" suffix to Model number, below.

The single-control Tub or Shower Trim (less tub spout or showerhead, arm & flange) shall be made of solid brass construction. Tub or Shower Trim shall include faceplate with ADA compliant handle. Shower System Control Valve Trim(s) (Escutcheon/Handle) shall be ADA compliant when used with specified Shower System Control Valve. Tub or Shower Trim (less tub spout or showerhead, arm & flange) shall be Newport Brass Model 4-904BP/\_\_\_\_ and single-control Tub or Shower rough valve shall be Newport Brass Model 1-594. Shower System Control Valve Trim(s) (Handle/Escutcheon) shall be 3-187\_\_\_\_/\_\_\_\_ (and 3-187\_\_\_\_/\_\_\_\_) and Shower System Control Valve shall be 1-617.

# 4-904BP

## Product Dimensions (units are in inches)



### NOTES:

1. CUT STEM TO DIMENSION SHOWN.
2. CUT ALL-THREAD  $1/2$ " SHORTER THAN STEM.
3. VALVE, PN: 1-504, SOLD SEPARATELY.