

# ALVESTON

## Double Towel Bar

# 13-04

Also 13-05

### Features

- Solid brass construction
- Complements Newport 365 product series

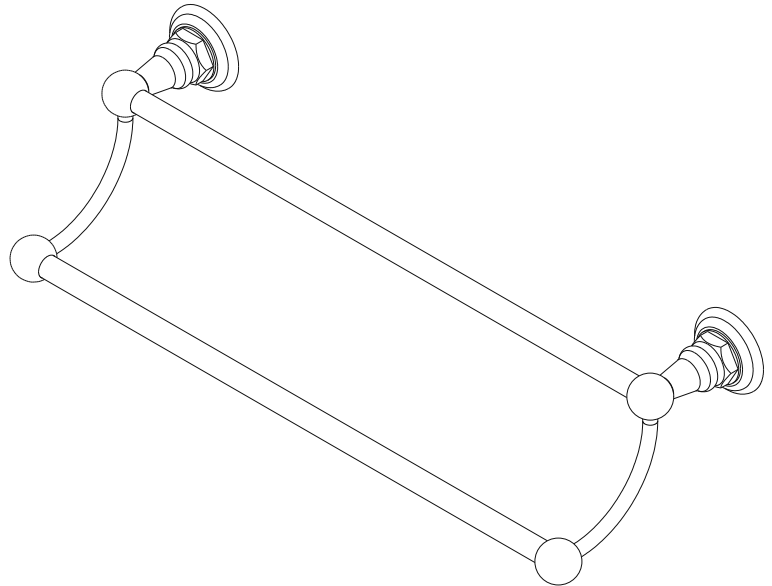
### Codes / Standards Compliance

Meets or exceeds the following at date of manufacture:

- All applicable US Federal and State material regulations

### Colors / Finishes

- 15: Polished Nickel
  - 15S: Satin Nickel
  - 26: Polished Chrome
  - ORB: Oil Rubbed Bronze
- Other: Refer to the Newport Brass catalog for additional color/finish options.



### Specified Model

Model	Description	Colors   Finishes				
13-04	18" Double Towel Bar	<input type="checkbox"/> 15	<input type="checkbox"/> 15S	<input type="checkbox"/> 26	<input type="checkbox"/> 10B	<input type="checkbox"/> Other
13-05	24" Double Towel Bar	<input type="checkbox"/> 15	<input type="checkbox"/> 15S	<input type="checkbox"/> 26	<input type="checkbox"/> 10B	<input type="checkbox"/> Other

### Product Specification: Add "Length Indicator and Color / Finish" suffix to Model number, below.

The Double Towel Bar shall be made of solid brass construction. Double Towel Bar shall complement Newport Brass Alveston product series. Double Towel Bar shall be Newport Brass Model 13-0\_\_/\_\_\_\_ .

# 13-04

## Product Dimensions *(units are in inches)*

