

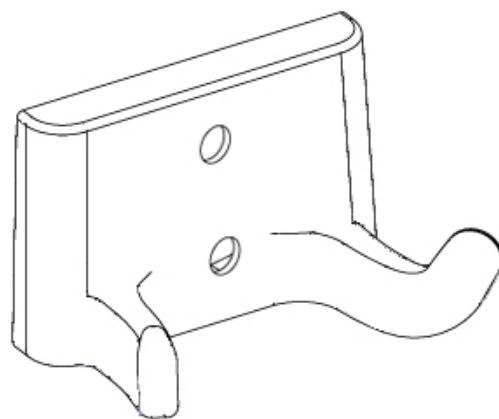
Double Robe Hook

Model: BE2-22

Features

- Material: Zinc Die-cast
- Exposed Screw Surface Mount Application
- Provided with
 - Plastic Anchors x 2
 - Steel Phillips Head Screws #8 x 1-1/4"
- Projection: 1-1/8" from Mounting Surface
- Overall Size: 2-7/16" x 1-7/16"

Edison
Collection



Available Finish:

- Chrome

