

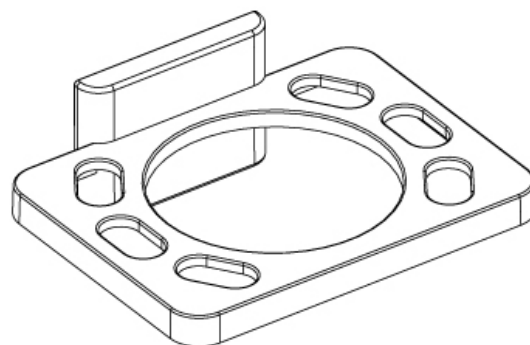
Tooth Brush and Tumbler Holder

Model: BC2-50

Features

- Material: Zinc Die-cast
- Concealed Surface Mount Application
- Provided with
 - Mounting Plate: 1-3/4" x 1-1/8"
 - Plastic Anchors x 2
 - Steel Phillips Head Screws #8 x 1-1/4"
- Projection: 3-3/8" from the Mounting Surface
- Overall Size: 4" x 1-1/2"

Campbell
Collection



Available Finish:

- Chrome
- Polished Brass

