

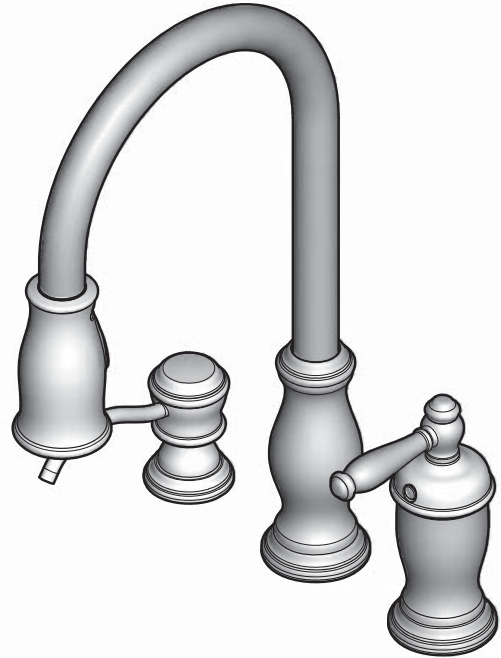
# Price Pfister®

Pf Pfreshest Ideas in Pf faucets.

526 • T526 Series  
Serie 526 • T526  
Série 526 • T526

## HANOVER™

Single Control Kitchen Faucet  
Grifo Monomando Para La Cocina  
Mitigeur De Cuisine



Price Pfister

Lifetime Limited Mechanical & Pfinish Warranty  
Covers Pfinish and Pfunction for as Long as You  
Own Your Home

(Commercial Applications Limit the Duration of the  
Warranties as Provided Below)

Price Pfister provides the following Warranties for its products. Proof of Purchase may be required in order to obtain any of the benefits set forth below.

**Limited Warranties:** Price Pfister warrants that for as long as the original purchaser owns the home in which the Price Pfister product (the "Product") is originally installed, the Product will be free of all defects in material and workmanship that would impair the intended and proper use of the Product. If the Product is installed in a commercial application, the above mechanical warranty shall be limited for a period of ten (10) years from the date of purchase of the Product.

Price Pfister warrants against deterioration of the Product's finish for as long as the original purchaser owns the home in which the Product is originally installed. If the Product is installed in a commercial application, the above finish warranty for Products that do not contain the Pforever finish shall be limited to a period of five (5) years from the date of purchase.

**Exclusive Remedy:** In the event of any defect in the Product that breaches the foregoing warranties, Price Pfister, at its option, will repair or replace the defective part of the Product. Repair or replacement of the Product is the exclusive remedy.

For any remedy under this warranty, Price Pfister is to be notified describing the problem. In order to notify Price Pfister and receive assistance or service under this warranty, the original purchaser may: (1) call 1-800-Pfaucet (1-800-732-8238) for a consumer service representative who can assist you, or (2) write consumer service department c/o Price Pfister Inc., 19701 DaVinci, Lake Forest, CA 92610, and include a description of the problem, model number, your name, address, phone number and approximate date of purchase, or (3) email Price Pfister's customer service department by going to [www.PricePfister.com](http://www.PricePfister.com), or (4) notify the location or distributor from which the Product was purchased. In any case, you may be required to return the Product to Price Pfister for inspection and proof of purchase may be required.

#### Limitations and Exclusions:

PRICE PFISTER WILL NOT BE LIABLE FOR ANY OTHER DAMAGES OR LOSSES, INCLUDING, BUT NOT LIMITED TO, INCIDENTAL AND/OR CONSEQUENTIAL DAMAGES, REGARDLESS OF THE LEGAL THEORY ASSERTED, INCLUDING ANY CLAIM OR BREACH OF WARRANTY HEREUNDER OR ANY OTHER CAUSE, AND WHETHER ARISING IN CONTRACT OR IN TORT (including negligence and strict liability).

Price Pfister has the right to discontinue or modify any product at any time. Some states do not allow limitations or exclusions of incidental or consequential damages, so the above limitations or exclusions may not apply to you. This warranty gives you specific legal rights, and you may also have other rights which vary from state to state.

The above warranties do not cover damage resulting from improper maintenance, repair, cleaning or installation, misuse, abuse, alterations, accidents or acts of God.



Price Pfister

Garantía Mecánica y sobre el Acabado Limitada de por Vida  
Cubre las funciones y el acabado por el tiempo en que usted sea  
propietario de su casa  
(Las Aplicaciones Comerciales Limitan la Duración  
de las Garantías)

Price Pfister suministra las siguientes Garantías para sus productos. Es posible que se requiera la presentación de una Prueba de compra para obtener cualquiera de los beneficios indicados a continuación.

**Garantías Limitadas:** Price Pfister garantiza que por el tiempo en que el comprador original sea propietario de la casa en el que se hubiese instalado inicialmente el producto Price Pfister (el "Producto"), este Producto estará libre de todo defecto en material y mano de obra que pueda afectar el uso proyectado y correcto del Producto. Si el Producto se instala en una aplicación comercial, la garantía mecánica que antecede estará limitada a un período de diez (10) años a partir de la fecha de compra del Producto.

Price Pfister garantiza el acabado del Producto contra deterioro por el tiempo en que el comprador original sea propietario de la casa en la que hubiese instalado inicialmente el Producto. Si el Producto se instala en una aplicación comercial, la garantía sobre el acabado que precede para Productos que no contengan el acabado "Pforever" estará limitada a un período de cinco (5) años a partir de la fecha de compra.

**Recurso exclusivo:** En el caso de que haya un defecto en el Producto que viole las garantías que preceden, Price Pfister, a su opción, reparará o reemplazará la pieza defectuosa del Producto. La reparación o el reemplazo del Producto es el recurso exclusivo.

Para todo recurso con respecto a esta garantía, Price Pfister deberá ser notificado, con una descripción del problema. Para notificar a Price Pfister y recibir ayuda o servicio bajo esta garantía, el comprador original puede: (1) llamar al 1-800-Pfaucet (1-800-732-8238) para hablar con un representante de servicio al cliente que lo pueda ayudar, o (2) escribir al departamento de servicio al consumidor, c/o Price Pfister Inc., 19701 DaVinci, Lake Forest, CA 92610 U.S.A., e incluir una descripción del problema, el número del modelo, su nombre, dirección, número de teléfono y fecha aproximada de compra, o (3) enviar un e-mail al departamento de servicio al consumidor de Price Pfister entrando en la página web [www.PricePfister.com](http://www.PricePfister.com), o (4) avisarle al lugar o al distribuidor en donde se compró el Producto. En cualesquiera de los casos, podría pedírsele devolver el Producto a Price Pfister para su inspección y es posible que se requiera la presentación de una prueba de compra.

#### Limitaciones y Exclusiones:

PRICE PFISTER NO SE HARÁ RESPONSABLE DE NINGÚN OTRO DAÑO O PERJUICIO, INCLUYENDO, PERO SIN ESTAR LIMITADO A DAÑOS INCIDENTALES Y/O CONSECUTENTES, SIN IMPORTAR LA TEORÍA LEGAL A LA QUE SE ALEGUE, INCLUYENDO TODO RECLAMO O VIOLACIÓN DE LA GARANTÍA PRESENTE O CUALQUIER OTRA CAUSA, Y YA SEAN COMO RESULTADO DE LA LEY CONTRACTUAL O LA DE ANTECEDENTES (incluyendo negligencia y responsabilidad estricta).

Price Pfister tiene el derecho de discontinuar o modificar cualquier producto en cualquier momento. Ciertos estados no permiten limitaciones o exclusiones de daños incidentales o consecuentes, de manera que es posible que las limitaciones o exclusiones que preceden no correspondan en su caso. Esta garantía le otorga derechos legales específicos y es posible que usted también tenga otros derechos que difieren entre un estado y otro.

Las garantías que preceden no cubren daños y perjuicios ocasionados como resultado de mantenimiento, reparaciones, limpieza o instalación inadecuados, mal uso, abuso, alteraciones, accidentes o causas de fuerza mayor.



Price Pfister

Une garantie limitée à vie  
pour ce qui est de l'aspect mécanique et de la finition,  
tant et aussi longtemps que vous serez propriétaire  
de votre domicile.

(Garantie limitée en cas d'utilisation commerciale  
- voir ci-dessous)

Veuillez noter qu'une preuve d'achat peut être requise en cas de recours au titre de la garantie.

**Garantie limitée :** Tant et aussi longtemps que l'acheteur sera propriétaire du domicile dans lequel le produit Price Pfister a été installé, nous lui garantissons que ce dernier sera exempt de tout défaut de matériel ou vice de fabrication pouvant entraver l'utilisation correcte tel que prévu. Dans le cas des produits d'utilisation commerciale, la garantie exprimée ci-dessus est restreinte à une période de dix (10) ans.

Par ailleurs, tant et aussi longtemps que l'acheteur sera propriétaire du domicile dans lequel le produit Price Pfister a été installé, nous lui garantissons un article dont la finition ne pourra se détériorer. Dans le cas des produits d'utilisation commerciale qui ne comportent pas la finition "Pforever", la garantie est restreinte à une période de cinq (5) ans.

**Recours exclusif :** En cas de défaut du produit relevant de la garantie, le fabricant pourra, à sa discrétion, réparer ou remplacer la partie défectueuse. Cette mesure constitue un recours exclusif.

Pour tout recours au titre de la garantie, les clients doivent communiquer avec le fabricant pour lui faire part du problème. L'acheteur d'origine peut : (1) composer le 1 800 732-8238 pour parler à un représentant qui l'assistera; (2) écrire au service à la clientèle : Price Pfister Inc., 19701 DaVinci, Lake Forest, CA 92610 U.S.A., et fournir une explication du problème, en précisant le numéro de modèle, son nom, son adresse et son numéro de téléphone, ainsi que la date d'achat approximative; (3) communiquer par courrier électronique avec le service à la clientèle en utilisant le site [www.PricePfister.com](http://www.PricePfister.com), ou (4) aviser le détaillant qui a vendu le produit. On peut être obligé de retourner le produit au fabricant, et une preuve d'achat peut être exigée.

#### Limitations et exclusions :

PRICE PFISTER NE S'ERA PAS RESPONSABLE DES AUTRES DOMMAGES OU PERTES, Y COMPRIS LES DOMMAGES INDIRECTS, INDÉPENDamment DE TOUTE THÉORIE JURIDIQUE, Y COMPRIS TOUTE RÉCLAMATION SELON LAQUELLE IL Y AURAIT EU RUPTURE DE GARANTIE, QUE CE SOIT PAR RAPPORT À UN CONTRAT OU PAR VOIE DE NÉGLIGENCE (cela comprend la négligence et la responsabilité stricte).

Price Pfister se réserve le droit de discontinuer ou de modifier un produit en tout temps. Certaines provinces ne permettent pas l'exclusion ou la limitation des dommages indirects, de sorte que la limitation exprimée peut ne pas s'appliquer. La présente garantie octroie aux clients certains droits d'ordre juridique, et ceux-ci pourraient en avoir d'autres, selon la province où ils habitent.

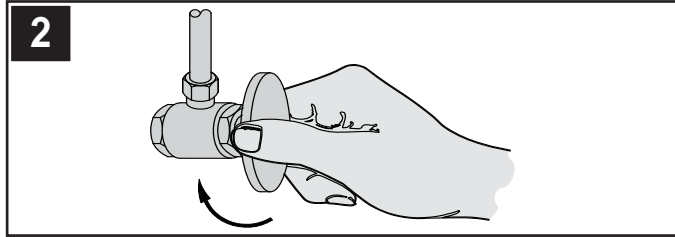
La garantie ne s'applique pas aux dommages résultant d'un entretien, d'un nettoyage ou d'une installation fautive effectués, ou encore d'usages fautifs, d'abus, de modifications, d'accidents ou de catastrophes naturelles.

Thank you for purchasing this Price Pfister product. All Price Pfister products are carefully engineered, and factory tested to provide long trouble-free use under normal conditions. This product is easy to install using basic tools and our easy to follow illustrated instructions. If you have any questions regarding this product, call 1-800-Pfaucet (1-800-732-8238).

ENGLISH

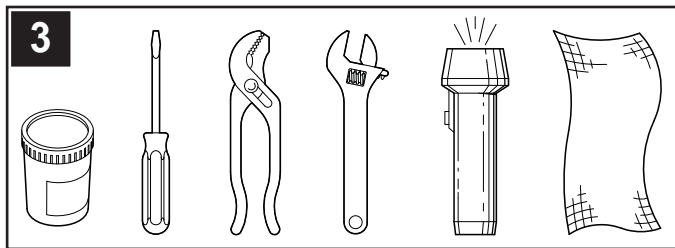
**1 BEFORE PROCEEDING**

**⚠ WARNING:** Read all the instructions completely before proceeding. Price Pfister recommends calling a professional if you are uncertain about installing this product! This product should be installed in accordance with all local and state plumbing and building codes.



**2 SHUT OFF WATER SUPPLY**

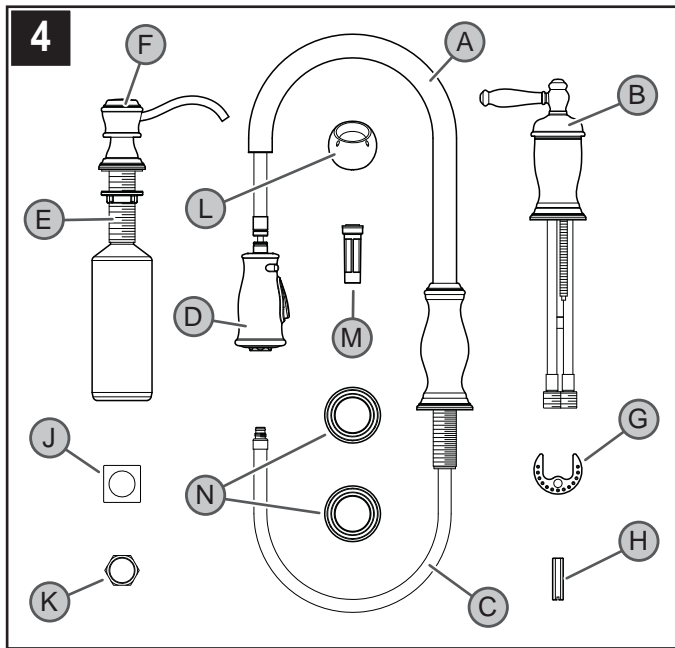
Locate water supply inlets and shut off the water supply valves. These are usually found under the sink or near the water meter. If you are replacing an existing faucet, remove the old faucet from the sink and clean the sink surface thoroughly.



**3 TOOLS RECOMMENDED**

- Plumber's putty
- Slotted screwdriver
- Pliers
- Adjustable wrench
- Flashlight
- Cloth

Your installation may require new supply lines and / or shut-off valves or other additional tools.



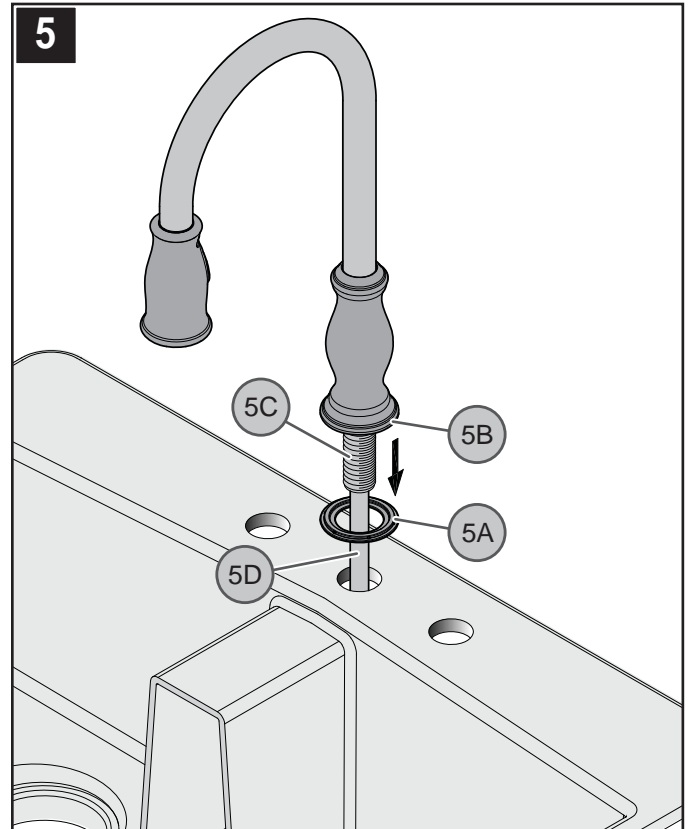
**4 CHECKING THE CONTENTS OF THE BOX**

Upon opening the box, check to ensure that all of the following items are included:

- A Spout Body
- B Valve Body
- C Pull-Out Hose
- D Spray Head
- E Soap Dispenser
- F Soap Dispenser Head
- G Metal Washer
- H Long Nut
- J Square Washer
- K Locknut
- L Weight
- M Quick Connector
- N Putty Rings

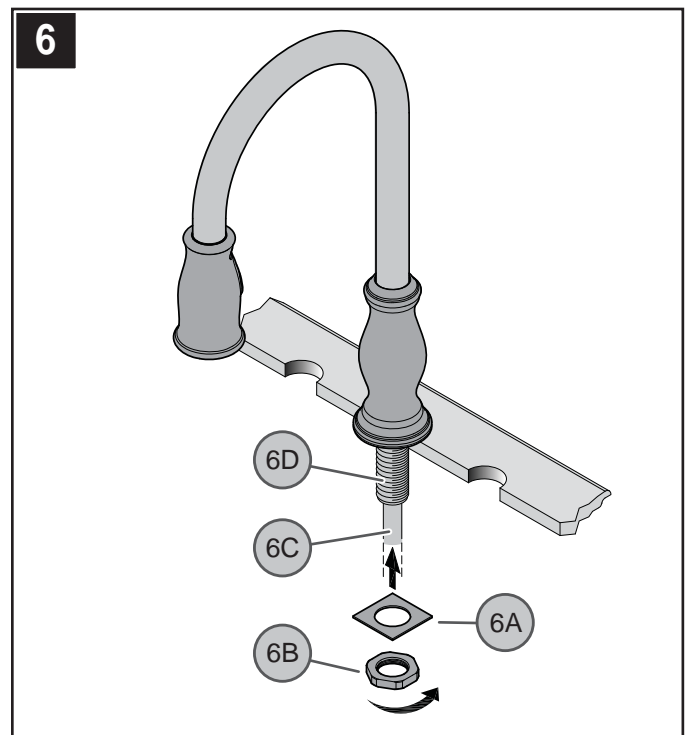
If any of these items are missing, please contact Price Pfister Consumer Services at 1-800-Pfaucet (1-800-732-8238).

**FAUCET INSTALLATION**



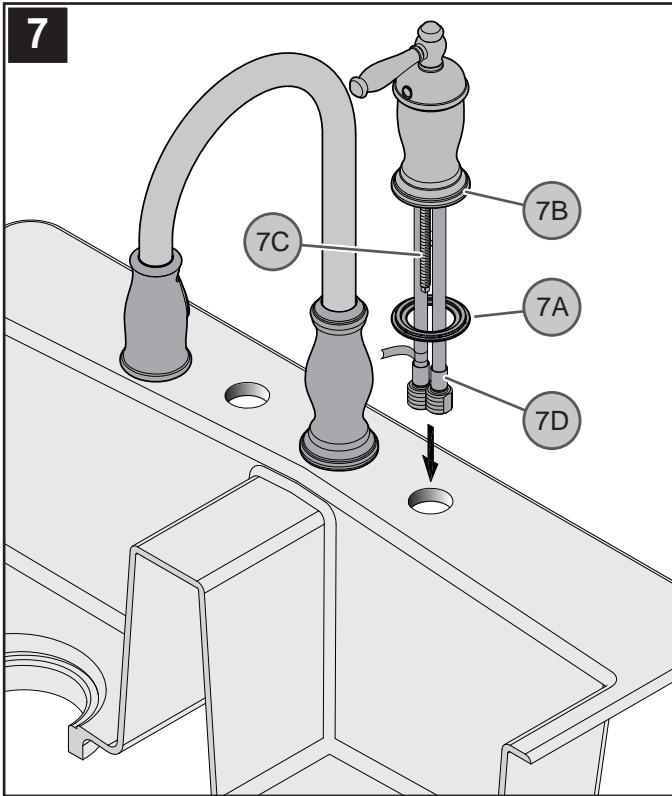
**5 SPOUT BODY INSTALLATION**

Place Putty Ring (5A) under Spout Body (5B). From above sink, insert Mounting Shank (5C) and Pull-Out Hose (5D) through any hole of sink.



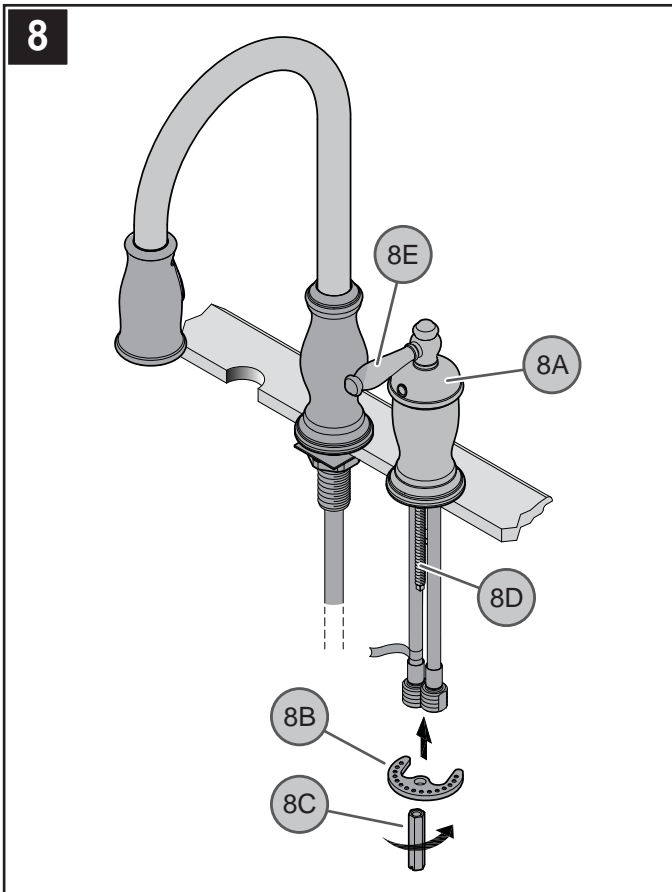
**6 SECURING SPOUT BODY**

From underneath sink, place Square Washer (6A) and Locknut (6B) over Pull-Out Hose (6C). Thread loosely onto faucet shank (6D). Tighten faucet firmly to sink.



**7 CONTROL BODY INSTALLATION**

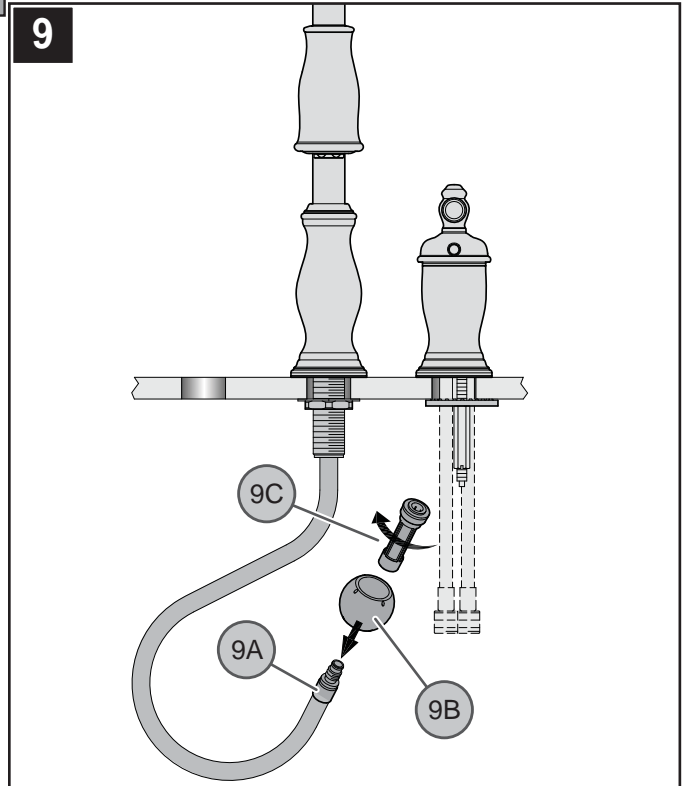
Place Putty Ring (7A) to Control Body (7B). From above sink, insert Threaded Stud (7C) and Hoses (7D) through any hole in sink.



**8 SECURING CONTROL BODY**

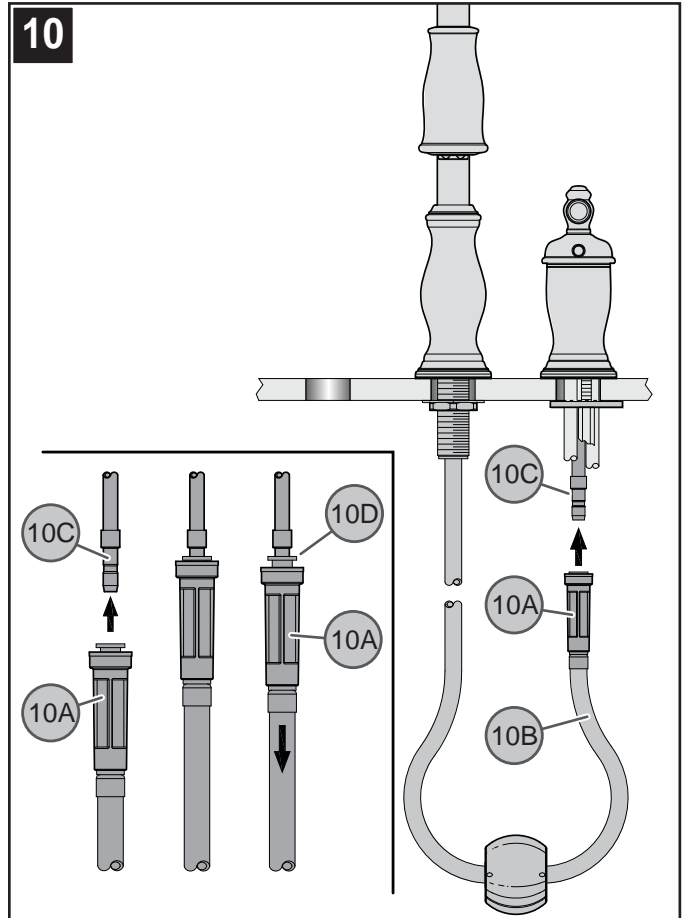
From underneath sink, secure Control Body (8A) by placing Metal Washer (8B) and threading Long Nut ( $7/16$ " Hex.) (8C) onto Threaded Stud (8D). Make sure that the bumps on Metal Washer (8B) are facing up. Tighten loosely, make sure Handle (8E) swings equally in both directions. Firmly hand tighten Long Nut (8C). Secure Long Nut (8C) not to exceed a  $1/4$  turn.

**Caution: Do not over tighten!**



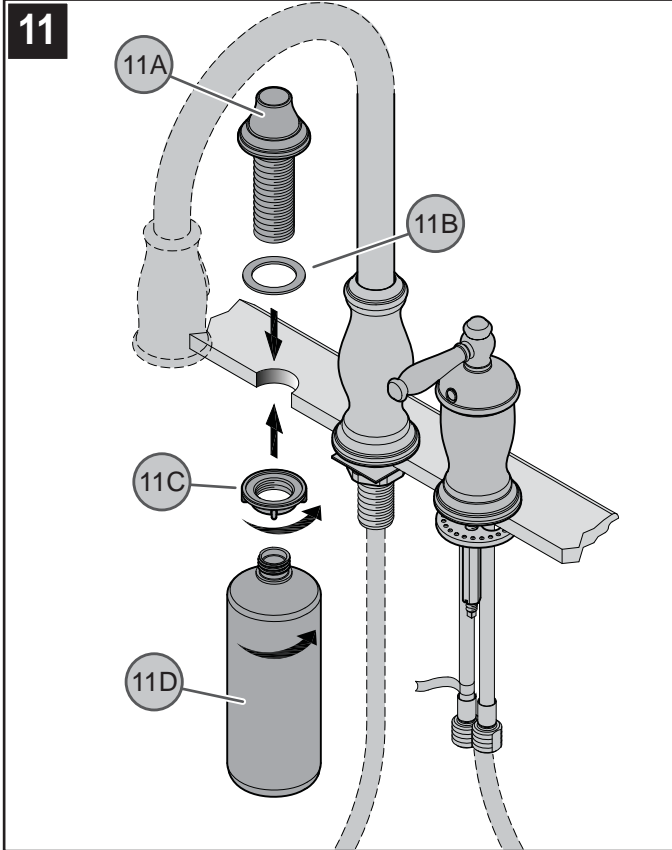
**9 QUICK CONNECT & WEIGHT ATTACHMENT**

Insert the end of the Pull-Out Hose (9A) into the Weight (9B). Screw Quick Connector (9C) to the free end of Pull-Out Hose (9A).



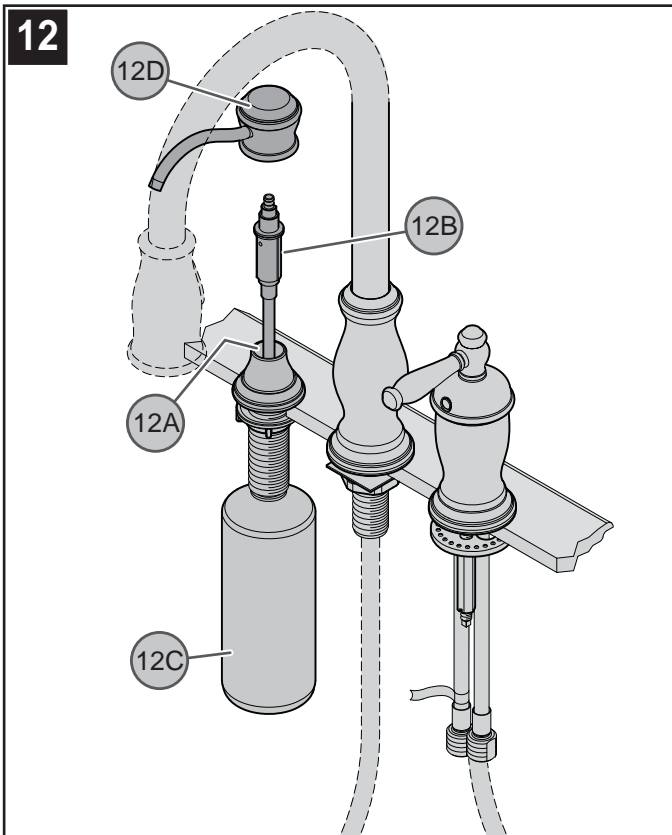
**10 PULL-OUT HOSE ATTACHMENT**

From underneath sink, push Quick Connector (10A), located on the end of the Pull-Out Hose (10B) firmly upward onto the Receiving Tube (10C), until unable to push any further. Pull down on the Quick Connector (10A). If the housing and the Inner Collect (10D) separate slightly but do not pull off, the Receiving Tube (10C) quick connect is secure.



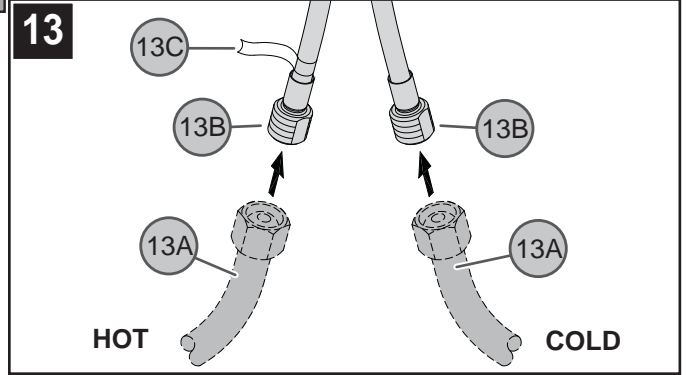
**11 SOAP DISPENSER INSTALLATION**

From above sink, insert threaded Shank (11A) of soap dispenser body through Foam Gasket (11B) and sink hole. From below sink, tighten Nut (11C) and thread on Bottle (11D) to Shank (11A).



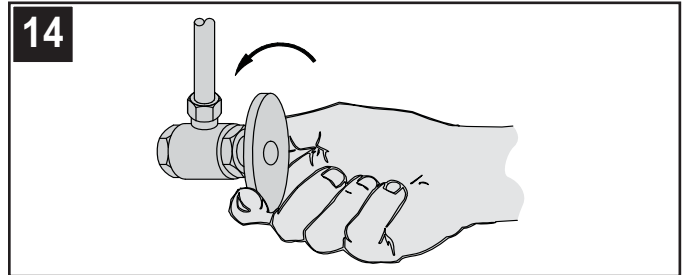
**12 SOAP DISPENSER HEAD INSTALLATION**

Pour in liquid soap (not included) into the Shank Orifice (12A). Insert Pump Mechanism (12B) into Soap Dispenser Body (12C). Install Dispenser Head (12D) by pushing firmly onto Pump Mechanism (12B).



**13 WATER SUPPLY CONNECTIONS**

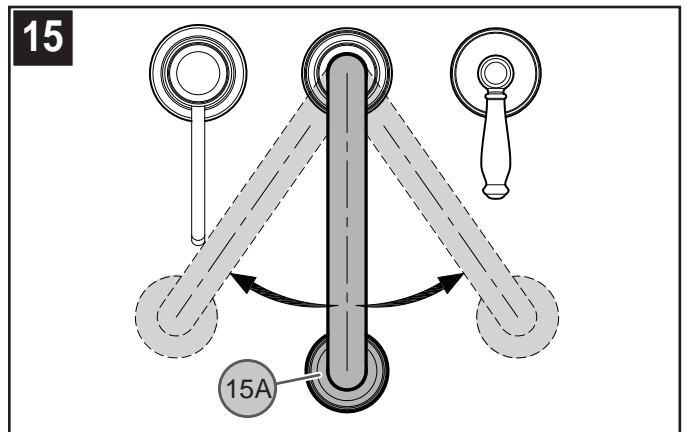
Connect water Supply Lines (13A) to Faucet Inlets (13B). Hot water supply line goes to hot inlet fitting indicated by red tag (13C). (Supply lines not included). Follow manufacturer's instructions when installing supply lines.



**14 UNIT START UP**

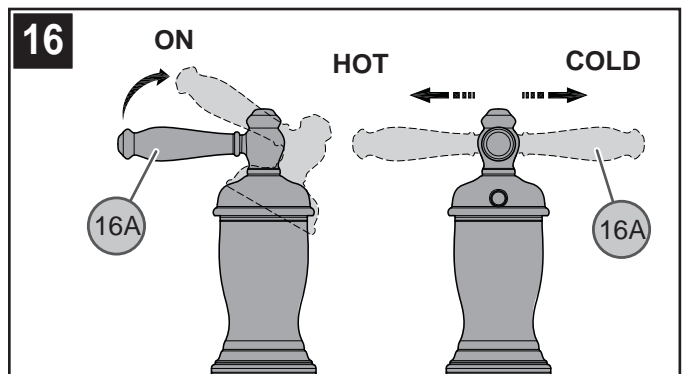
Turn on hot and cold water supplies, and check for leaks above and below the sink

**FAUCET FUNCTIONS**



**15 SPOUT FUNCTION**

The Spout (15A) can be rotated around the Faucet Body in any direction.

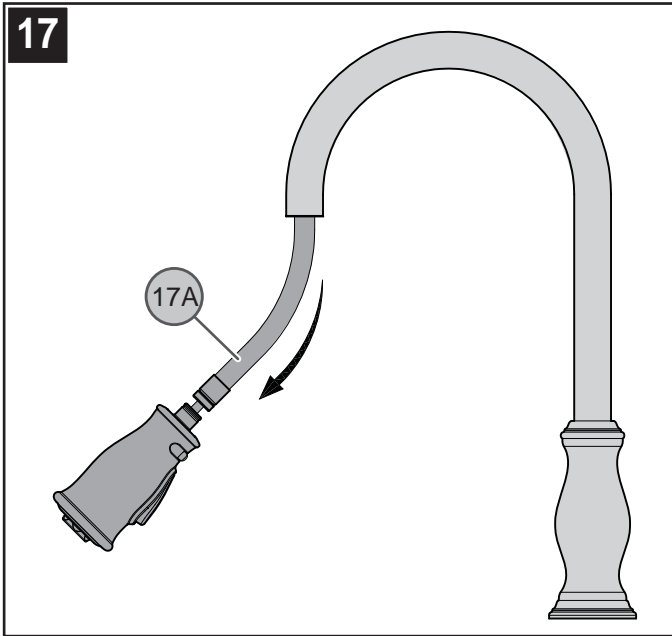


**16 VALVE FUNCTION**

By lifting the Lever Handle (16A) up, the valve will be activated allowing water to flow. The water flow will increase by continuing to lift up the Lever Handle (16A). By rotating the Lever Handle (16A) counterclockwise, the water temperature will decreased to fully cold. By rotating the Lever Handle (16A) clockwise, the water temperature will increased to fully hot.

Note: Flush faucet before turning on valve (see step 21).

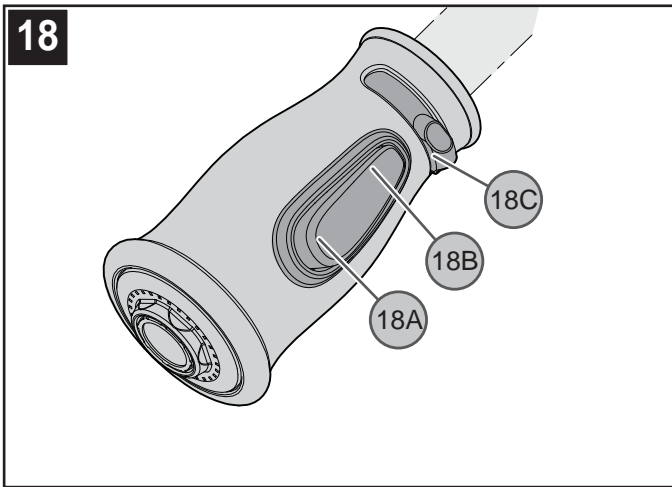
17



**17 PULL-OUT OPERATION**

The Pull-Out Hose (17A) can be pulled forward to spray water in any direction.

18

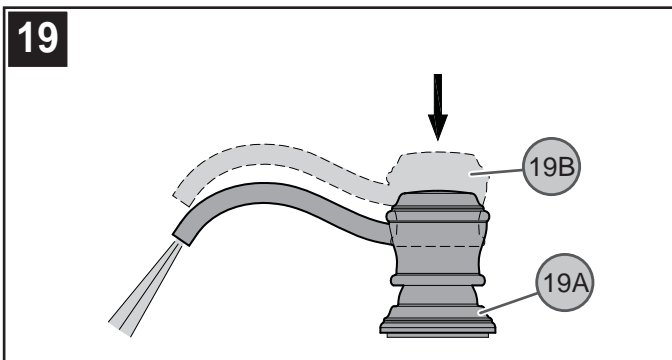


**18 SPRAY OPERATION**

To activate the spray mode, simply press Toggle Button (18A) located under the spray head. You can change between spray and stream by pressing the opposite sides of the Toggle Button (18A/18B) while the faucet is in operation. The water flow will increase by sliding Spray Selector Switch (18C) from side to side.

Note: The faucet will always turn on in regular stream mode.

19

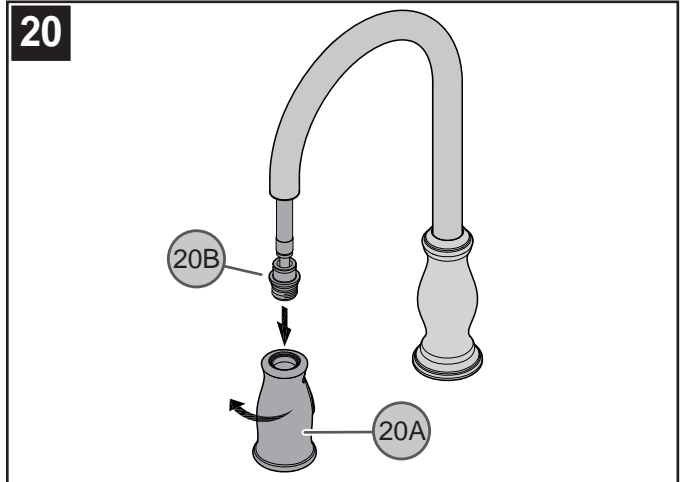


**19 SOAP DISPENSER OPERATION**

To activate Soap Dispenser (19A), press Dispenser Head (19B) to spray liquid soap.

**MAINTENANCE & CARE**

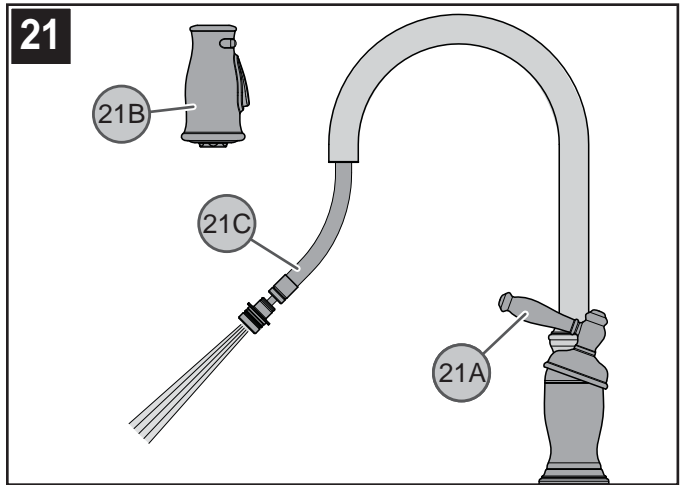
20



**20 SPRAY HEAD REMOVAL**

To prevent damage to the internal parts of your faucet from debris that may have collected in the water lines, it will be necessary to flush the faucet. Flushing requires the removal of the spray Head (20A). To remove the Spray Head (20A), hold metal Hose Fitting (20B) and turn the Spray Head (20A) counterclockwise.

21

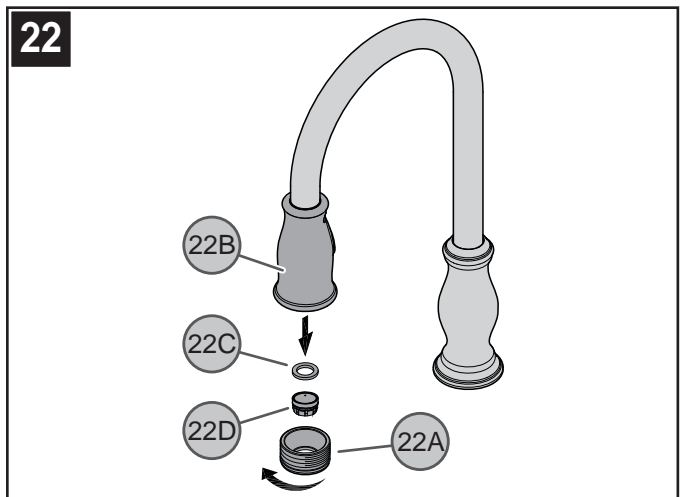


**21 FLUSHING**

Lift the Valve Lever Handle (21A) up to the full on position. Run water for one minute. Repeat in hot and cold positions. Reassemble the Spray Head (21B) to the Pull-Out Hose (21C) by turning Spray Head (21B) clockwise.

Caution: do not over tighten spray head / pull-out hose.

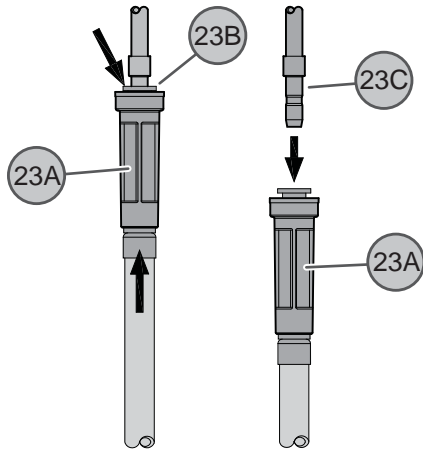
22



**22 AERATOR CLEANING**

Over time, the aerator in your faucet may become clogged with debris. To clean the aerator, unscrew Aerator Housing (22A) from Spray Head (22B). Remove Aerator Seal (22C) and Aerator Cartridge (22D) from Aerator Housing (22A). Clean Aerator Cartridge (22D) and Aerator Housing (22A).

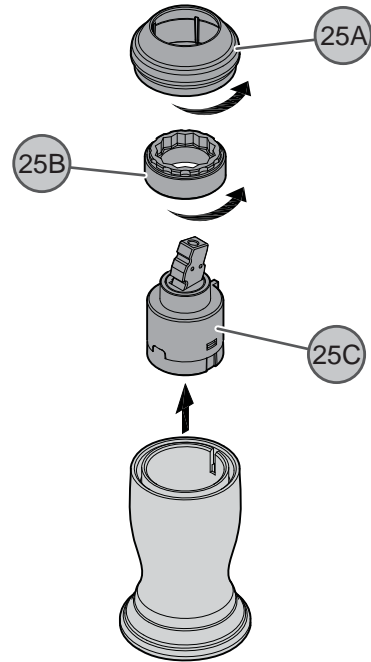
23



**23 PULL-OUT HOSE REMOVAL**

To remove the quick connect attachment: Push up on the Quick Connector (23A). Holding grey Plastic Colette (23B) in place, pull downward on Quick Connector (23A) until Tube (23C) is free.

25



**25 CARTRIDGE REPLACEMENT**

Turn off water supplies and relieve pressure before working on your faucet. Remove handle (see step 24). Remove the Dome Cap (25A) by unscrewing counterclockwise. Using pliers, unscrew the retainer ring (25B). Carefully remove the Cartridge (25C) by pulling it straight up and out. Reassemble valve by reversing steps.



**CAUTION: Maintenance**

**DISASSEMBLY**

1. Replacement parts may be available at the store where you purchased your faucet.
2. When replacement parts are not available, please write or call Price Pfister Consumer Service.
3. **Always turn off water and relieve pressure before working on your faucet.**



**NOTE: Trim Care**

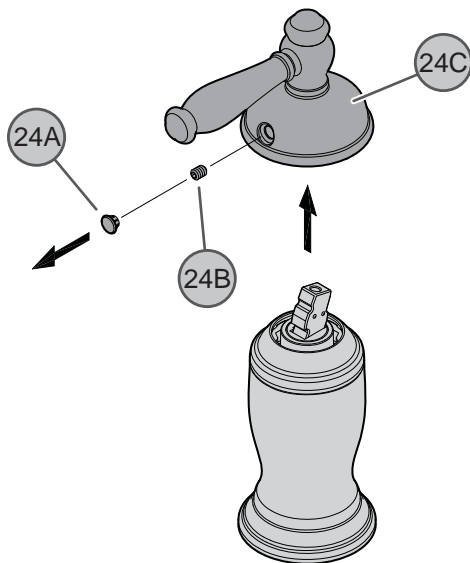
**Cleaning Instructions:**

For all Handles and decorative finishes, use only a soft damp cloth to clean and shine. Use of polish, detergents, abrasive cleaners, organic solvents or acid may cause damage. **Use of other than a soft damp cloth will nullify our warranty!**

**Special Trim:**

Trim products which contain Porcelain or other similar substance are not acceptable for public areas or Commercial use. Installation of Said Trim is at Users Risk!

24



**24 HANDLE REMOVAL**

Carefully pry off Handle Button (24A). Using a 3/32" Allen wrench, loosen Set Screw (24B) and remove Handle (24C).



**1-800-PFAUCET (1-800-732-8238)**

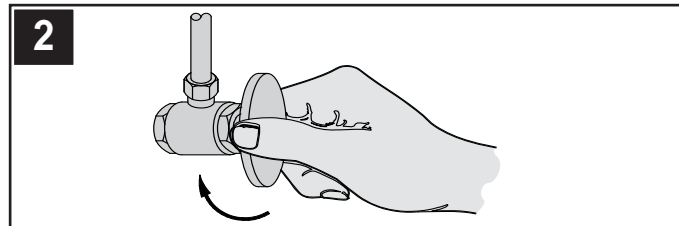
For Toll-Free Pfaucet information call  
1-800-PFAUCET (1-800-732-8238)  
or visit [www.pricepfister.com](http://www.pricepfister.com)

- Installation Support
- Care and Warranty Information

Gracias por haber comprado este producto Price Pfister. Todos los productos Price Pfister están diseñados cuidadosamente y son sometidos a pruebas en la fábrica para ser utilizados sin problemas bajo condiciones normales. Este producto es fácil de instalar con herramientas básicas y nuestras instrucciones ilustradas fáciles de seguir. Si tiene alguna pregunta sobre este producto, llame al 1-800 Pfauet (1-800-732-8238).

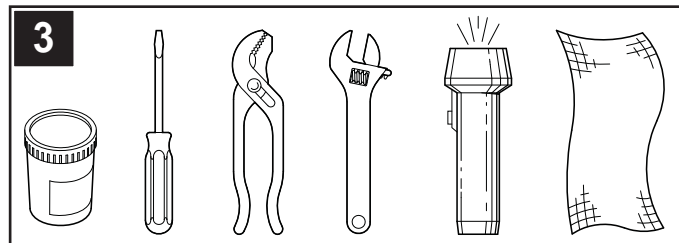
**1 ANTES DE PROCEDER**

**⚠ ADVERTENCIA:** Antes de proceder, lea completamente todas las instrucciones. Price Pfister recomienda llamar a un profesional si no se está seguro acerca de cómo instalar este producto. Este producto debe instalarse de acuerdo a los códigos de plomería y de construcción locales y estatales.



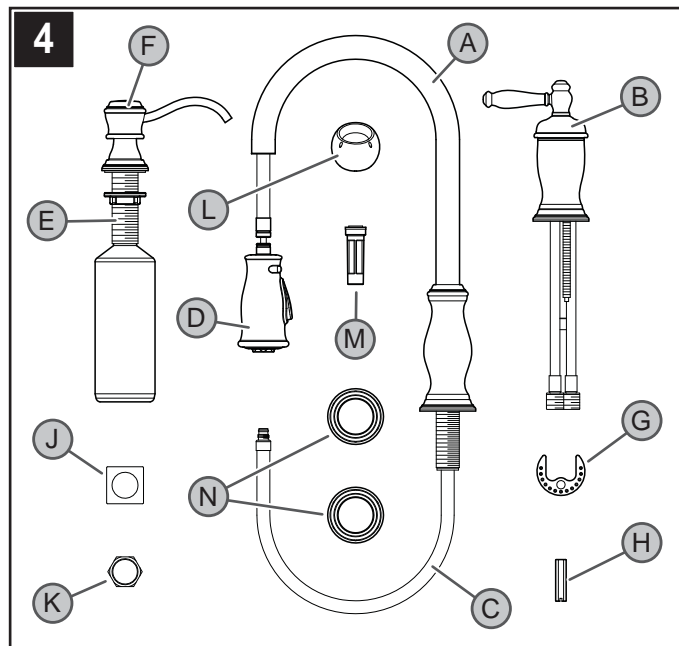
**2 CIERRE EL SUMINISTRO DE AGUA**

Ubique las entradas del suministro de agua y cierre las válvulas de suministro de agua. Generalmente se encuentran debajo del fregadero o cerca del medidor de agua. Si se trata de un reemplazo de grifo, quite el grifo viejo y limpie completamente la superficie del fregadero.



**3 HERRAMIENTAS RECOMENDADAS**

- Masilla para plomería
  - Destornillador recto
  - Tenazas
  - Llave ajustable
  - Linterna de mano
  - Paño
- Para hacer la instalación podría ser necesario contar con nuevas tuberías de suministro, válvulas de cierre o herramientas adicionales.

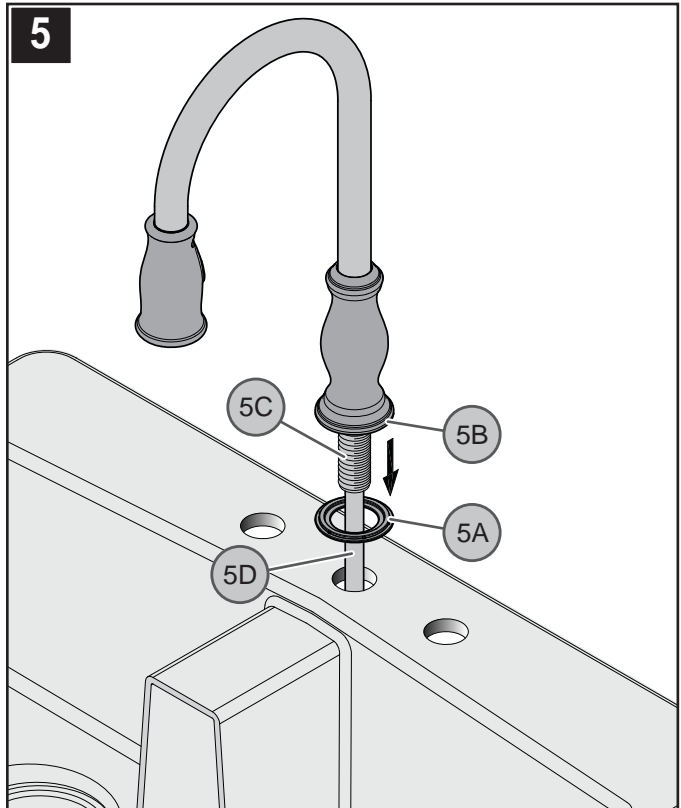


**4 VERIFICACIÓN DEL CONTENIDO DE LA CAJA**

- Después de abrir la caja, verifique que se incluyan todos los artículos siguientes con su grifo:
- A Cuerpo del surtidor
  - B Cuerpo de la válvula
  - C Manguera desmontable
  - D Cabeza de rociado
  - E Dispensador de jabón
  - F Cabeza del dispensador
  - G Arandela de metal
  - H Tuerca larga
  - J Arandela cuadrada
  - K Tuerca de montaje
  - L Contrapeso
  - M Conector rápido
  - N Aro para masilla

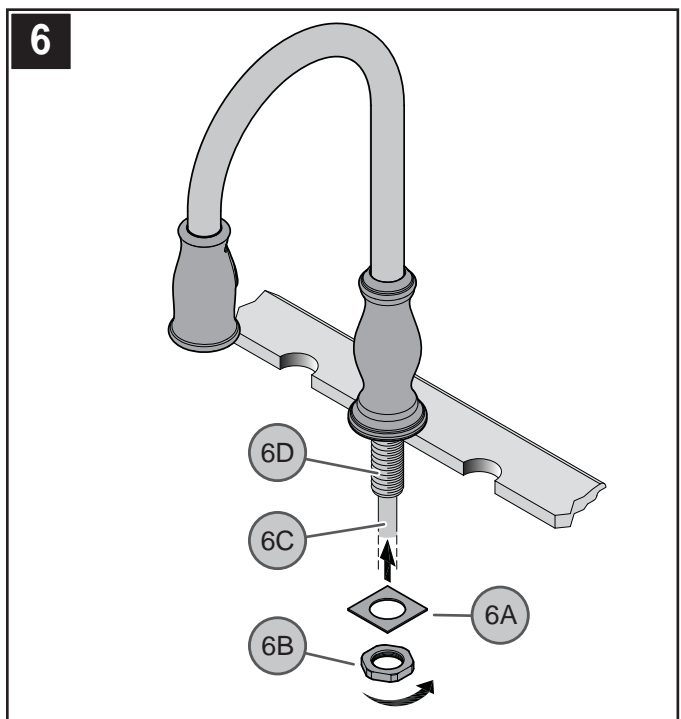
Si falta alguno de estos artículos, comuníquese con el departamento de Servicios al Consumidor de Price Pfister al 1-800-Pfauet (1-800-732-8238).

**INSTALACIÓN DEL GRIFO**



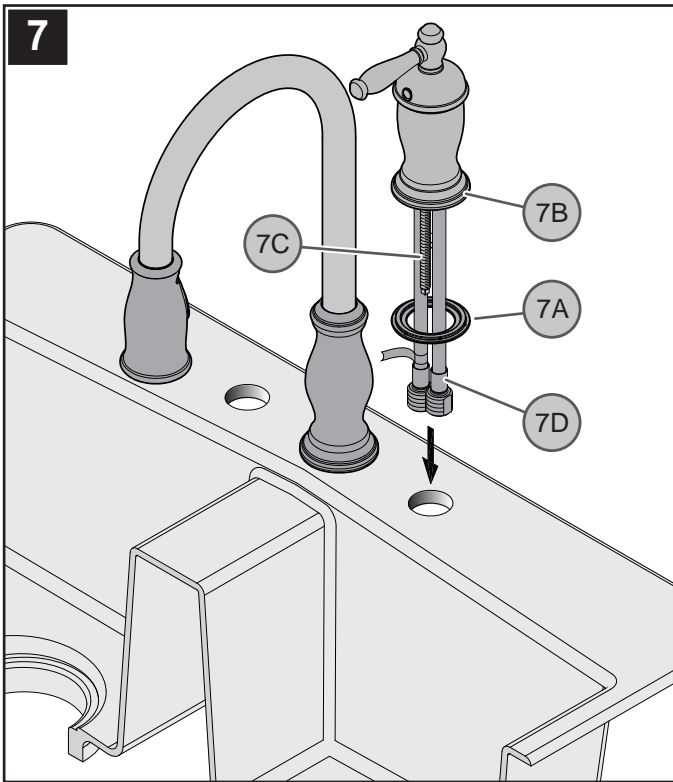
**5 INSTALACIÓN DEL CUERPO DEL DEL SURTIDOR**

Coloque el aro para masilla (5A) debajo del Cuerpo del surtidor (5B). Sobre del fregadero, inserte la espiga del fregadero (5C) y la manguera (5D) a través de cualquier agujero del fregadero.



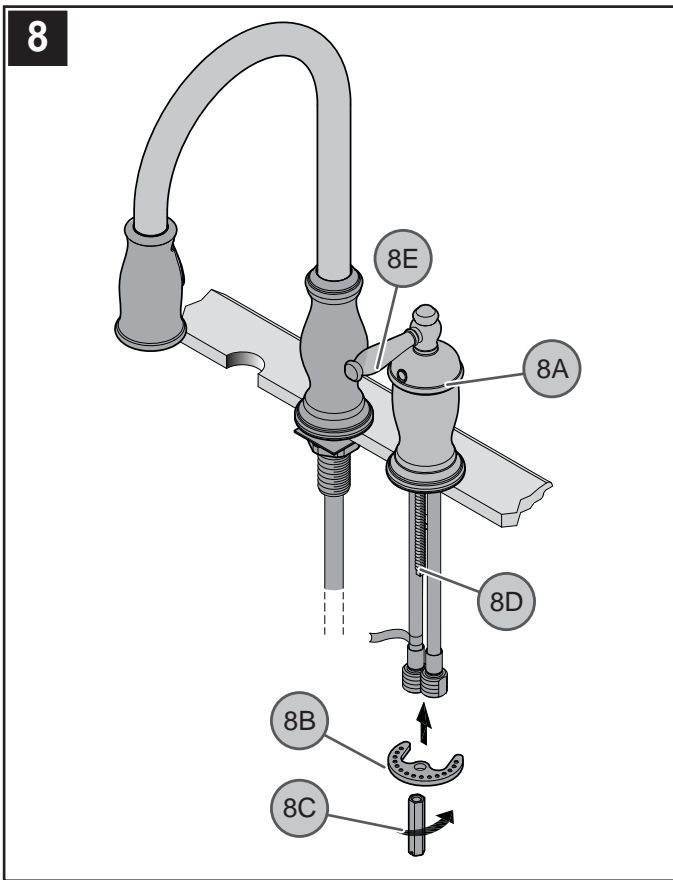
**6 SUJECIÓN DEL CUERPO DEL DEL SURTIDOR**

Desde abajo del fregadero, coloque la arandela cuadrada (6A) y la tuerca grande de latón (6B) sobre la manguera (6C). Enrosque en forma floja sobre la espiga del fregadero (6D). Apriete bien el grifo en el fregadero.



**7 INSTALACIÓN DEL CUERPO DE CONTROL**

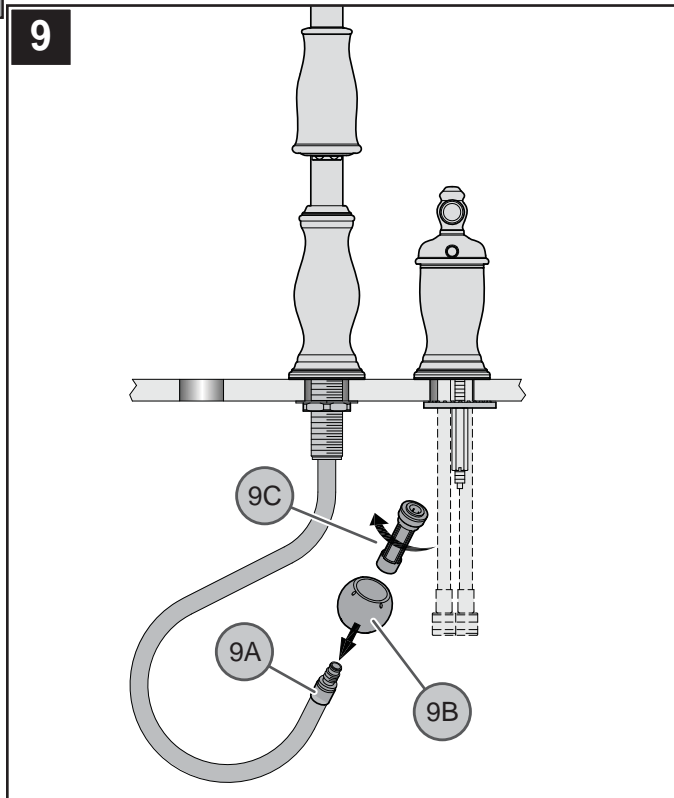
Coloque el aro para masilla (7A) en el cuerpo de control (7B). Sobre del fregadero, introduzca la espiga roscada (7C) y la tuberías (7D) en el agujero central del fregadero.



**8 SUJECIÓN CUERPO DE CONTROL**

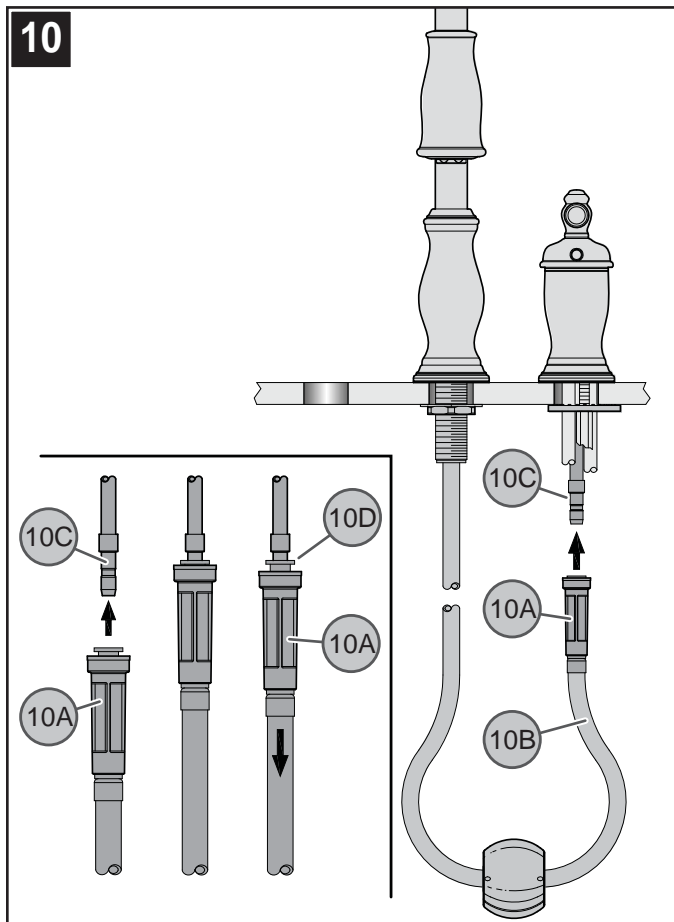
Desde abajo del fregadero, sujete el cuerpo de control (8A) colocando la arandela de metal (8B) y enroscando la tuerca larga (7/16 pulg. Hex.) (8C) sobre el poste de montaje (8D). Asegúrese de que las protuberancias en la arandela de metal (8B) queden apuntando hacia arriba. No apriete demasiado, verifique que la manija (8E) gira de igual forma en ambas direcciones. Con la mano apriete la tuerca larga (8C). Asegure la tuerca larga (8C) pero no exceda un cuarto de vuelta.

**Precaución: ¡No apriete demasiado!**



**9 CONEXIÓN DEL CONTRAPESO Y CONEXIÓN RÁPIDA**

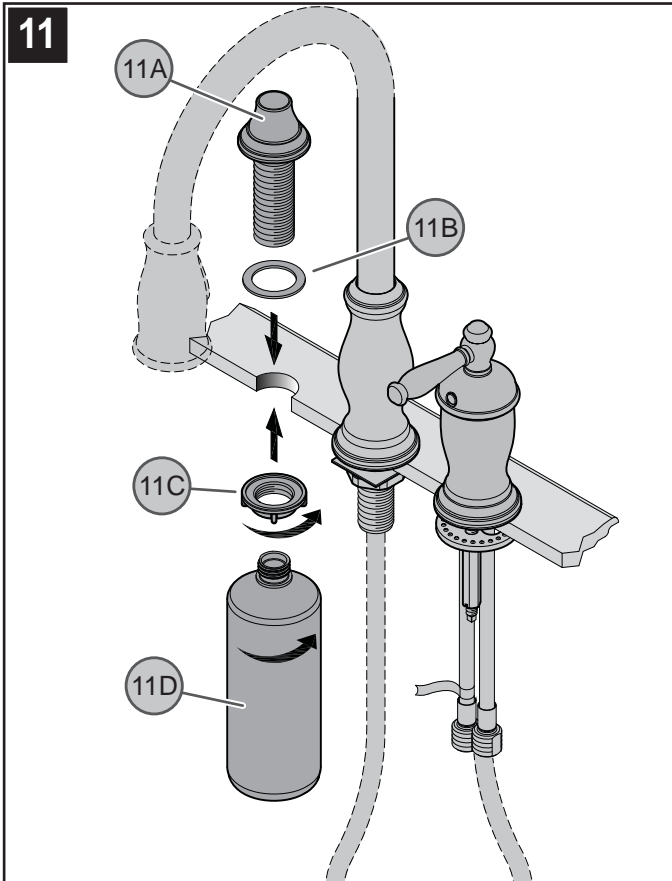
Inserte el extremo de la manguera desmontable (9A) en el contrapeso (9B). Enrosque el conector rápido (9C) en el extremo de la manguera desmontable (9A).



**10 CONEXIÓN DE LA MANGUERA DESMONTABLE**

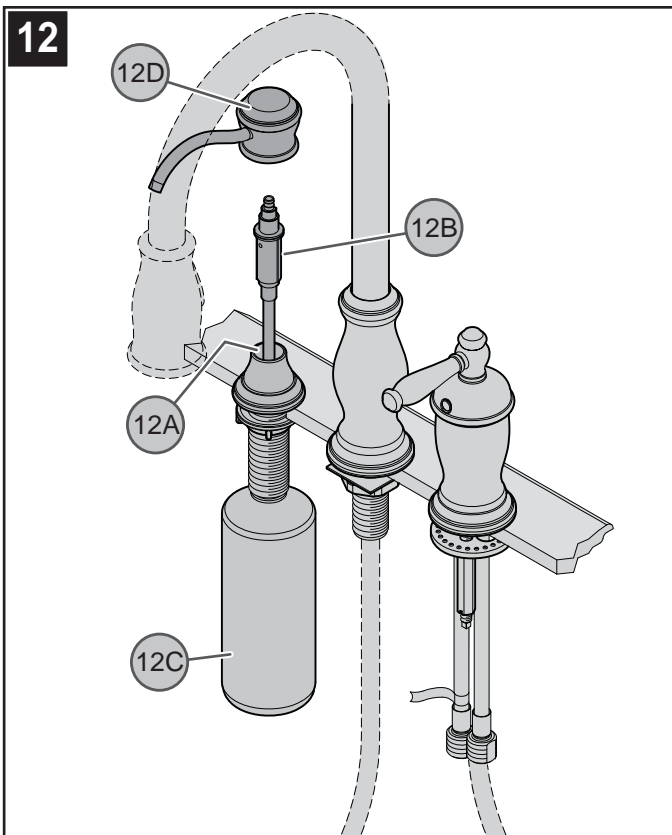
Desde abajo del fregadero, empuje el conector rápido (10A) situada en el extremo de la manguera desmontable (10B) firmemente hacia arriba sobre el tubo de recibo (10C) hasta que ya no se pueda empujar más. Tire hacia abajo el conector rápido (10A). Si la caja y la boquilla interior (10D) se separan ligeramente pero no se desprenden del tubo de recibo (10C), la conexión rápida está firme.





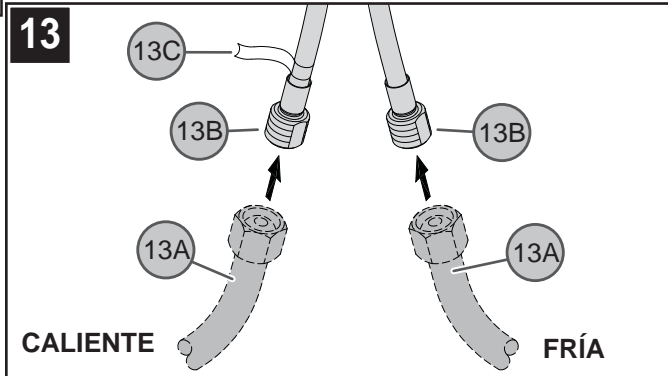
**11 CÓMO INSTALAR EL DISPENSADOR DE JABÓN**

Introduzca la espiga roscada (11A) del dispensador de jabón en el empaque (11B) contra espuma y el agujero del fregadero. Apriete la tuerca (11C) y enrosque la botella (11D) a la espiga (11A).



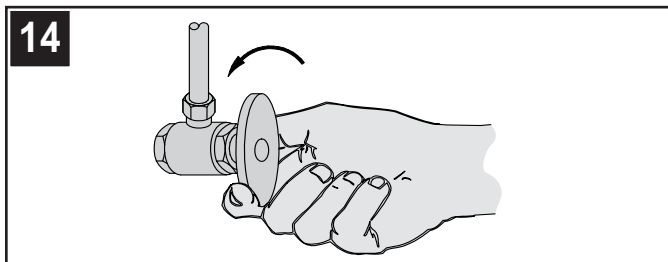
**12 CÓMO INSTALAR EL CABEZAL DEL DISPENSADOR DE JABÓN**

Vierta jabón líquido (no incluido) en el orificio para la espiga (12A). Introduzca el mecanismo de la bomba (12B) en el cuerpo del dispensador de jabón (12C). Coloque la cabeza del dispensador (12D) presionando firmemente el mecanismo del dispensador.



**13 CONEXIONES DE SUMINISTRO DE AGUA**

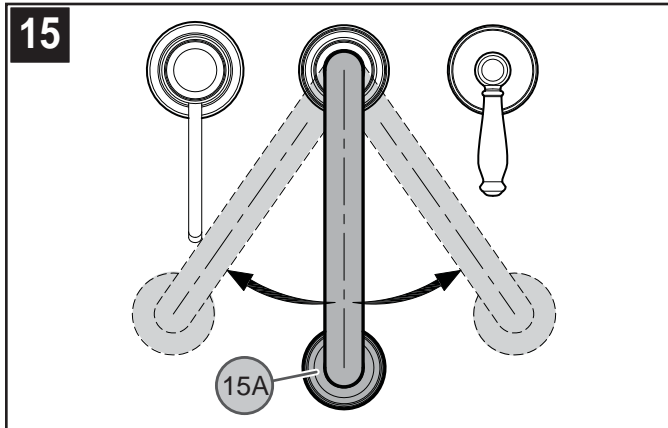
Conecte las tuberías de suministro de agua (13A) a las entradas del grifo (13B). Conecte la línea de suministro de agua caliente al conector de entrada de agua caliente (13C) indicado con la etiqueta roja. (Las tuberías de suministro no está incluidos). Siga las instrucciones del fabricante al instalar las líneas de fuente.



**14 CÓMO ENCENDER LA UNIDAD**

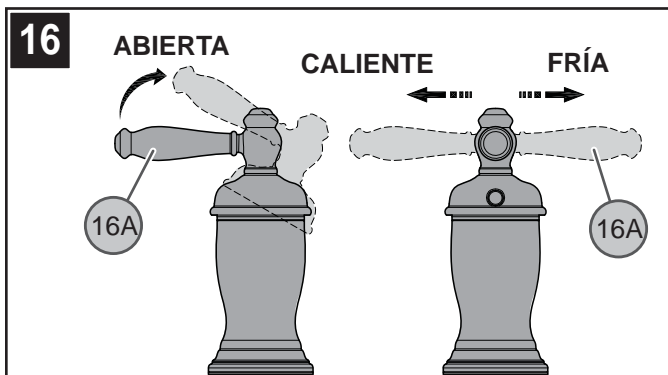
Active el suministro de agua fría y caliente y verifique que no hay fugas arriba y abajo del fregadero.

**FUNCIONES DEL GRIFO**



**15 FUNCIÓN DEL SURTIDOR**

El surtidor (15A) puede girarse alrededor del cuerpo del grifo en cualquier dirección.

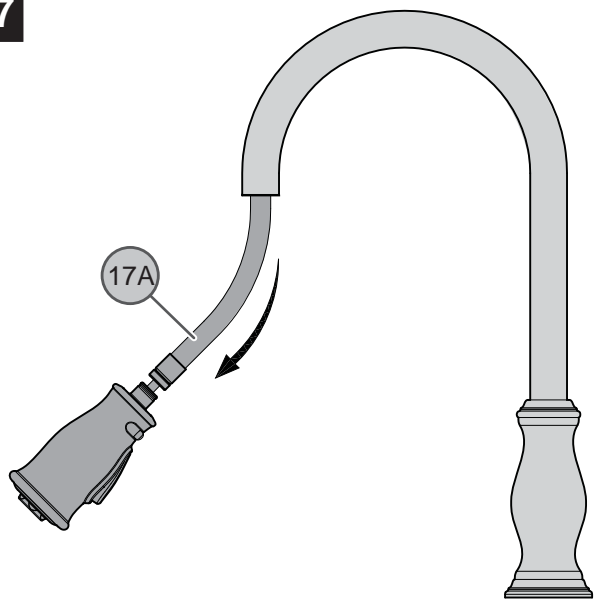


**16 FUNCIÓN DE LA VÁLVULA**

Al levantar la manija de palanca (16A), la válvula se activará y permitirá el flujo de agua. El flujo de agua aumentará al continuar levantando la manija de palanca (16A). Al girar la manija de palanca (16A) en sentido contrahorario, la temperatura del agua disminuirá hasta completamente fría. Al girar la manija de palanca (16A) en sentido horario, la temperatura del agua aumentará hasta completamente caliente.

**Nota:** Debe purgar el grifo antes de abrir las válvulas (consulte al paso 21).

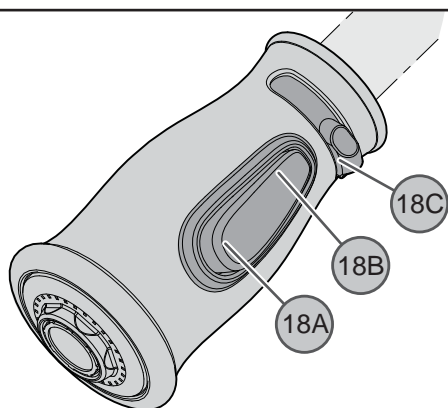
17



**17 FUNCIONAMIENTO DEL ROCIADOR LATERAL**

El rociador lateral (17A) puede tirarse hacia adelante para rociar agua en cualquier dirección.

18

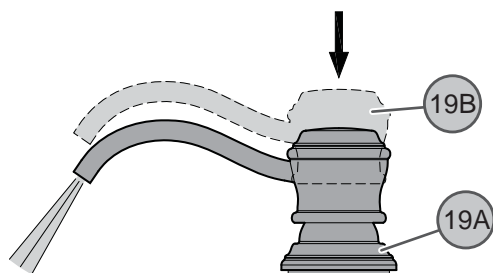


**18 ACTIVACIÓN DEL ROCIADO**

Para activar el modo de rociado, simplemente oprima el botón basculante (18A) situado debajo de la cabeza de rociado. Usted puede alternar entre rociado y flujo continuo oprimiendo los costados opuestos del botón basculante (18A/18B) mientras el grifo está abierto. El flujo de agua aumentará al deslizar el interruptor de selección (18C).

Nota: El grifo siempre se abrirá en el modo de flujo continuo.

19

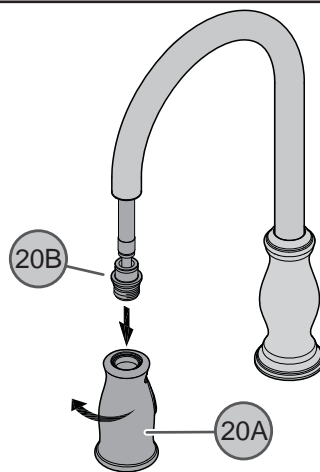


**19 FUNCIONAMIENTO DEL DISPENSADOR DE JABÓN**

Para activar el dispensador de jabón (19A), presione la cabeza del dispensador (19B) para rociar un poco de jabón líquido.

**MANTENIMIENTO Y CUIDADO**

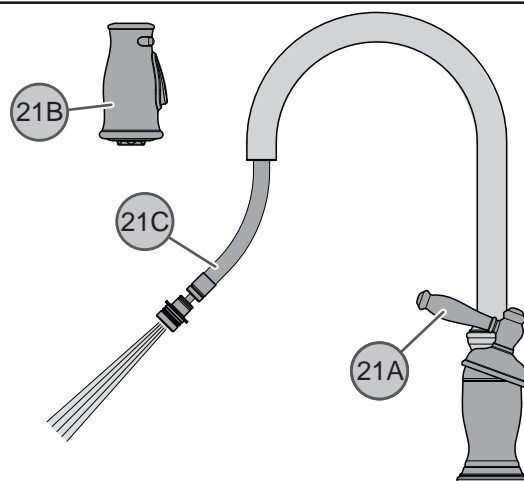
20



**20 RETIRO DE LA CABEZA DE ROCIADO**

Para impedir los daños a los componentes internos del grifo debido a residuos acumulados en las líneas de agua, será necesario purgar el grifo. Para purgar es necesario quitar la cabeza de rociado (20A). Para quitar la cabeza de rociado (20A), sostenga el conector de metal de la manguera (20B) y gire la cabeza de rociado (20A) en sentido contrahorario.

21

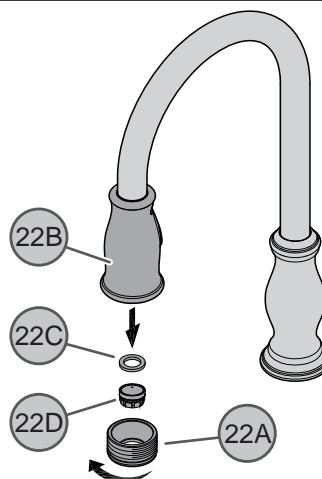


**21 ENJUAGUE**

Levante la manija de la válvula (21A) a la posición completamente abierta. Deje correr el agua durante un minuto. Repita en las posiciones caliente y fría. Reinstale la cabeza de rociado (21B) en la manguera desmontable (21C) girando la cabeza de rociado de la manguera (21C) en sentido horario.

Precaución: No apriete demasiado la cabeza de rociado / manguera desmontable.

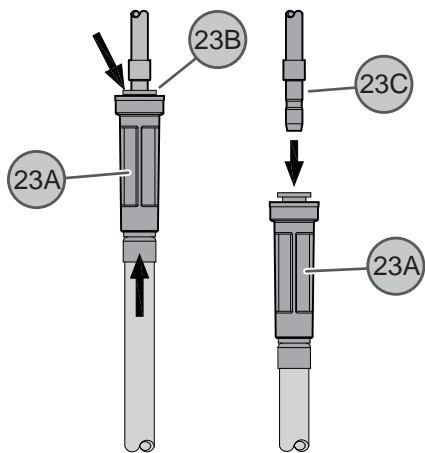
22



**22 LIMPIEZA DEL AIREADOR**

Con el tiempo, el aireador en el grifo podría taparse con residuos. Para limpiar el aireador, destornille la caja del mismo (22A) de la cabeza de rociado (22B). Quite el sello del aireador (22C) y el cartucho del aireador (22D) de la caja del aireador. Limpie el cartucho del aireador (22D) y el anillo de rociado (22A).

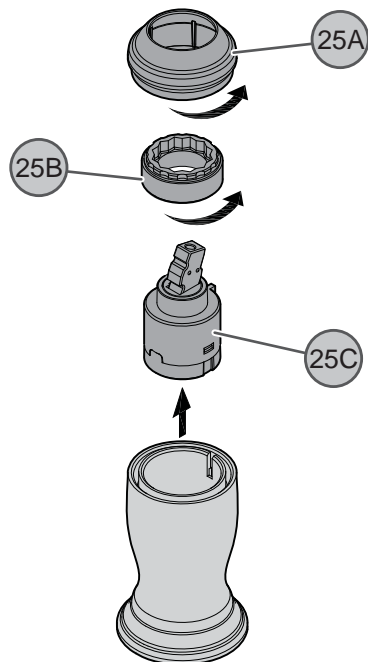
23



**23 RETIRO DE LA MANGUERA DESMONTABLE**

Para quitar el accesorio de conexión rápida, Empuje hacia arriba el conector rápido (23A). Manteniendo la boquilla de plástico (23B) en posición, empuje hacia abajo el conector rápido (23A) hasta que el tubo (23C) se desprenda.

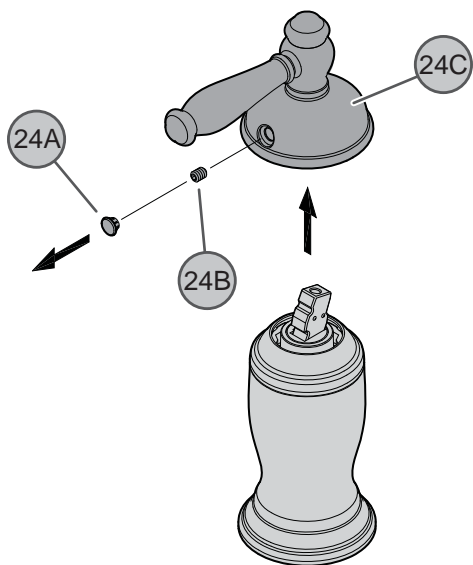
25



**25 REEMPLAZO DEL CARTUCHO**

Cierre los suministros de agua y alivie la presión antes de trabajar en el grifo. Retire la manija (consulte al paso 24). Quite la tapa en forma de cúpula (25A) destornillándola en sentido contrahorario. Destornille el anillo de retención (25B) con alicates. Quite el cartucho (25C) con cuidado halándolo en forma recta hacia arriba y hacia afuera. Reensamble la válvula siguiendo los pasos en orden inverso.

24



**24 RETIRO DE LA MANIJA**

Cuidadosamente quite del botón de la manija (24A). Con una llave inglesa de 3/32 pulg., quite el tornillo de fijación (24B) y retire la manija (24C).



**PRECAUCIÓN: Mantenimiento CÓMO DESARMAR:**

1. El almacén donde compró su grifo podría tener repuestos disponibles.
2. Cuando no hay repuestos disponibles, sírvase escribir o llamar al departamento de servicio al consumidor de Price Pfister.
3. Siempre antes de efectuar algún trabajo en su grifo, cierre el agua y elimine la presión.



**NOTA: Cuidado del Acabado**

**Instrucciones para limpieza:**

Para limpiar y hacer brillar las manijas y el acabado decorativo use solamente un paño suave y húmedo. El uso de pulidores, detergentes, limpiadores abrasivos, solventes orgánicos o ácidos puede provocar daños. ¡El uso de algo más que un paño suave y húmedo invalida nuestra garantía!

**Acabados especiales:**

Los productos con acabados que contienen porcelana u otras sustancias similares no son aceptables para áreas públicas ni para usos comerciales. ¡Su instalación bajo tales circunstancias es bajo el riesgo del usuario!



**1-800-PFAUCET (1-800-732-8238)**

Para obtener información mediante llamadas gratis, llame al 1-800-PFAUCET (1-800-732-8238) o visite [www.pricepfister.com](http://www.pricepfister.com)

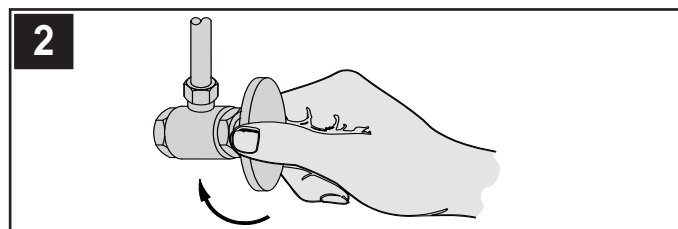
- Apoyo a instaladores
- Información sobre cuidado y garantías

Merci d'avoir acheté ce produit Price Pfister. Tous les produits Price Pfister sont fabriqués avec soin et contrôlés à l'usine pour offrir une longue durée de service sans problème dans des conditions d'utilisation normales. Il est facile de poser ce produit à l'aide d'un outillage de base et de nos illustrations très claires. Pour toute question concernant ce produit, appeler le 1-800-Pfauet (1-800-732-8238).

## 1 AVANT DE PROCÉDER À LA POSE

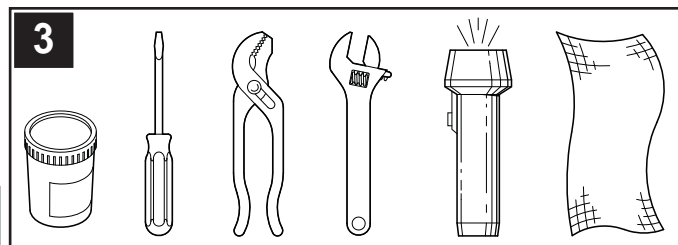
**AVERTISSEMENT** : lire attentivement toutes les instructions avant de procéder à la pose. Price Pfister recommande de faire appel à un professionnel en cas d'incertitude quant à l'installation de ce produit !

Ce produit doit être installé conformément à l'ensemble de la réglementation locale et provinciale applicable à la plomberie et à la construction.



## 2 COUPURE DE L'ARRIVÉE D'EAU

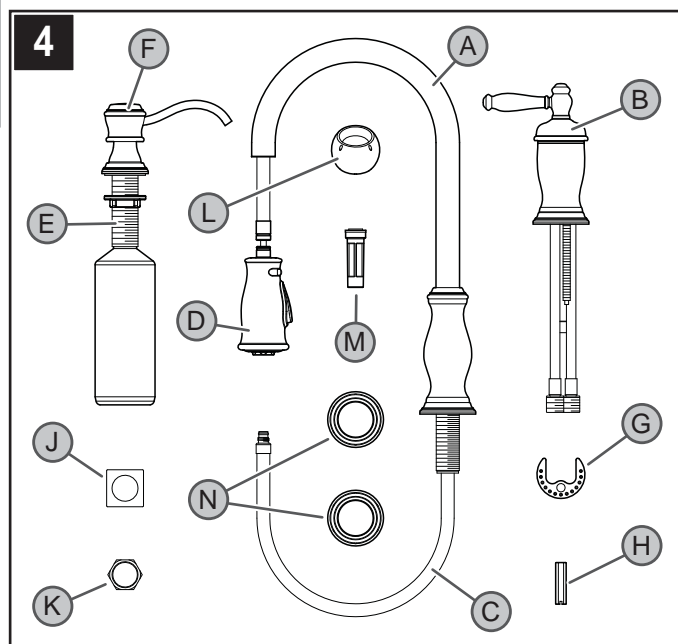
Repérer les arrivées d'eau et fermer leurs robinets. Ces robinets se trouvent généralement sous le lavabo ou à côté du compteur d'eau. En cas de remplacement d'un robinet existant, le déposer du lavabo et nettoyer soigneusement la surface de ce dernier.



## 3 OUTILLAGE RECOMMANDÉ

- Mastic de plombier
- Tournevis plat
- Pince
- Clé à molette
- Lampe de poche
- Chiffon

L'installation peut exiger des tuyaux d'arrivée et/ou des vannes d'arrêt neufs ou d'autres outils.



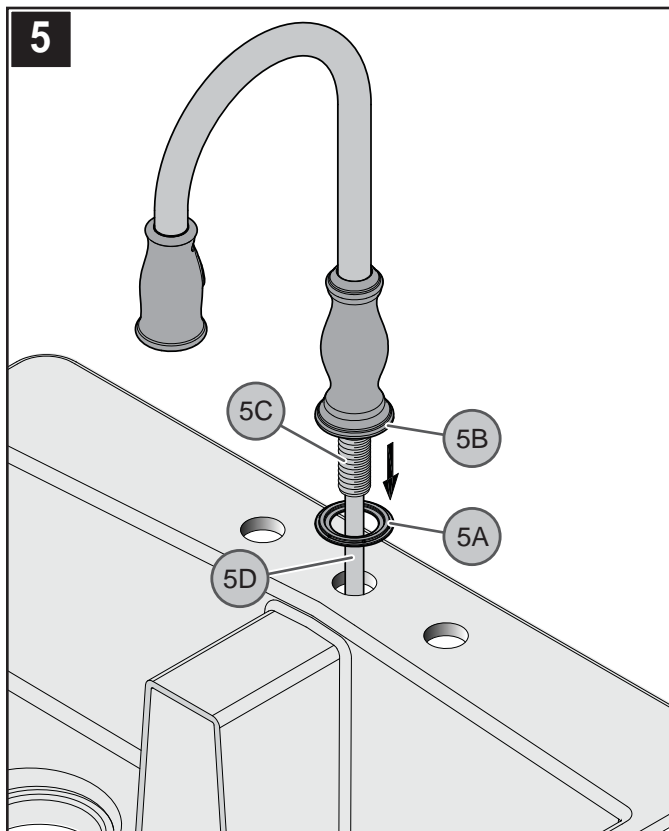
## 4 VÉRIFICATION DU CONTENU DE LA BOÎTE

Lors de l'ouverture de la boîte, vérifier son contenu pour s'assurer que toutes les pièces suivantes accompagnent le mitigeur :

- |                       |                         |                                |
|-----------------------|-------------------------|--------------------------------|
| A Corps du bec        | B Corps de la valve     | C Flexible extensible          |
| D Douchette           | E Distributeur de savon | F Tête d distributeur de savon |
| G Rondelle métallique | H Long écrou            | J Carré Rondelle               |
| K Écrou de montage    | L Mass                  | M Connecteur rapide            |
| N Bague de mastic     |                         |                                |

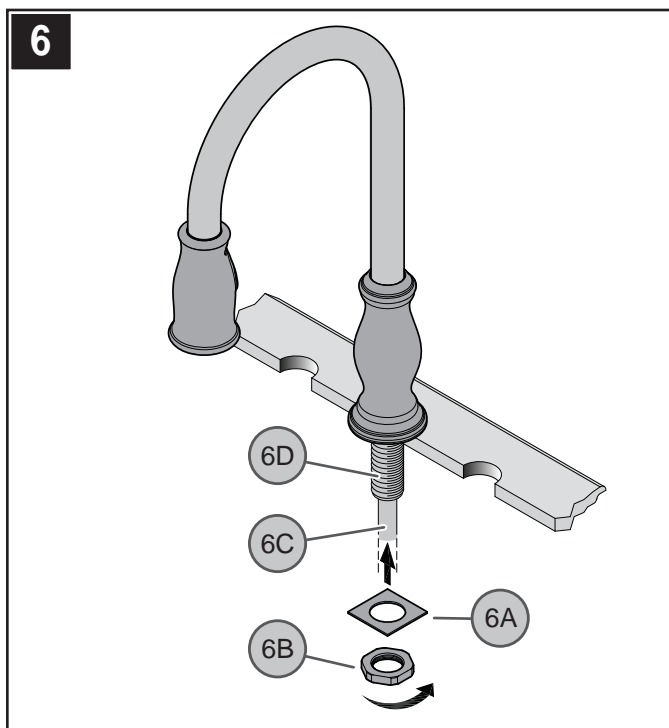
Si l'une quelconque de ces pièces manque, bien vouloir contacter le département du service après-vente de Price Pfister au 1-800-Pfauet (1-800-732-8238).

## INSTALLATION DE ROBINET



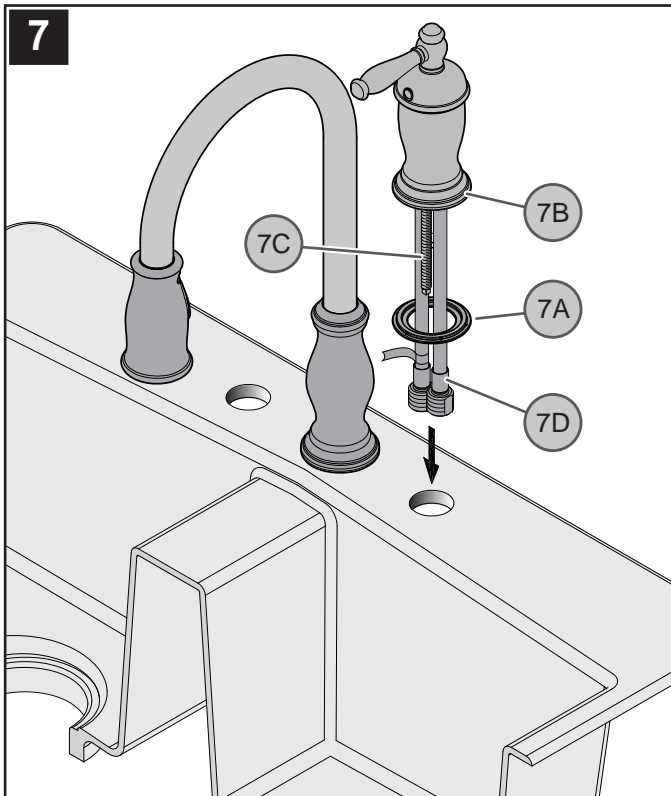
### 5 INSTALLATION DU CORPS DU BEC

Placez la bague de mastic (5A) sous la corps du bec (5B). De au-dessus de l'évier, insérer le queue de montage (5C) et le flexible (5D) par tout trou d'évier.



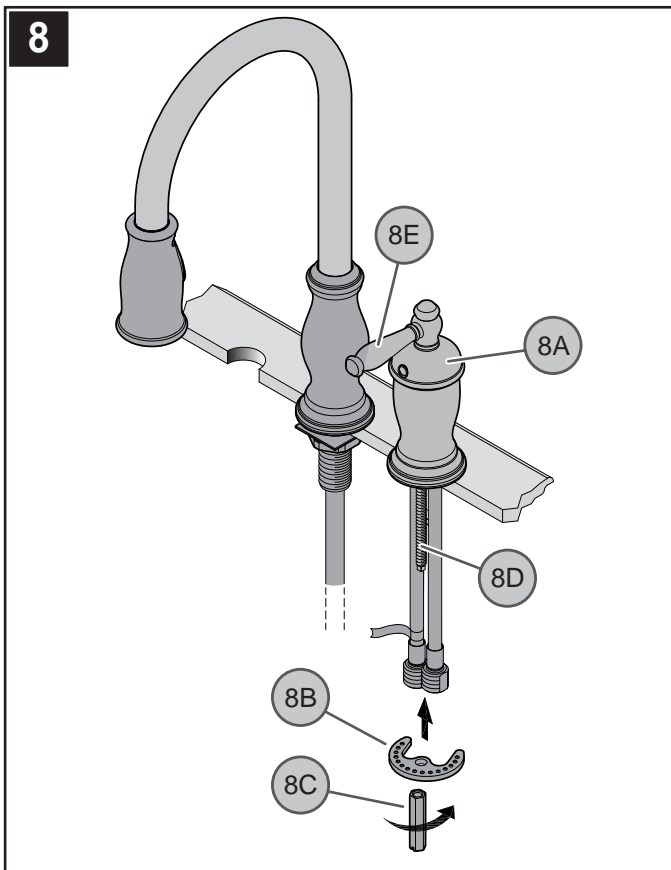
### 6 FIXATION DU CORPS DU BEC

Depuis le dessous de l'évier, poser la carré rondelle (6A) et le gros écrou en laiton (6B) par-dessus le tuyau (6C). Les serrer partiellement sur la queue de montage (6D) du mitigeur. Serrer fermement le mitigeur sur l'évier.



### 7 INSTALLATION DU CORPS DE LA COMMANDE

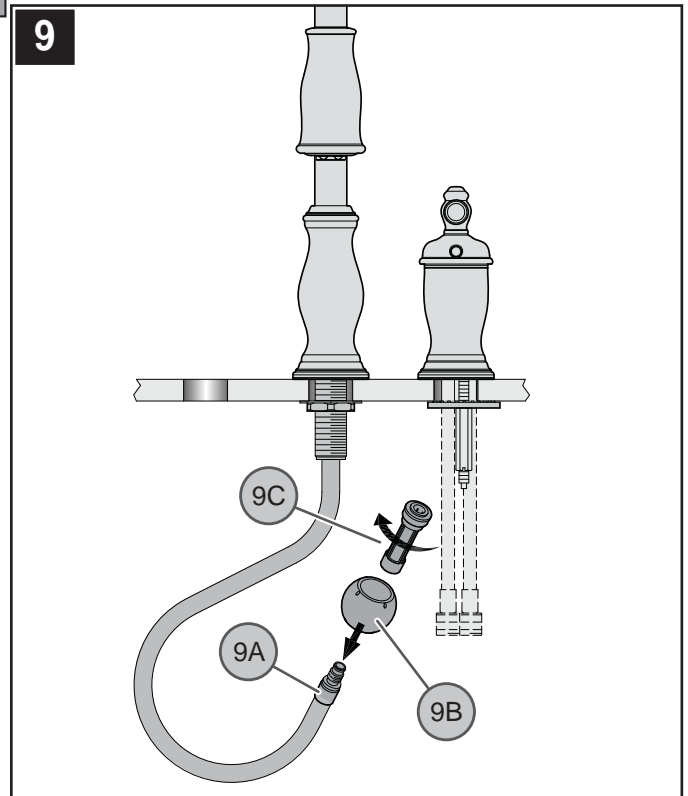
Placez la bague de mastic (7A) au corps du bec (7B). De au-dessus de l'évier, au travers du trou central de l'évier, faire (7C) passer la tiges (7D) et le tuyau souple du corps de la commande.



### 8 FIXATION DU DU CORPS DE LA COMMANDE

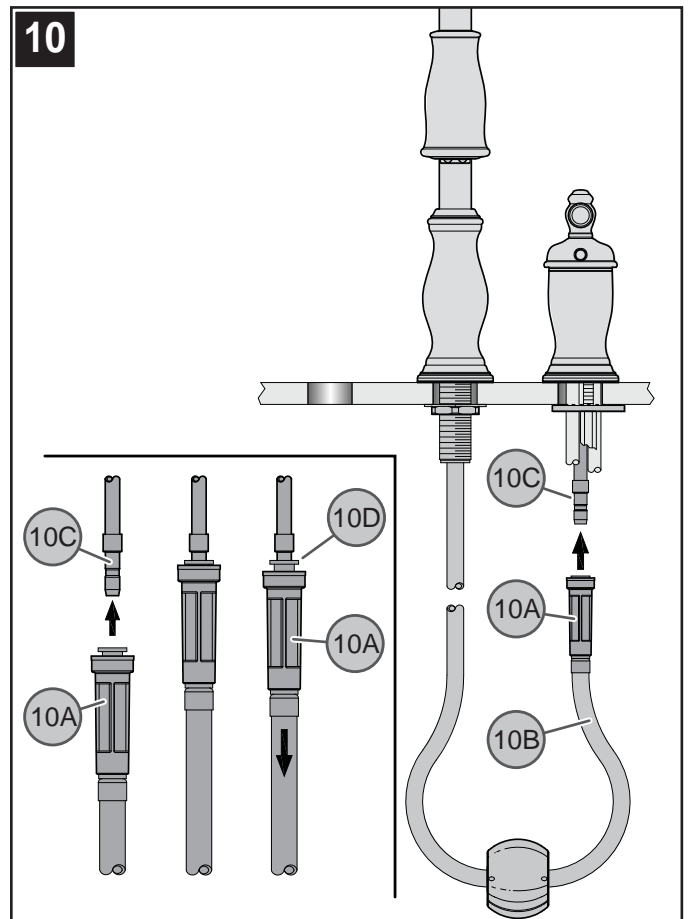
Depuis le dessous de l'évier, fixer la commande (8A) en plaçant la rondelle métallique (8B) et en vissant l'écrou long (hex.  $7/16$  po) (8C) sur la tige filetée de montage (8D). S'assurer que les bosses de la rondelle métallique (8B) sont sur le dessus. Serrer partiellement en s'assurant que la manette (8E) pivote autant dans les deux sens. Avec la main serrez la l'écrou long (8C). Assurez que la l'écrou long (8C) mais ne dépasse pas une quart retour.

Attention : ne pas trop serrer !



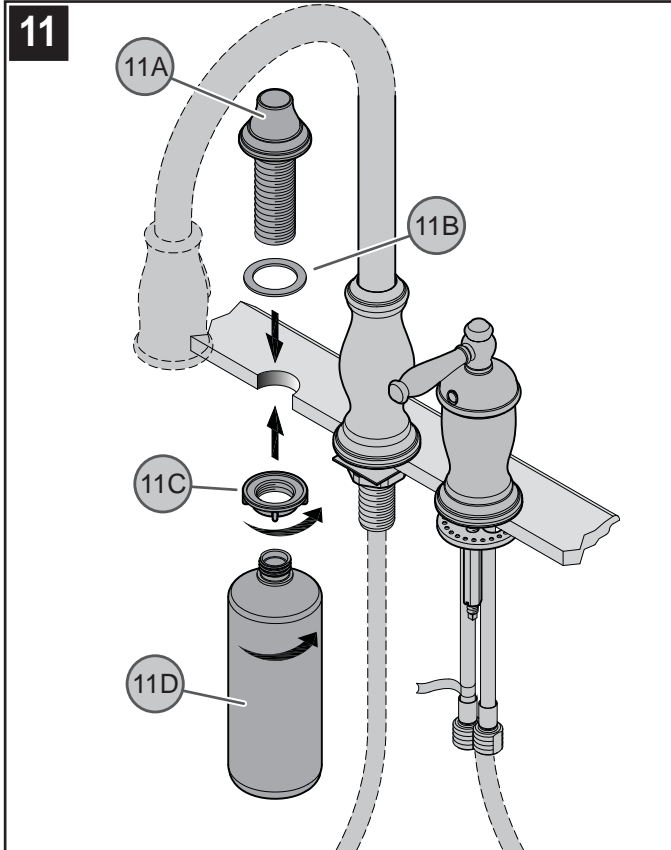
### 9 FIXATION DE LA MASSE ET RACCORD RAPIDE

Insérer l'extrémité du flexible extensible (9A) dans la masse (9B). Les serrer le boîtier le connecteur rapide (9C) à l'extrémité du fl flexible extensible (9A)



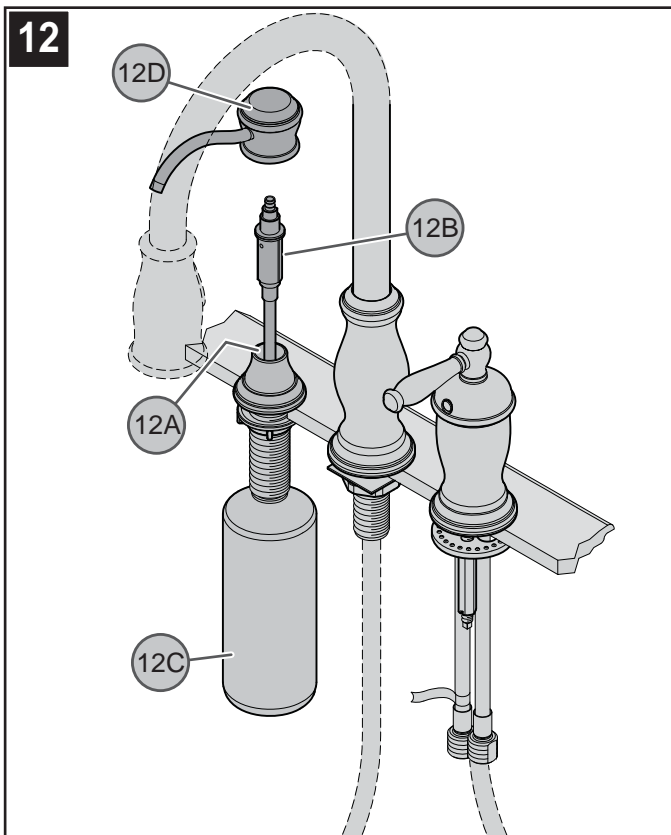
### 10 RACCORDEMENT DU FLEXIBLE EXTENSIBLE

Depuis le dessous de l'évier, pousser le connecteur rapide (10A) qui se trouve à l'extrémité du flexible extensible (10B) fermement à fond vers le haut sur le tube récepteur (10C). Tirer vers le bas sur le connecteur rapide (10A). Si le boîtier et le récepteur intérieur (10D) se séparent légèrement sans se désaccoupler, le raccord rapide du tube récepteur (10C) est bien assujéti.



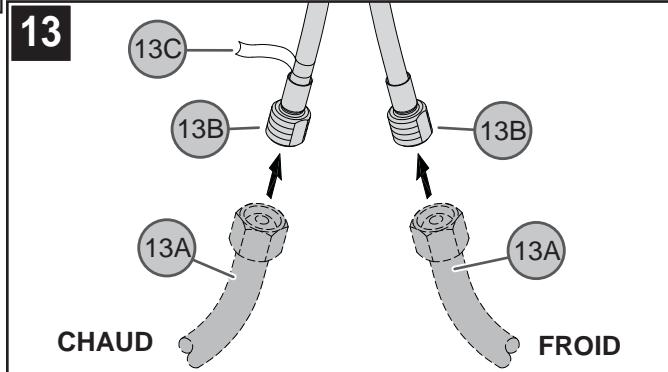
### 11 POSE DU DISTRIBUTEUR DE SAVON

Introduire la tige filetée (11A) du distributeur de savon dans le joint en mousse (11B) et le trou de l'évier. Serrer l'écrou (11C) et le visser sur le réservoir (11D) à la tige (11A).



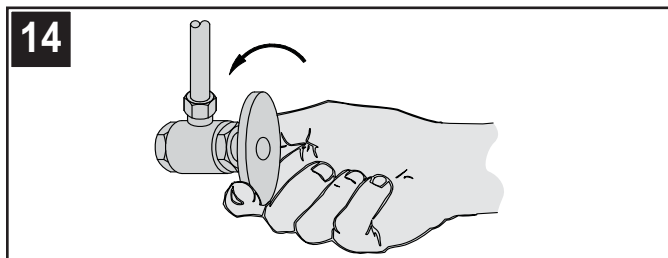
### 12 POSE DE LA TÊTE DU DISTRIBUTEUR DE SAVON

Verser du savon liquide (non fourni) dans l'orifice de la tige (12A). Enfoncer le mécanisme de pompage (12B) dans le corps du distributeur (12C). Mettre la tête (12D) de celui-ci en place en l'enfonçant sur le mécanisme de distribution (12B).



### 13 RACCORDEMENTS DES ARRIVÉES D'EAU

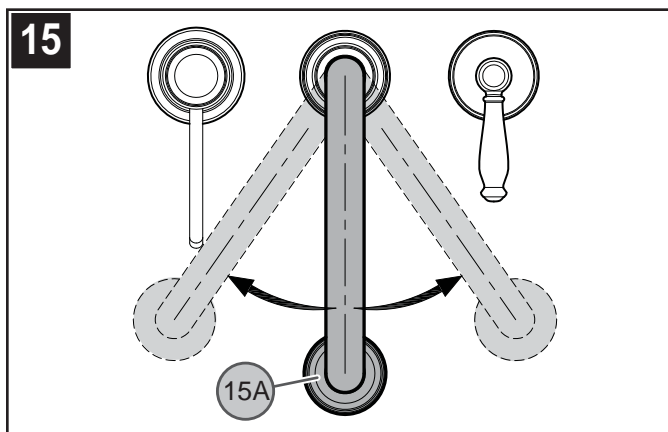
Raccorder les tuyaux d'arrivée d'eau (13A) aux entrées des robinets (13B). Raccorder le tuyau d'arrivée d'eau chaude au raccord correspondant (13C) indiqué par le étiquette rouge. (Les tuyaux d'arrivée d'eau et les raccords ne sont pas fournis). Veuillez suivre les instructions du fabricant quand installant les robinets d'arrivée.



### 14 MISE EN SERVICE DU MÉLANGEUR

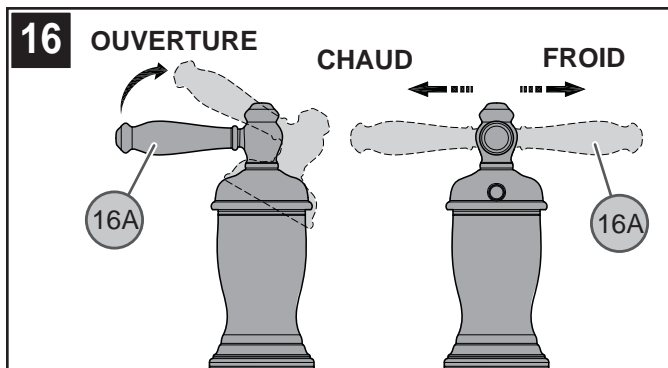
Ouvrir les robinets d'arrivée d'eau chaude et d'eau froide, puis vérifier le dessus et le dessous du lavabo pour voir s'il y a des fuites.

## FONCTIONNEMENT DES ROBINETS



### 15 FONCTIONNEMENT DU BEC

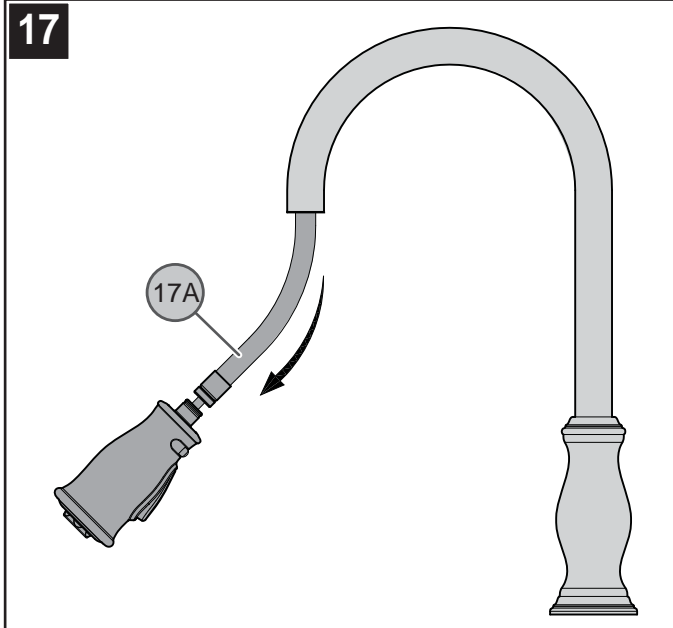
Le bec (15A) peut pivoter dans n'importe quel sens autour du corps du mitigeur.



### 16 FONCTIONNEMENT DU ROBINET

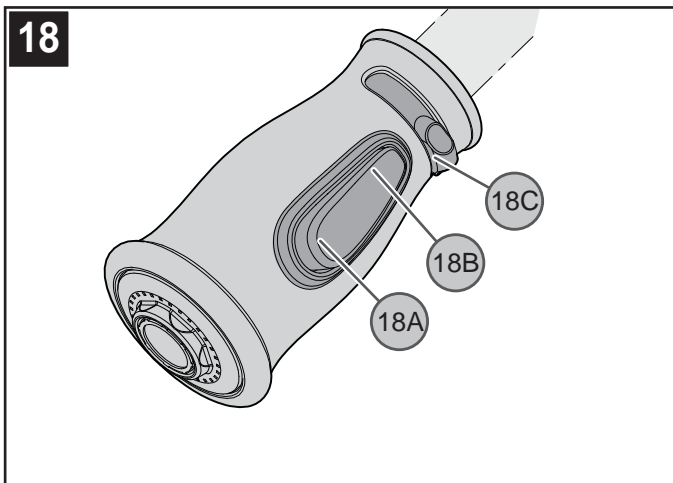
Le relevage de la manette (16A) active le robinet pour permettre à l'eau de couler. Le débit augmente au fur et à mesure que l'on relève la manette (16A). Lorsqu'on tourne la manette (16A) dans le sens antihoraire, la température de l'eau baisse jusqu'à ce que celle-ci soit tout à fait froide. Lorsqu'on tourne la manette (16A) dans le sens horaire, la température de l'eau augmente jusqu'à ce que celle-ci soit très chaude.

Note : Il doit purger le robinet avant d'ouvrir les valves (consultez au pas 21).



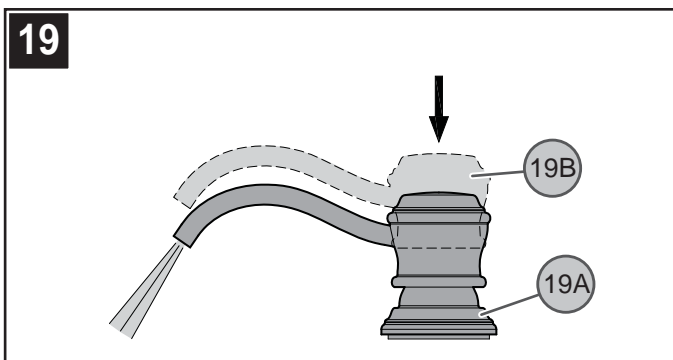
### 17 FONCTIONNEMENT DE LA DOUCHETTE LATÉRALE

La douche latérale (17A) peut être tirée vers l'avant pour pulvériser de l'eau dans toute direction.



### 18 ACTIVATION DE LA PULVÉRISATION

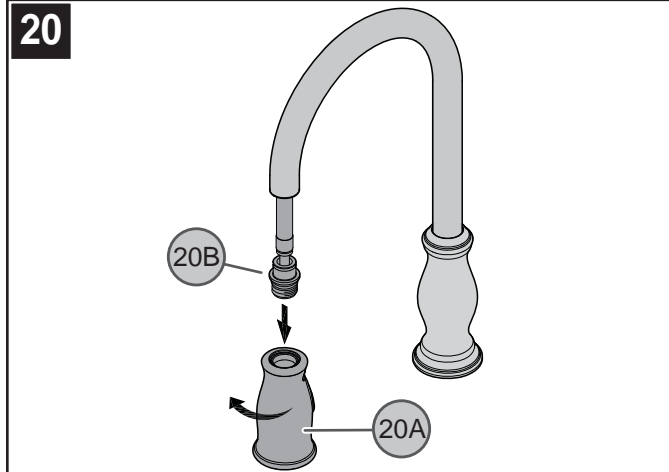
Pour activer le mode de pulvérisation, il suffit d'appuyer sur le bouton à bascule (18A) qui se trouve sous la douche. Il est possible d'alterner entre pulvérisation et écoulement en appuyant sur les côtés opposés du bouton à bascule (18A/18B) alors que le mitigeur est ouvert. Le flux d'eau augmentera au desliar l'interrupteur de sélection (18C).  
Remarque : le mitigeur s'ouvre toujours en mode d'écoulement normal.



### 19 FONCTIONNEMENT DU DISTRIBUTEUR DE SAVON

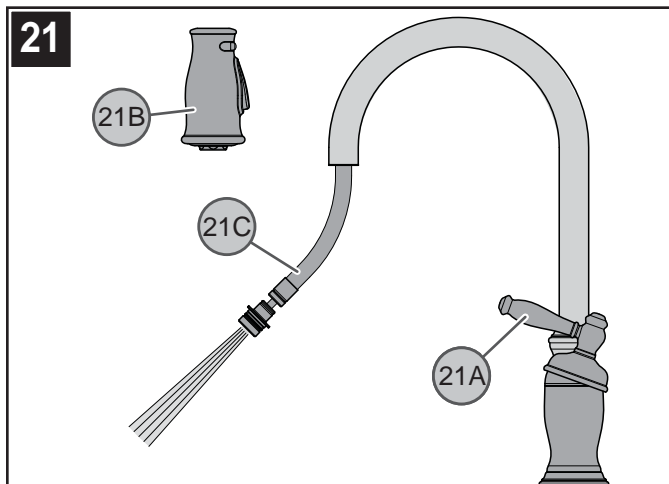
Pour activer le distributeur de savon (19A), pressez la tête du distributeur (19B) pour arroser un peu de savon liquide.

## ENTRETIEN ET SOINS



### 20 DÉPOSE DE LA DOUCHETTE

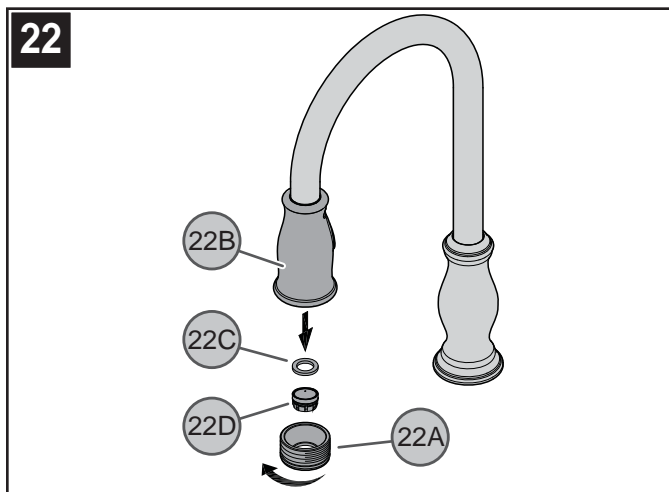
Pour éviter que les pièces internes du mitigeur ne soient endommagées par des débris pouvant s'être accumulés dans les tuyauteries d'eau, il est nécessaire de rincer le mitigeur. Ce rinçage exige la dépose de la douche (20A). Tenez le raccord métallique (20B) pour déposer la douche (20A), tourner le raccord la douche (20A) dans le sens antihoraire.



### 21 RINÇAGE

Soulever la manette (21A) de la commande au maximum. Faire couler l'eau pendant une minute. Répéter l'opération dans les positions eau chaude et eau froide. Remonter la douche (21B) sur le flexible extensible (21C) en tournant le Douche (21B) dans le sens horaire.

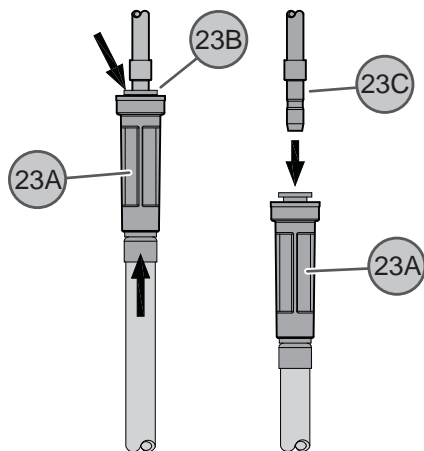
Attention : ne pas trop serrer la douche sur le flexible extensible.



### 22 NETTOYAGE DE L'AÉRATEUR

Avec le temps, il peut arriver que des débris obstruent l'aérateur du mitigeur. Pour nettoyer l'aérateur, dévisser son boîtier (22A) de la douche (22B). Dévisser le logement de l'aérateur / pulvérisateur (22C) du bas de la tête de pulvérisation (22D). Retirer le joint de l'aérateur (22A) et la cartouche de l'aérateur du logement de l'aérateur / pulvérisateur. Nettoyer la cartouche de l'aérateur (22D) et la bague de pulvérisation.

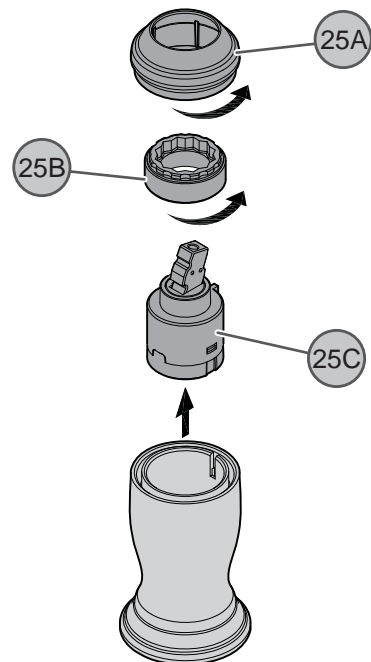
23



### 23 DÉBRANCHEMENT DU FLEXIBLE EXTENSIBLE

Pour débrancher le raccord rapide, pousser le connecteur rapide (23A) vers le haut. Tout en maintenant le manchon gris en plastique (23B) en place, tirer le connecteur rapide (23A) de raccord rapide vers le bas jusqu'à ce que le tube (23C) soit libéré.

25



### 25 REMPLACEMENT DE LA CARTOUCHE

Couper les arrivées d'eau et dépressuriser avant de travailler sur le mitigeur. Déposer la manette (consultez au pas 24). Retirer le capuchon bombé (25A) en le dévissant dans le sens antihoraire. Dévisser l'anneau de retenue (25B) à l'aide d'une pince. Enlever la cartouche (25C) avec précaution en la tirant droit vers le haut. Remonter le mitigeur en inversant l'ordre de ces opérations.



### ATTENTION : entretien

#### DÉMONTAGE

1. Il se peut que les pièces de rechange soient disponibles dans le magasin dans lequel le mélangeur a été acheté.
2. Lorsque des pièces de rechange ne sont pas disponibles, bien vouloir contacter le département du service après-vente de Price Pfister par courrier ou par téléphone.
3. Toujours couper les arrivées d'eau et dépressuriser avant de travailler sur le mélangeur.



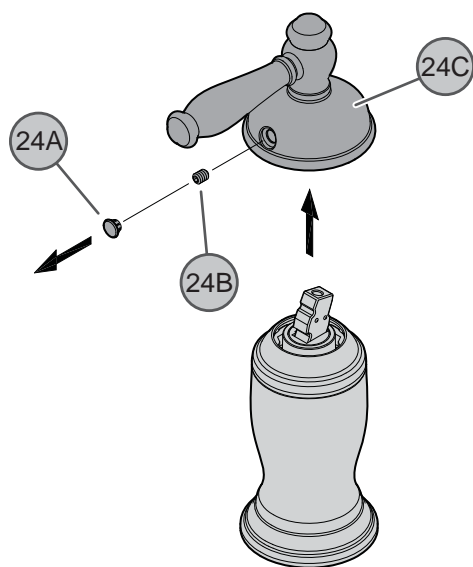
### REMARQUE : entretien des garnitures

#### Instructions de nettoyage :

N'utiliser qu'un chiffon humide pour nettoyer et polir toutes les manettes et ornements décoratifs. L'utilisation de pâte à polir, de détergents, de produits nettoyants abrasifs, de solvants organiques ou d'acide peut endommager ces pièces. **L'utilisation d'autre chose qu'un chiffon humide annulera la garantie !**

**Garnitures spéciales :** les garnitures contenant de la porcelaine ou une autre substance similaire ne sont pas acceptables dans les lieux publics ou les établissements commerciaux. La pose de telles garnitures se fait aux risques de l'utilisateur.

24



### 24 DÉPOSE DE LA MANETTE

Enlevez soigneusement du bouton de la poignée (24A). Desserrer la vis de pression (24B) à l'aide d'une clé Allen de  $\frac{3}{32}$  po et déposer la manette (24C).



1-800-PFAUCET (1-800-732-8238)

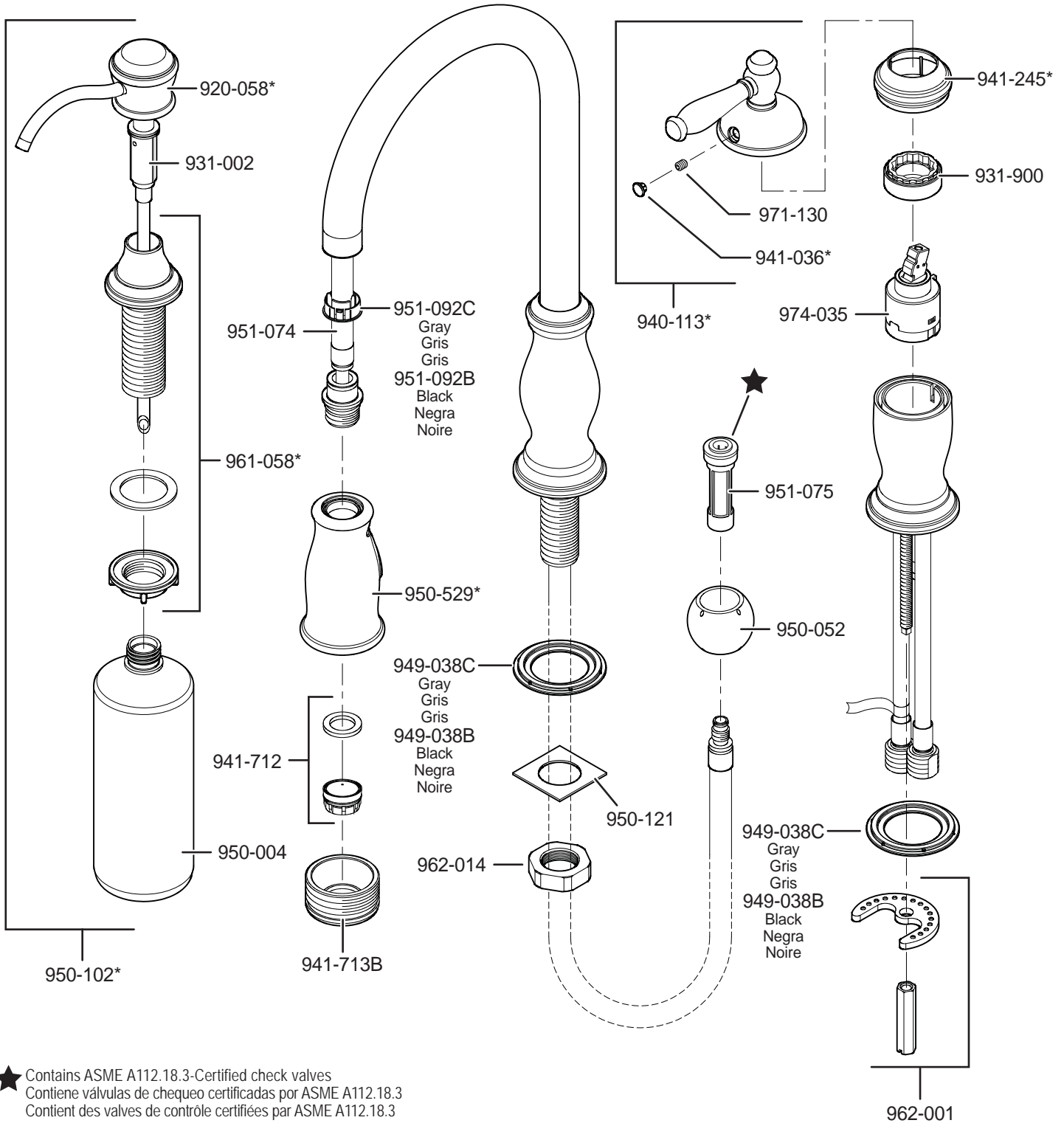
Pour les renseignements concernant le service sans frais de Pfaucet, appelez 1-800-PFAUCET (1-800-732-8238) appel ou visite [www.pricepfister.com](http://www.pricepfister.com)

- Aide pour le montage
- Renseignements sur l'entretien et la garantie





# 526-5TM • T526-TM



★ Contains ASME A112.18.3-Certified check valves  
 Contiene válvulas de chequeo certificadas por ASME A112.18.3  
 Contient des valves de contrôle certifiées par ASME A112.18.3

	English	Español	Français
*	Letter Designates Finish	La Letra Indica el Terminado	La Lettre Designe La Fini
A	Polished Chrome	Cromo Pulido	Chrome Poli
E	Rustic Pewter	Peltre Rústico	Étain Rustique
S	Stainless Steel	Acero Inoxidable	Acier Inoxydable
U	Rustic Bronze	Bronce Rústico	Bronze Rustique
Y	Tuscan Bronze	Bronce Toscano	Bronze Le Toscan
Z	Oil Rubbed Bronze	Bronce Frotado Con Aceite	Bronze Huilé

## Price Pfister™

Price Pfister's freshest Ideas in Pf faucets.

19701 DaVinci  
 Lake Forest, CA 92610  
 Phone: 1-800-Pfaucet  
 www.pricepfister.com

A BLACK & DECKER COMPANY