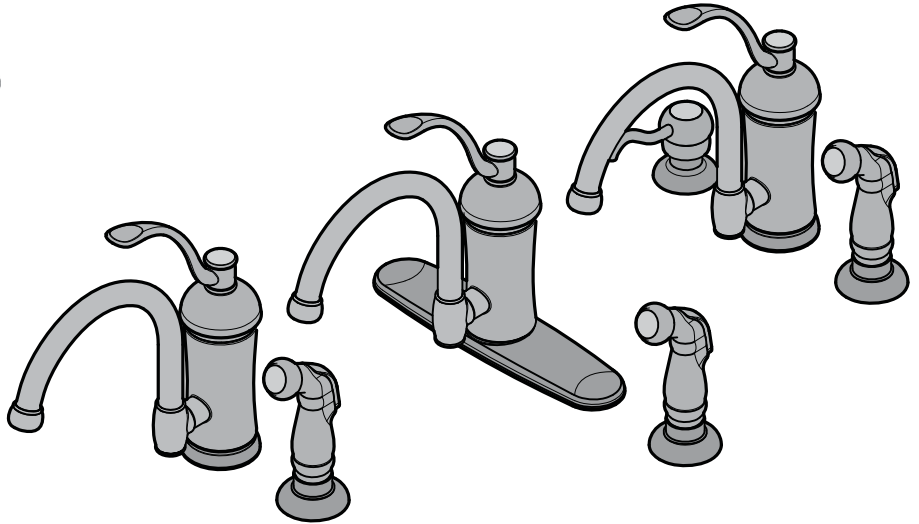


# Price Pfister®

Pf Pfreshest Ideas in Pf faucets.

34 Series  
Serie 34  
Série 34

## AMHERST™



### Single Control Kitchen Faucet Grifo monomando para la cocina Mitigeur de Cuisine



Price Pfister

Lifetime Limited Mechanical & Pfinish Warranty  
Covers Pfinish and Pfunction for as Long as You  
Own Your Home  
(Commercial Applications Limit the Duration of the  
Warranties as Provided Below)

Price Pfister provides the following Warranties for its products. Proof of Purchase may be required in order to obtain any of the benefits set forth below.

**Limited Warranties:** Price Pfister warrants that for as long as the original purchaser owns the home in which the Price Pfister product (the "Product") is originally installed, the Product will be free of all defects in material and workmanship that would impair the intended and proper use of the Product. If the Product is installed in a commercial application, the above mechanical warranty shall be limited for a period of ten (10) years from the date of purchase of the Product.

Price Pfister warrants against deterioration of the Product's finish for as long as the original purchaser owns the home in which the Product is originally installed. If the Product is installed in a commercial application, the above finish warranty for Products that do not contain the Pforever finish shall be limited to a period of five (5) years from the date of purchase.

**Exclusive Remedy:** In the event of any defect in the Product that breaches the foregoing warranties, Price Pfister, at its option, will repair or replace the defective part of the Product. Repair or replacement of the Product is the exclusive remedy.

For any remedy under this warranty, Price Pfister is to be notified describing the problem. In order to notify Price Pfister and receive assistance or service under this warranty, the original purchaser may: (1) call 1-800-Pf faucet (1-800-732-8238) for a consumer service representative who can assist you, or (2) write consumer service department c/o Price Pfister Inc., 19701 DaVinci, Lake Forest, CA 92610, and include a description of the problem, model number, your name, address, phone number and approximate date of purchase, or (3) email Price Pfister's customer service department by going to [www.PricePfister.com](http://www.PricePfister.com), or (4) notify the location or distributor from which the Product was purchased. In any case, you may be required to return the Product to Price Pfister for inspection and proof of purchase may be required.

**Limitations and Exclusions:**

PRICE PFISTER WILL NOT BE LIABLE FOR ANY OTHER DAMAGES OR LOSSES, INCLUDING, BUT NOT LIMITED TO, INCIDENTAL AND/OR CONSEQUENTIAL DAMAGES, REGARDLESS OF THE LEGAL THEORY ASSERTED, INCLUDING ANY CLAIM OR BREACH OF WARRANTY HEREUNDER OR ANY OTHER CAUSE, AND WHETHER ARISING IN CONTRACT OR IN TORT (including negligence and strict liability).

Price Pfister has the right to discontinue or modify any product at any time. Some states do not allow limitations or exclusions of incidental or consequential damages, so the above limitations or exclusions may not apply to you. This warranty gives you specific legal rights, and you may also have other rights which vary from state to state.

The above warranties do not cover damage resulting from improper maintenance, repair, cleaning or installation, misuse, abuse, alterations, accidents or acts of God.



Price Pfister

Garantía Mecánica y sobre el Acabado Limitada de por Vida  
Cubre las funciones y el acabado por el tiempo en que usted sea propietario de su casa  
(Las Aplicaciones Comerciales Limitan la Duración de las Garantías)

Price Pfister suministra las siguientes Garantías para sus productos. Es posible que se requiera la presentación de una Prueba de compra para obtener cualquiera de los beneficios indicados a continuación.

**Garantías Limitadas:** Price Pfister garantiza que por el tiempo en que el comprador original sea propietario de la casa en la que se hubiese instalado inicialmente el producto Price Pfister (el "Producto"), este Producto estará libre de todo defecto en material y mano de obra que pueda afectar el uso proyectado y correcto del Producto. Si el Producto se instala en una aplicación comercial, la garantía mecánica que antecede estará limitada a un período de diez (10) años a partir de la fecha de compra del Producto.

Price Pfister garantiza el acabado del Producto contra deterioro por el tiempo en que el comprador original sea propietario de la casa en la que hubiese instalado inicialmente el Producto. Si el Producto se instala en una aplicación comercial, la garantía sobre el acabado que precede para Productos que no contengan el acabado "Pforever" estará limitada a un período de cinco (5) años a partir de la fecha de compra.

**Recurso exclusivo:** En el caso de que haya un defecto en el Producto que viole las garantías que preceden, Price Pfister, a su opción, reparará o reemplazará la pieza defectuosa del Producto. La reparación o el reemplazo del Producto es el recurso exclusivo.

Para todo recurso con respecto a esta garantía, Price Pfister deberá ser notificado, con una descripción del problema. Para notificar a Price Pfister y recibir ayuda o servicio bajo esta garantía, el comprador original puede: (1) llamar al 1-800-Pf faucet (1-800-732-8238) para hablar con un representante de servicio al cliente que lo pueda ayudar, o (2) escribir al departamento de servicio al consumidor, c/o Price Pfister Inc., 19701 DaVinci, Lake Forest, CA 92610 U.S.A., e incluir una descripción del problema, el número del modelo, su nombre, dirección, número de teléfono y fecha aproximada de compra, o (3) enviar un e-mail al departamento de servicio al consumidor de Price Pfister entrando en la página web [www.PricePfister.com](http://www.PricePfister.com), o (4) avisarle al lugar o al distribuidor en donde se compró el Producto. En cualquiera de los casos, podría pedírsele devolver el Producto a Price Pfister para su inspección y es posible que se requiera la presentación de una prueba de compra.

**Limitaciones y Exclusiones:**

PRICE PFISTER NO SE HARÁ RESPONSABLE DE NINGÚN OTRO DAÑO O PERJUICIO, INCLUYENDO, PERO SIN ESTAR LIMITADO A DAÑOS INCIDENTALES Y/O CONSECUTENTES, SIN IMPORTAR LA TEORÍA LEGAL A LA QUE SE ALEGUE, INCLUYENDO TODO RECLAMO O VIOLACIÓN DE LA GARANTÍA PRESENTE O CUALQUIER OTRA CAUSA, Y YA SEAN COMO RESULTADO DE LA LEY CONTRACTUAL O LA DE ANTECEDENTES (incluyendo negligencia y responsabilidad estricta).

Price Pfister tiene el derecho de discontinuar o modificar cualquier producto en cualquier momento. Ciertos estados no permiten limitaciones o exclusiones de daños incidentales o consecuentes, de manera que es posible que las limitaciones o exclusiones que preceden no correspondan en su caso. Esta garantía le otorga derechos legales específicos y es posible que usted también tenga otros derechos que difieren entre un estado y otro.

Las garantías que preceden no cubren daños y perjuicios ocasionados como resultado de mantenimiento, reparaciones, limpieza o instalación inadecuadas, mal uso, abuso, alteraciones, accidentes o causas de fuerza mayor.



Price Pfister

Une garantie limitée à vie  
pour ce qui est de l'aspect mécanique et de la finition,  
tant et aussi longtemps que vous serez propriétaire  
de votre domicile.  
(Garantie limitée en cas d'utilisation commerciale  
- voir ci-dessous)

Veillez noter qu'une preuve d'achat peut être requise en cas de recours au titre de la garantie.

**Garantie limitée:** Tant et aussi longtemps que l'acheteur sera propriétaire du domicile dans lequel le produit Price Pfister a été installé, nous lui garantissons que ce dernier sera exempt de tout défaut de matériel ou vice de fabrication pouvant en entraver l'utilisation correcte tel que prévu. Dans le cas des produits d'utilisation commerciale, la garantie exprimée ci-dessus est restreinte à une période de dix (10) ans.

Par ailleurs, tant et aussi longtemps que l'acheteur sera propriétaire du domicile dans lequel le produit Price Pfister a été installé, nous lui garantissons un article dont la finition ne pourra se détériorer. Dans le cas des produits d'utilisation commerciale qui ne comportent pas la finition "Pforever", la garantie est restreinte à une période de cinq (5) ans.

**Recours exclusif:** En cas de défaut du produit relevant de la garantie, le fabricant pourra, à sa discrétion, réparer ou remplacer la partie défectueuse. Cette mesure constitue un recours exclusif.

Pour tout recours au titre de la garantie, les clients doivent communiquer avec le fabricant pour lui faire part du problème. L'acheteur d'origine peut: (1) composer le 1 800 732-8238 pour parler à un représentant qui l'assistera; (2) écrire au service à la clientèle: Price Pfister Inc., 19701 DaVinci, Lake Forest, CA 92610 U.S.A., et fournir une explication du problème, en précisant le numéro de modèle, son nom, son adresse et son numéro de téléphone, ainsi que la date d'achat approximative; (3) communiquer par courrier électronique avec le service à la clientèle en utilisant le site [www.PricePfister.com](http://www.PricePfister.com), ou (4) aviser le détaillant qui a vendu le produit. On peut être obligé de retourner le produit au fabricant, et une preuve d'achat peut être exigée.

**Limitations et exclusions:**

PRICE PFISTER NE SÉRA PAS RESPONSABLE DES AUTRES DOMMAGES OU PERTES, Y COMPRIS LES DOMMAGES INDIRECTS, INDÉPENDamment DE TOUTE THÉORIE JURIDIQUE, Y COMPRIS TOUTE RÉCLAMATION SELON LAQUELLE IL Y AURAIT EU RUPTURE DE GARANTIE, QUE CE SOIT PAR RAPPORT À UN CONTRAT OU PAR VOIE DE NÉGLIGENCE (cela comprend la négligence et la responsabilité stricte).

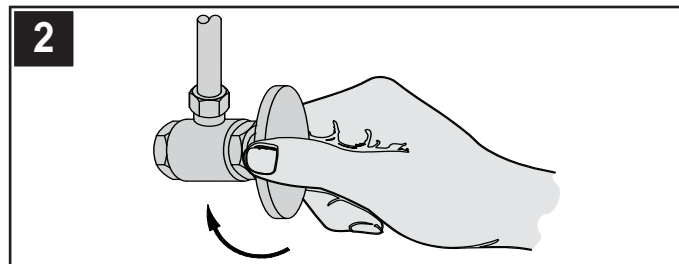
Price Pfister se réserve le droit de discontinuer ou de modifier un produit en tout temps. Certaines provinces ne permettent pas l'exclusion ou la limitation des dommages indirects, de sorte que la limitation exprimée peut ne pas s'appliquer. La présente garantie octroie aux clients certains droits d'ordre juridique, et ceux-ci pourraient en avoir d'autres, selon la province où ils habitent.

La garantie ne s'applique pas aux dommages résultant d'un entretien, d'un nettoyage ou d'une installation fautivement effectués, ou encore d'usages fautifs, d'abus, de modifications, d'accidents ou de catastrophes naturelles.

Thank you for purchasing this Price Pfister product. All Price Pfister products are carefully engineered, and factory tested to provide long trouble-free use under normal conditions. This product is easy to install using basic tools and our easy to follow illustrated instructions. If you have any questions regarding this product, call 1-800-Pfaucet (1-800-732-8238).

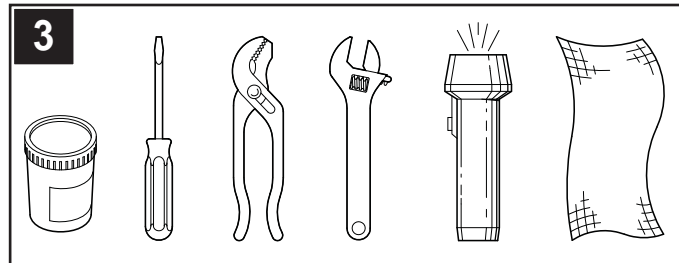
**1 BEFORE PROCEEDING**

**⚠ WARNING:** Read all the instructions completely before proceeding. Price Pfister recommends calling a professional if you are uncertain about installing this product!  
This product should be installed in accordance with all local and state plumbing and building codes.



**2 SHUT OFF WATER SUPPLY**

Locate water supply inlets and shut off the water supply valves. These are usually found under the sink or near the water meter. If you are replacing an existing faucet, remove the faucet from the sink and clean the sink surface thoroughly.

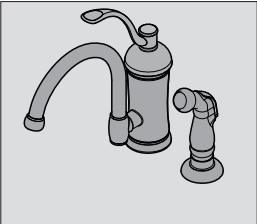


**3 TOOLS RECOMMENDED**

- Plumber's putty
- Slotted screwdriver
- Pliers
- Adjustable wrench
- Flashlight
- Cloth

Your installation may require new supply lines and / or shut-off valves or other additional tools.

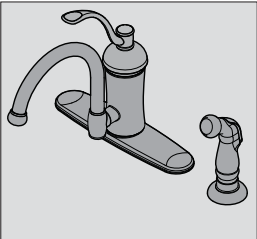
**4** **These instructions cover three different installations**



**Models 34-4H**  
Option 1:  
2 Hole With Single Post Installation

➔

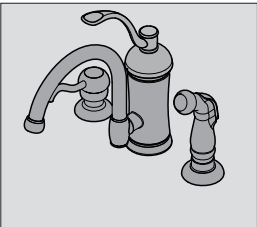
Go To Step 5



**Models 34-4H**  
Option 2:  
4 Hole With Deckplate Installation

➔

Go To Step 8



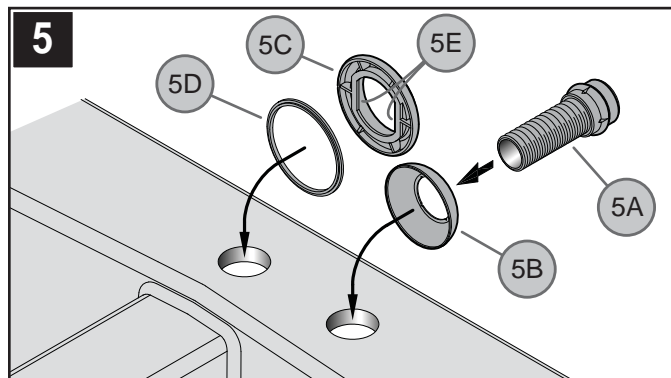
**Models 34-PH**  
3 Hole With Single Post & Soap Dispenser Installation

➔

Go To Step 11

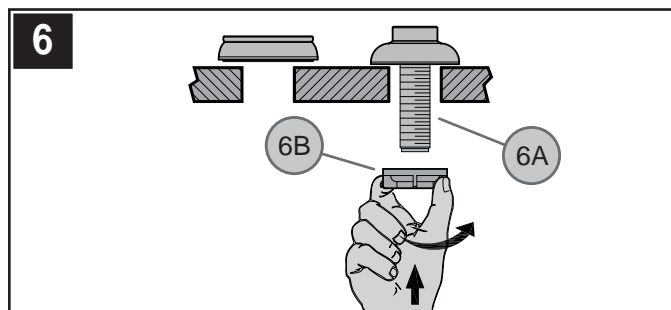
**INSTALLATION**

**2 HOLE WITH SINGLE POST INSTALLATION**



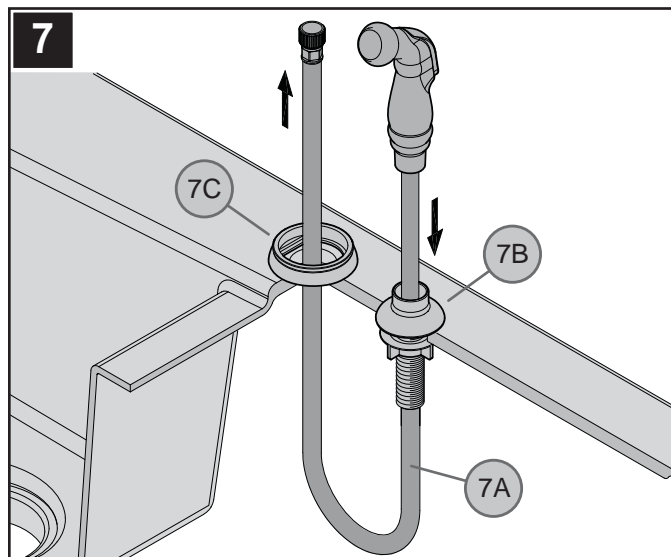
**5 MOUNTING RING & GUIDE FLANGE INSTALLATION**

Insert Hose Guide (5A) into Hose Guide Flange (5B) and onto sink hole. Place Mounting Ring (5C) over Plastic Gasket (5D) and sink hole. If desired, place a small bead of plumber's putty to underside of Hose Guide Flange (5B). Ensure that Mounting Ring (5C) sits with Flats (5E) parallel with the outer sink hole.



**6 SECURING HOSE GUIDE**

From underneath sink, secure Hose Guide (6A) by screwing Plastic Locknut (6B). Hand tighten. Caution: do not over-tighten.

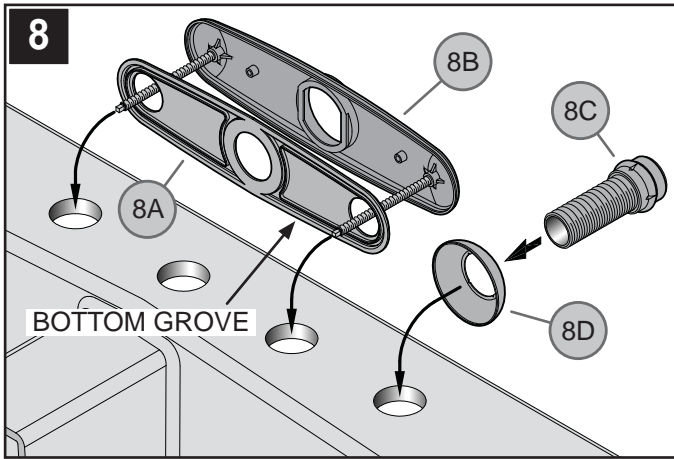


**7 SIDE SPRAY INSTALLATION**

Insert Side Spray Hose (7A) through Hose Guide (7B). From underneath sink, feed Side Spray Hose (7A) back up through the center hole of sink and through Mounting Ring (7C) so that it is above the sink.

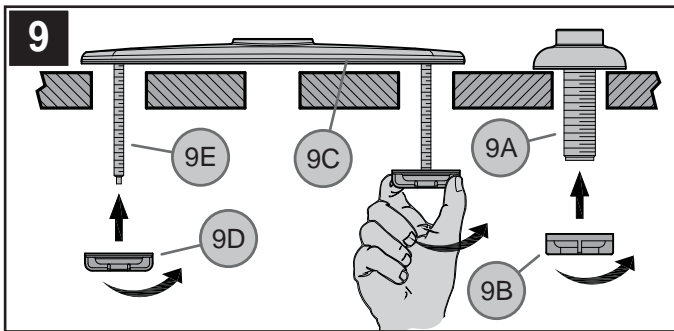


4 HOLE WITH DECKPLATE INSTALLATION



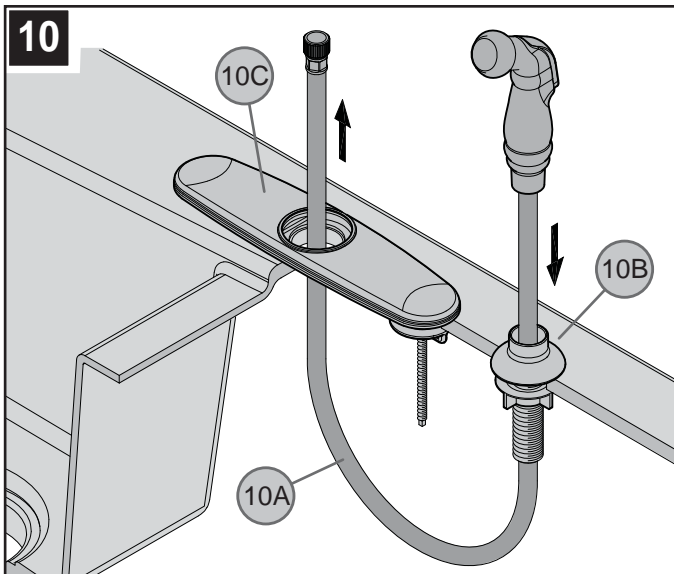
8 DECKPLATE INSTALLATION

Ensure that Plastic Putty Plate (8A) is pressed onto Deckplate (8B). Place a bead of plumber's putty in the groove along the outer edge of Putty Plate (8A). If desired, place a small bead of plumber's putty to the underside of Hose Guide Flange (8D). Insert Hose Guide (8C) into Hose Guide Flange (8D) and onto the sink hole. Install Deckplate (8B) over the holes in the sink.



9 SECURING DECKPLATE & HOSE GUIDE

From underneath sink, secure Hose Guide (9A) by screwing Plastic Locknut (9B). Secure Deckplate (9C) by screwing Wing Nuts (9D) to Mounting Posts (9E). Hand tighten. **Caution: do not over-tighten.** Remove any excess putty from around the outside edge of Deckplate (9C).

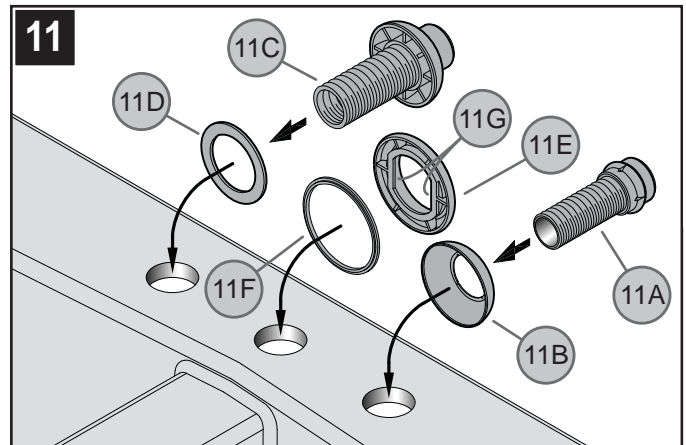


10 SIDE SPRAY INSTALLATION

Insert Side Spray Hose (10A) through Hose Guide (10B). From underneath sink, feed Side Spray Hose (10A) back up through the center hole of sink and through Deckplate (10C) so that it is above the sink.

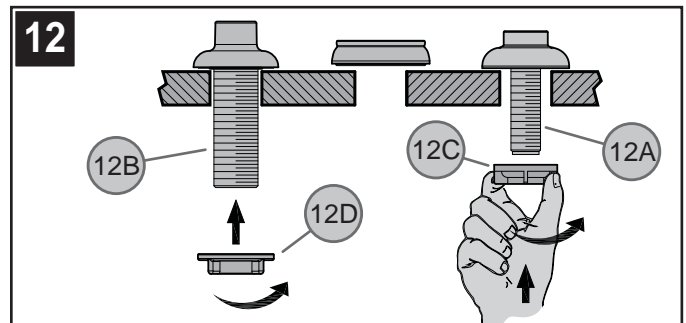


3 HOLE WITH SINGLE POST & SOAP DISPENSER INSTALLATION



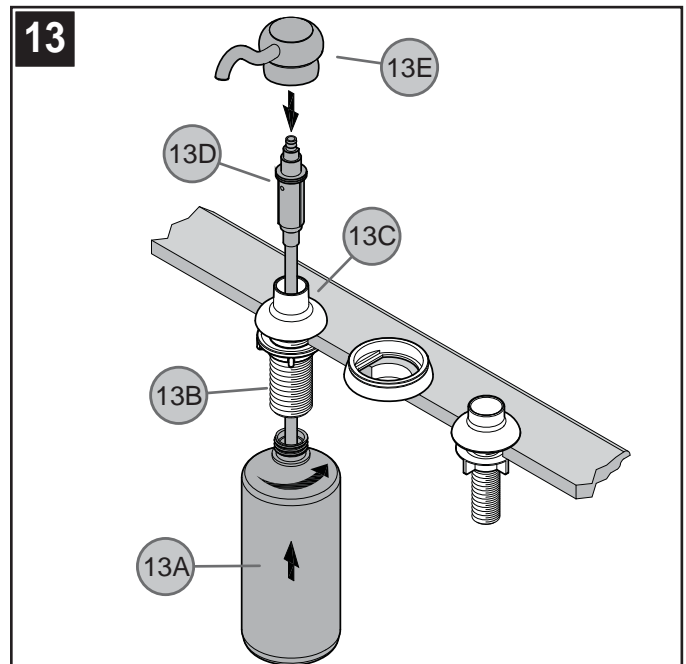
11 MOUNTING RING & GUIDE FLANGE & SOAP DISPENSER SHANK INSTALLATION

Insert Hose Guide (11A) through Hose Guide Flange (11B), insert Soap Dispenser Shank (11C) through Foam Gasket (11D) and place Mounting Ring (11E) over Plastic Gasket (11F) and into the sink holes. If desired, place a small bead of plumber's putty to the underside of Hose Guide Flange (11B). Ensure that Mounting Ring (11E) sits with Flats (11G) parallel with the outer sink holes.



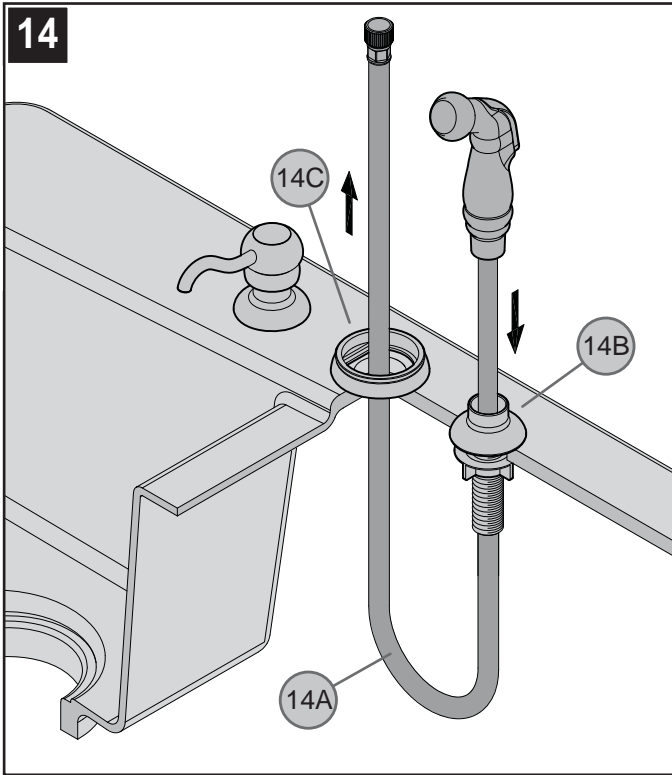
12 SECURING HOSE GUIDE & SOAP DISPENSER SHANK

From underneath sink, secure Hose Guide (12A) and Soap Dispenser Shank (12B) by screwing Plastic Locknuts (12C) and (12D). Hand tighten. **Caution: do not over-tighten.**



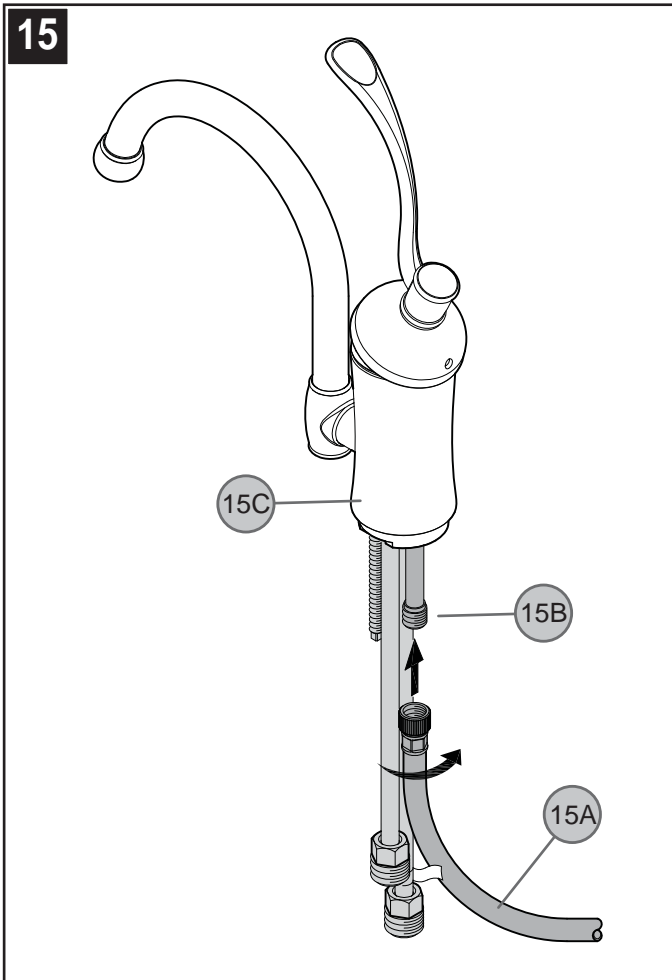
13 SOAP DISPENSER INSTALLATION

From underneath sink, thread on Bottle (13A) to Shank (13B). Pour in liquid soap (not included) into Shank Orifice (13C). Insert Pump Mechanism (13D) into soap dispenser body. Install Dispenser Head (13E) by pushing firmly onto dispenser mechanism.



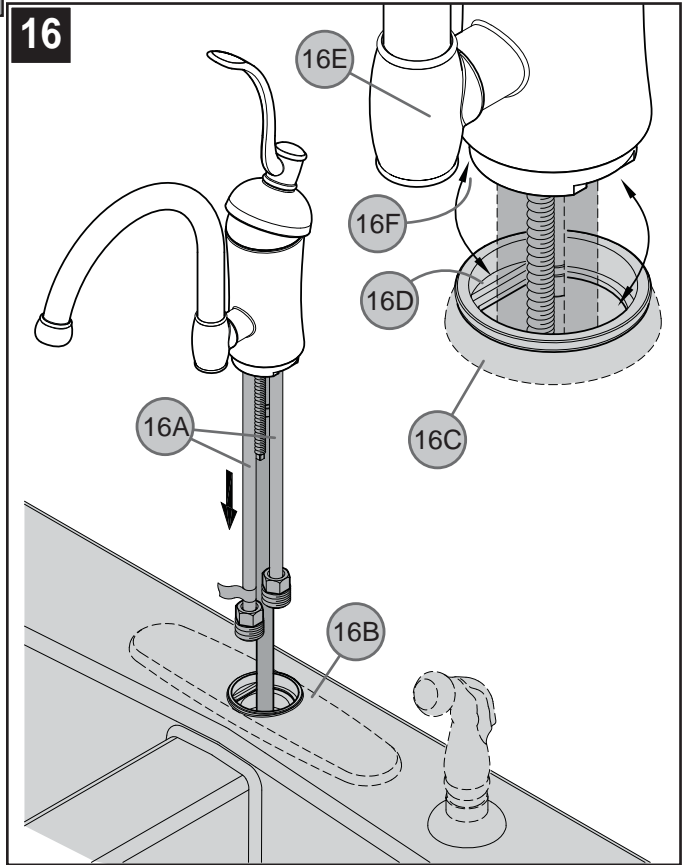
**14 SIDE SPRAY INSTALLATION**

Insert Side Spray Hose (14A) through Hose Guide (14B). From underneath sink, feed Side Spray Hose (14A) back up through the center hole of sink and through Mounting Ring (14C) so that it is above the sink.



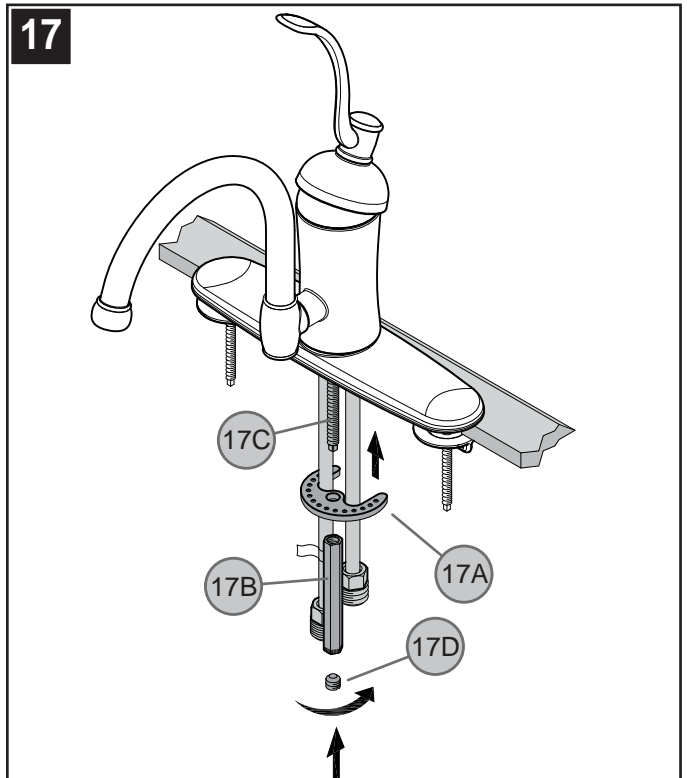
**15 HOSE ATTACHMENT**

Carefully tighten Side Spray Hose (15A) to Spray Supply Tube (15B) located on the back of Faucet Body (15C).



**16 FAUCET INSTALLATION**

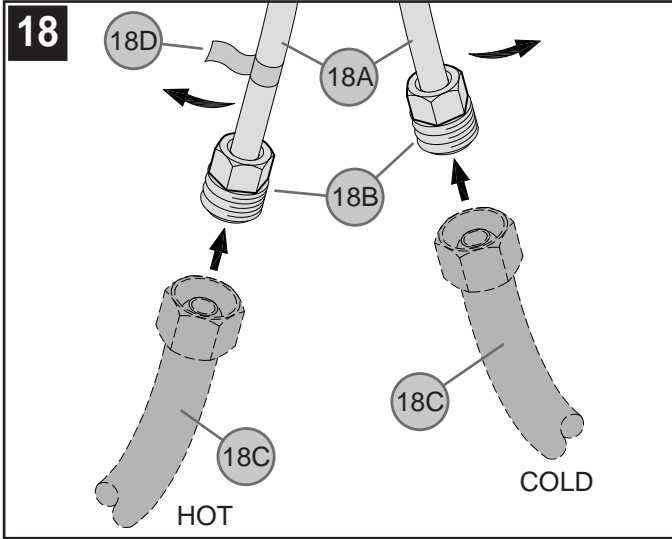
With the handle and spout facing forward, carefully install Faucet Supply Tubes (16A) through the center hole of Deckplate (16B) or Mounting Ring (16C). Make sure that Flats (16D) on Faucet Body (16E) align with Flats (16F) on the Deckplate (16B) or Mounting Ring (16C).



**17 MOUNTING HARDWARE INSTALLATION**

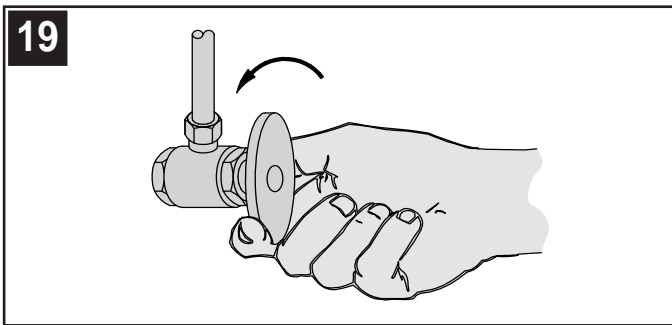
From underneath sink, secure the faucet by placing the Metal Washer (17A) and Long Nut (7/16 Hex.) (17B) onto Mounting Post (17C). Make sure that the bumps on Metal Washer (17A) are facing up. Tighten using a slotted screwdriver or an adjustable wrench until the faucet is firmly connected to the sink. Secure connection by screwing Setscrew (17D) onto Long Nut (17B). **Do not over tighten!**





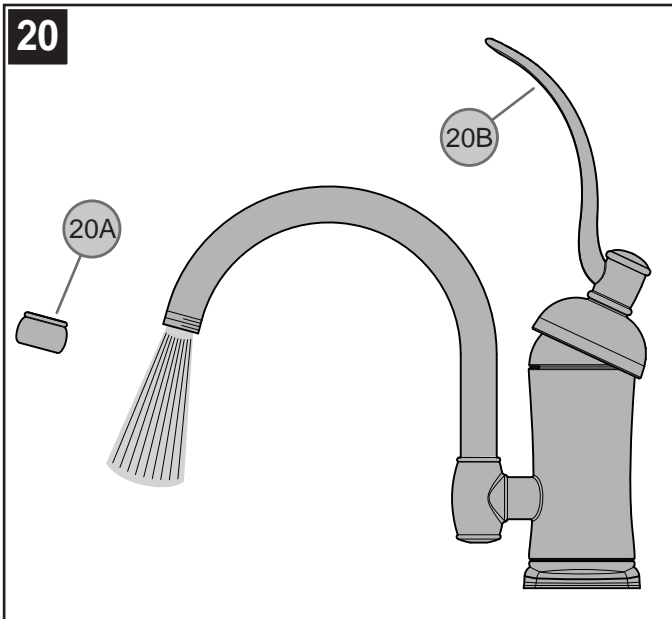
**18 WATER SUPPLY LINES**

Gently separate hot and cold supply tubes (18A), approximately three inches apart. Connect water Supply Lines (18C) to Faucet Inlets (18B). Hot water supply line goes to hot inlet fitting indicated by red tag (18D). (Supply lines not included). Follow manufacturer's instructions when installing supply lines.



**19 UNIT START UP**

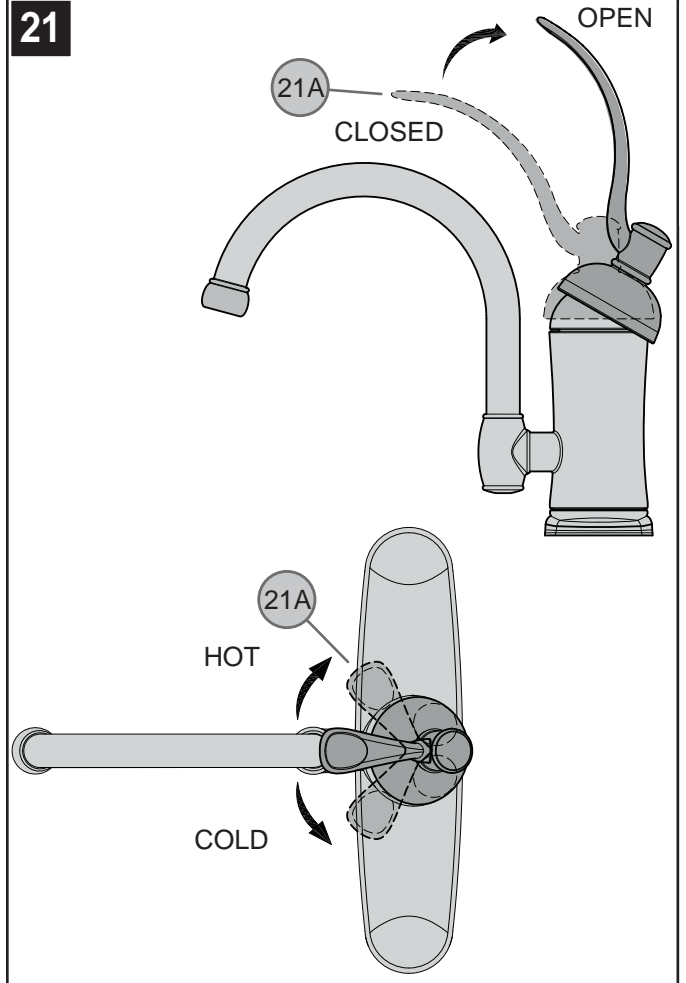
Turn on hot and cold water supplies, and check for leaks above and below the sink.



**20 FLUSHING**

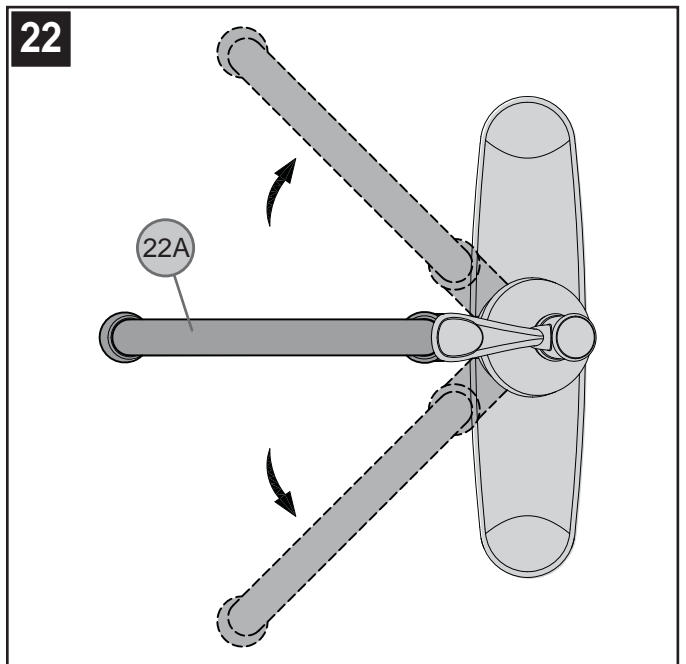
To prevent damage to the internal parts of your faucet from debris that may have collected in the water lines, it is important to flush your faucet. Remove Aerator (20A) and turn Handle (20B) to full "ON" position. Run water for one minute. Repeat in hot and cold positions. After flushing, turn off handle and replace Aerator (20A).

**FAUCET FUNCTIONS**



**21 VALVE FUNCTION**

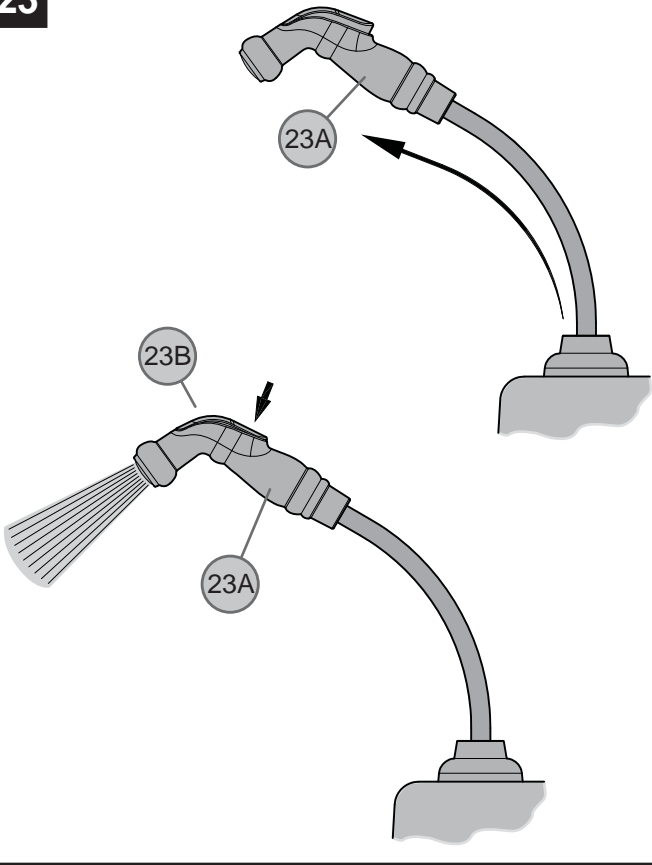
By lifting Lever Handle (21A) up, the valve will be activated allowing water to flow. The water flow will increase by continuing to lift up Lever Handle (21A). By rotating Lever Handle (21A) counterclockwise, the water temperature will decrease to fully cold. By rotating Lever Handle (21A) clockwise, the water temperature will increase to fully hot.



**22 SPOUT FUNCTION**

Spout (22A) can be rotated around the Faucet Body in any direction.

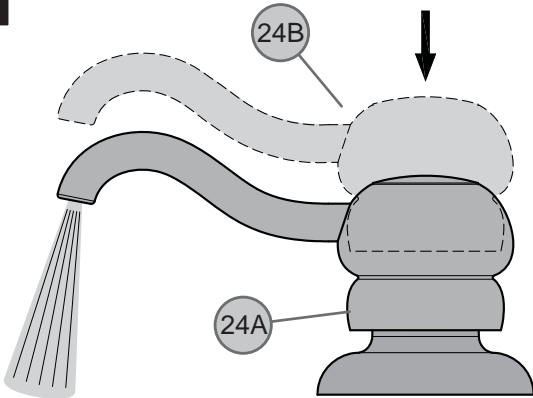
23



**23 SIDE SPRAY OPERATION**

Side Spray (23A) can be pulled forward to spray water in any direction. To activate the Side Spray (23A), press Toggle Button (23B) located on the back of Side Spray (23A).

24

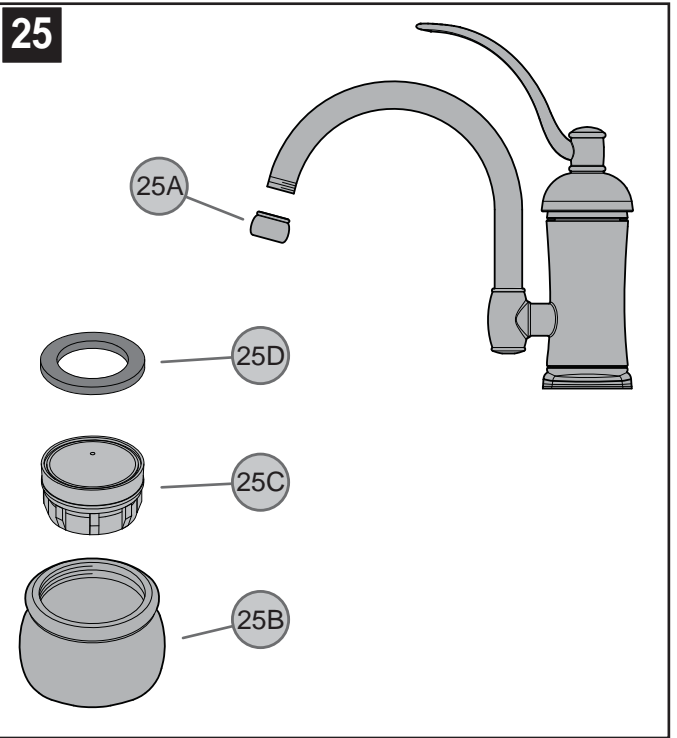


**24 SOAP DISPENSER OPERATION**

To activate Soap Dispenser (24A), press Dispenser Head (24B) to spray liquid soap.

MAINTENANCE & CARE

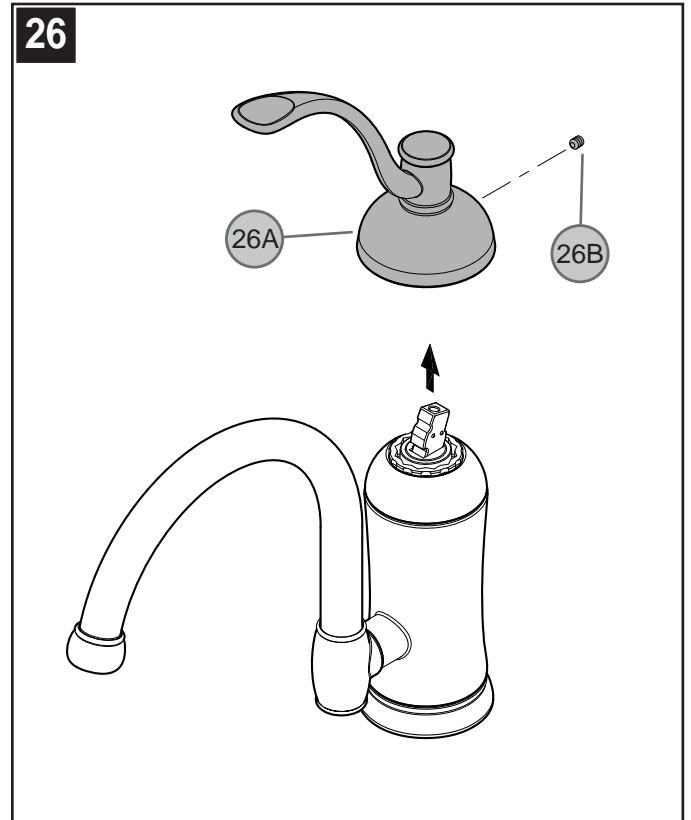
25



**25 CLEANING AERATOR**

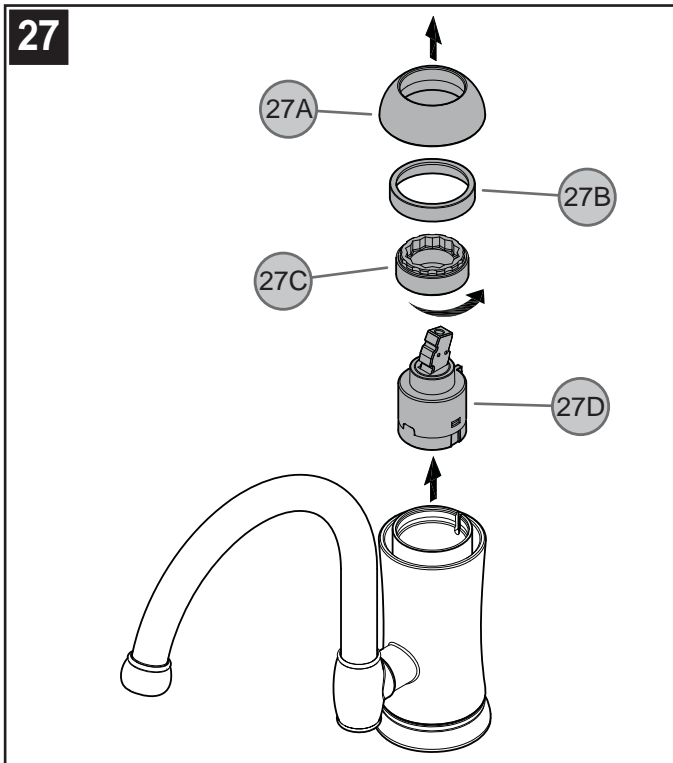
Over time, the aerator in your faucet may become clogged with debris. To clean the aerator, unscrew Aerator Body (25A) from faucet. Separate Aerator Housing (25B), Aerator Basket (25C), and Flat Seal (25D). Once parts have been cleaned, reassemble by reversing steps.

26



**26 HANDLE REMOVAL**

Using a  $\frac{3}{32}$ " Hex wrench, remove Set Screw (26B) and Handle Skirt (26A). Reassemble handle by reversing steps.



**27 CARTRIDGE REPLACEMENT**

Turn off water supplies and relieve pressure before working on your faucet (see step 2). Remove Handle (see step 26). Remove Dome Cap (27A) by unscrewing it in a counterclockwise direction and remove Spacer (27B). Using an adjustable wrench, unscrew Retainer Ring (27C). Carefully remove Cartridge (27D) by pulling it straight up and out. Inspect Cartridge (27D) for debris or damage. Clean or replace Cartridge (27D). Reassemble faucet by reversing steps

**⚠ CAUTION: Maintenance**

**DISASSEMBLY**

1. Replacement parts may be available at the store where you purchased your faucet.
2. When replacement parts are not available, please write or call Price Pfister Consumer Service.
3. Always turn off water and relieve pressure before working on your faucet.

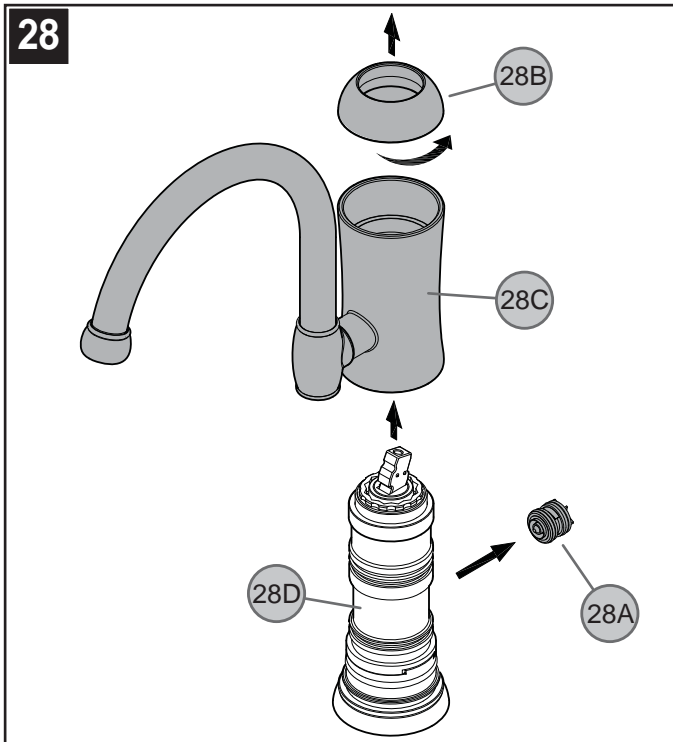
**⚠ NOTE: Trim Care**

**Cleaning Instructions:**

For all Handles and decorative finishes, use only a soft damp cloth to clean and shine. Use of polish, detergents, abrasive cleaners, organic solvents or acid may cause damage. **Use of other than a soft damp cloth will nullify our warranty!**

**Special Trim:**

Trim products which contain Porcelain or other similar substance are not acceptable for public areas or Commercial use. Installation of Said Trim is at Users Risk!



**28 DIVERTER MAINTENANCE**

If the side spray fails to work properly the diverter mechanism may be clogged with debris or may need replacing. To check and/or replace Diverter (28A), shut off water supply and relieve pressure before working on your faucet (see step 2). Remove handle (see step 26) and Dome Cap (28B) and carefully lift up Spout Assembly (28C). Diverter Mechanism (28A) is located on the backside of Inner Faucet Body (28D). Carefully remove by pulling Diverter Mechanism (28A) straight out and check for debris. Clean or replace Diverter Mechanism (28A). Reassemble faucet by reversing steps.



**1-800-PFAUCET (1-800-732-8238)**

For Toll-Free Pfaucet information call  
1-800-PFAUCET (1-800-732-8238)  
or visit [www.pricepfister.com](http://www.pricepfister.com)

- Installation Support
- Care and Warranty Information

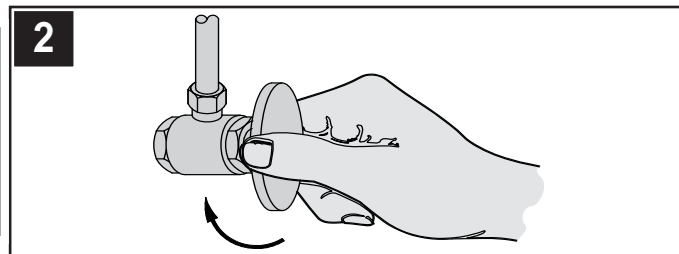
**Price Pfister**  
Pf freshest Ideas in Pfaucets.

Gracias por haber comprado este producto Price Pfister. Todos los productos Price Pfister están diseñados cuidadosamente y son sometidos a pruebas en la fábrica para ser utilizados sin problemas bajo condiciones normales. Esta válvula es fácil de instalar con herramientas básicas y nuestras instrucciones ilustradas fáciles de seguir. Si tiene alguna pregunta sobre este producto, llame al 1-800 Pfauet (1-800-732-8238).

**1 ANTES DE PROCEDER**

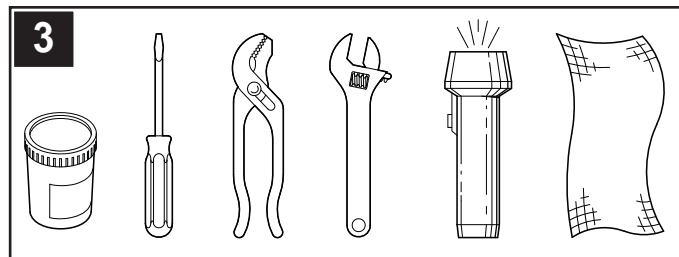
**ADVERTENCIA:** Antes de proceder, lea completamente todas las instrucciones. Price Pfister recomienda llamar a un profesional si no se está seguro acerca de cómo instalar este producto. Este producto debe instalarse de acuerdo a los códigos de plomería y de construcción locales y estatales.

ESPAÑOL



**2 CIERRE EL SUMINISTRO DE AGUA**

Ubique las entradas del suministro de agua y cierre las válvulas de suministro de agua. Generalmente se encuentran debajo del fregadero o cerca del medidor de agua. Si se trata de un reemplazo de grifo, quite el grifo viejo y limpie completamente la superficie del fregadero.




**3 HERRAMIENTAS RECOMENDADAS**

- Masilla para plomería
- Destornillador recto
- Tenazas
- Llave ajustable
- Linterna de mano
- Paño

Para hacer la instalación podría ser necesario contar con nuevas tuberías de suministro, válvulas de cierre o herramientas adicionales.

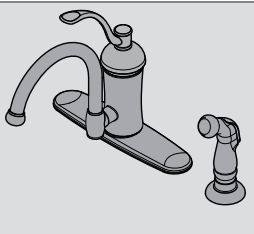
**4** Estas instrucciones cubren tres instalaciones distintas:



**Modelos 34-4H**  
Opción 1:  
Instalación En 2 Agujeros  
Con El Poste Único

➔

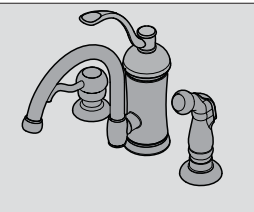
Continúe con el Paso 5



**Modelos 34-4H**  
Opción 2:  
Instalación En 4 Agujeros  
Con Placa De Cubierta

➔

Continúe con el Paso 8

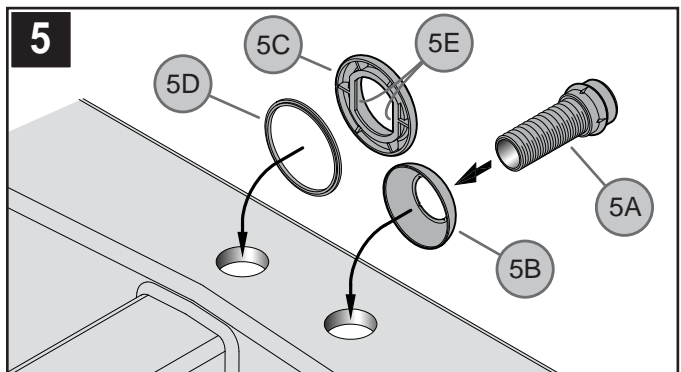


**Modelos 34-PH**  
Instalación En 3 Agujeros  
Con El Poste Único y Con  
Dispensador De Jabón

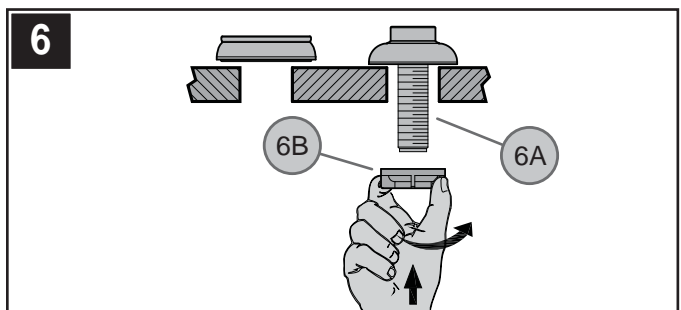
➔

Continúe con el Paso 11

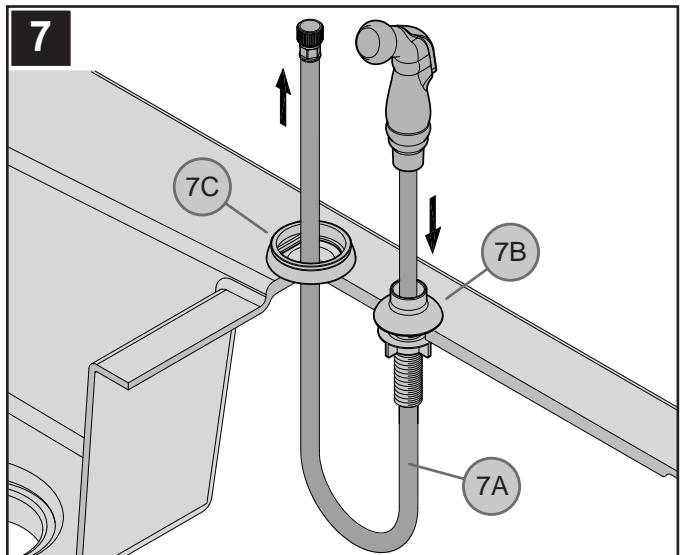
**INSTALACIÓN**  
**INSTALACIÓN EN 2 AGUJEROS CON EL POSTE ÚNICO**



**5 INSTALACIÓN DEL ANILLO DE MONTAJE Y LA BRIDA DE LA GUÍA**  
Inserte la guía de manguera (5A) en la brida de manguera (5B) y coloque el anillo de montaje (5C) sobre la empaquetadura de plástico (5D) y en los agujeros del fregadero. Si desea, aplique un cordón pequeño de masilla de plomería al lado inferior de la brida de la guía de manguera (5B). Asegúrese de que el anillo de montaje (5C) se asiente con las secciones planas (5E) paralelas a los agujeros externos del fregadero.



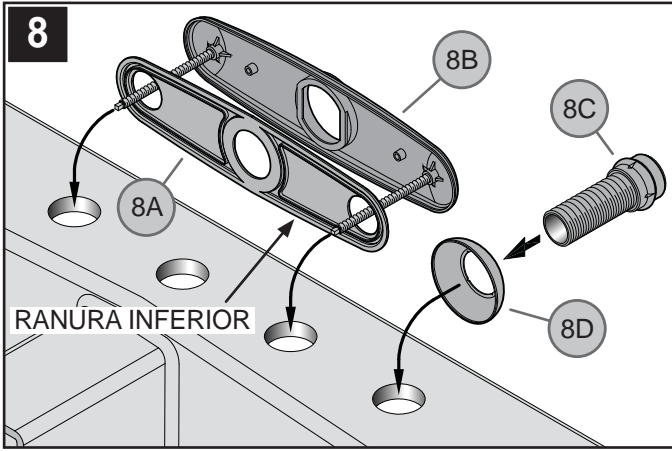
**6 SUJECIÓN DE LA GUÍA DE LA MANGUERA**  
Sujete la guía de la manguera (6A) atornillando la contratuerca de plástico (6B) desde abajo del fregadero. Apriete con la mano. ¡Precaución: No apriete en exceso!



**7 INSTALACIÓN DEL ROCIADOR LATERAL**  
Inserte la manguera del rociador lateral (7A) a través de la guía de la manguera (7B). Desde abajo del fregadero, pase la manguera del rociador lateral (7A) nuevamente hacia arriba a través del agujero central del fregadero y a través del anillo de montaje (7C) para que quede sobre el fregadero.

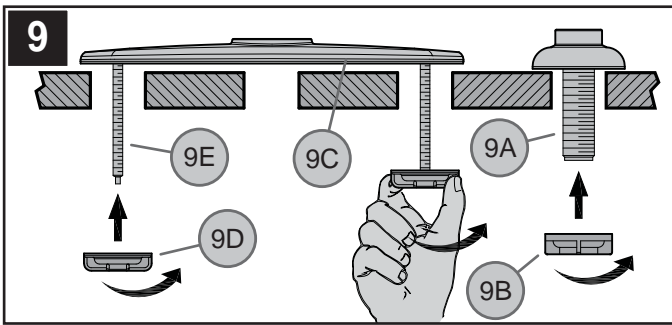
**ALTO** Continúe con el Paso 15





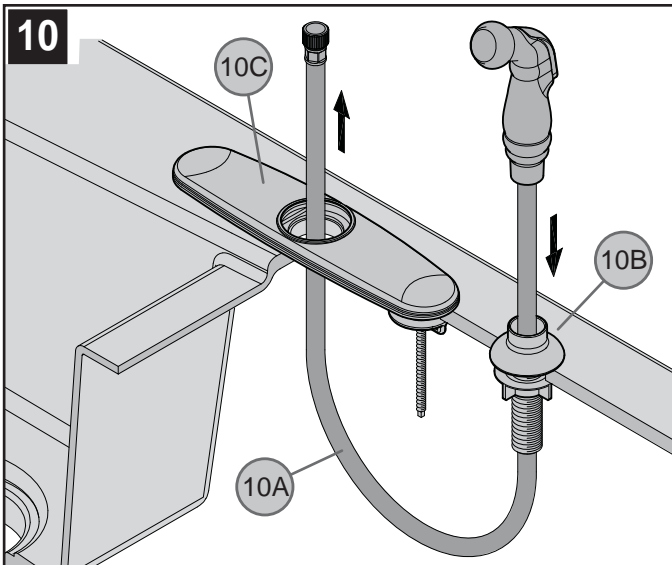
**8 INSTALACIÓN DE LA PLACA DE CUBIERTA**

Verifique que la placa de plástico para la masilla (8A) esté oprimida sobre la placa de cubierta (8B). Aplique un cordón de masilla de plomería en la ranura a lo largo del borde exterior de la placa para masilla (8A). Si lo desea, aplique un cordón pequeño de masilla de plomería al lado inferior de la brida de la guía de manguera (8D). Inserte la guía de manguera (8C) en la brida de la guía de manguera (8D) y en el agujero del fregadero. Instale la placa de cubierta (8B) sobre los agujeros en el fregadero.



**9 SUJECIÓN DE LA PLACA DE CUBIERTA Y LA GUÍA DE MANGUERA**

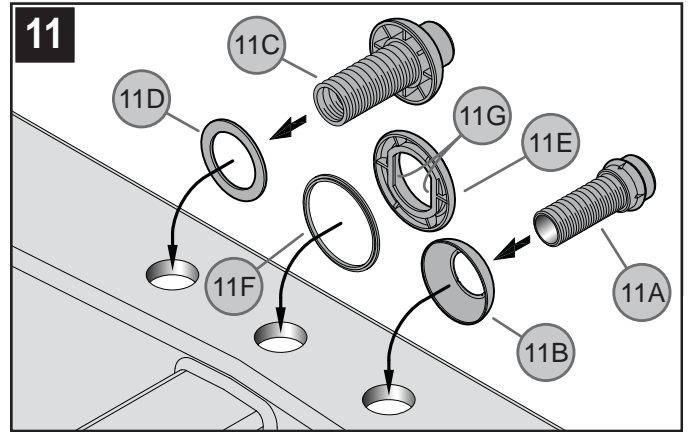
Desde abajo del fregadero, sujete la guía de manguera (9A) atornillando la contratuerca de plástico (9B). Sujete la placa de cubierta (9C) atornillando las tuercas de mariposa (9D) a los postes de montaje (9E). Apriete con la mano. ¡Precaución: No apriete en exceso! Quite el exceso de masilla de alrededor del borde exterior de la placa de cubierta (9C).



**10 INSTALACIÓN DEL ROCIADOR LATERAL**

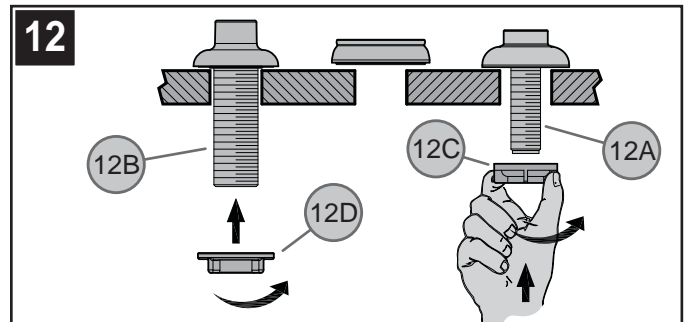
Inserte la manguera del rociador lateral (10A) a través de la guía de la manguera (10B). Desde abajo del fregadero, pase la manguera del rociador lateral (10A) nuevamente hacia arriba a través del agujero central del fregadero y a través de la placa de cubierta (10C) para que quede sobre el fregadero.

ALTO Continúe con el Paso 15



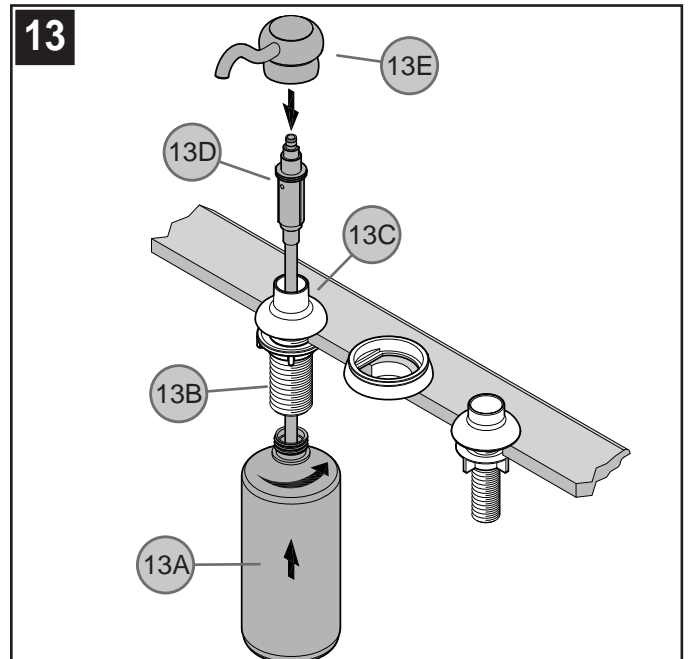
**11 INSTALACIÓN DEL ANILLO DE MONTAJE, LA BRIDA DE LA GUÍA Y LA ESPIGA DEL DISPENSADOR DE JABÓN**

Inserte la guía de manguera (11A) en la brida de la guía de manguera (11B), introduzca la espiga del dispensador de jabón (11C) en el empaque contra espuma (11D) y coloque el anillo de montaje (11E) sobre la empaquetadura de plástico (11F) sobre los agujeros del fregadero. Si desea, aplique un cordón pequeño de masilla de plomería al lado inferior de la brida de la guía de manguera (11B). Asegúrese que el anillo de montaje (11E) se asiente con las secciones planas paralelas (11G) a los agujeros externos del fregadero.



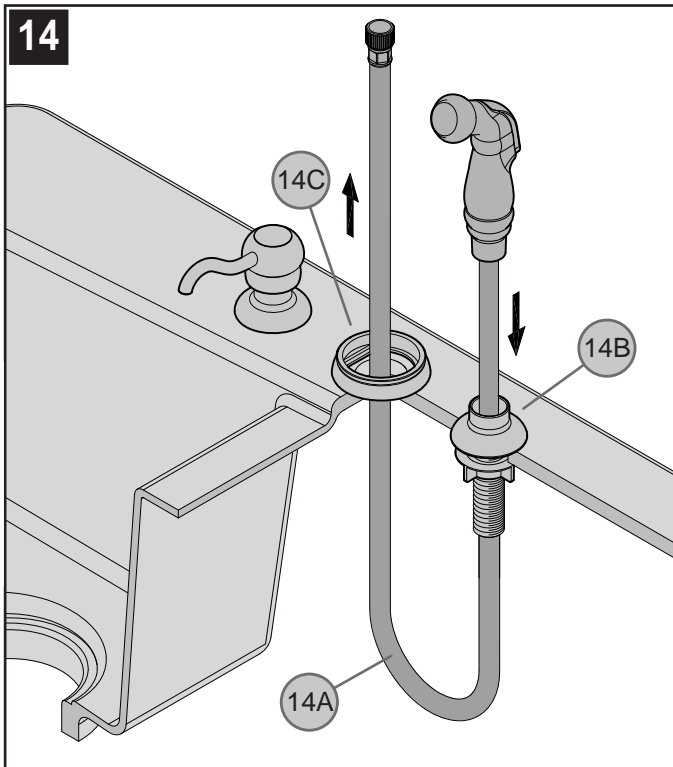
**12 SUJECIÓN DE LA GUÍA DE LA MANGUERA**

Desde abajo del fregadero, sujete la guía de la manguera (12A) y la espiga del dispensador de jabón (12B) atornillando las contratuerca de plástico (12C) y (12D). Apriete con la mano. ¡Precaución: No apriete en exceso!



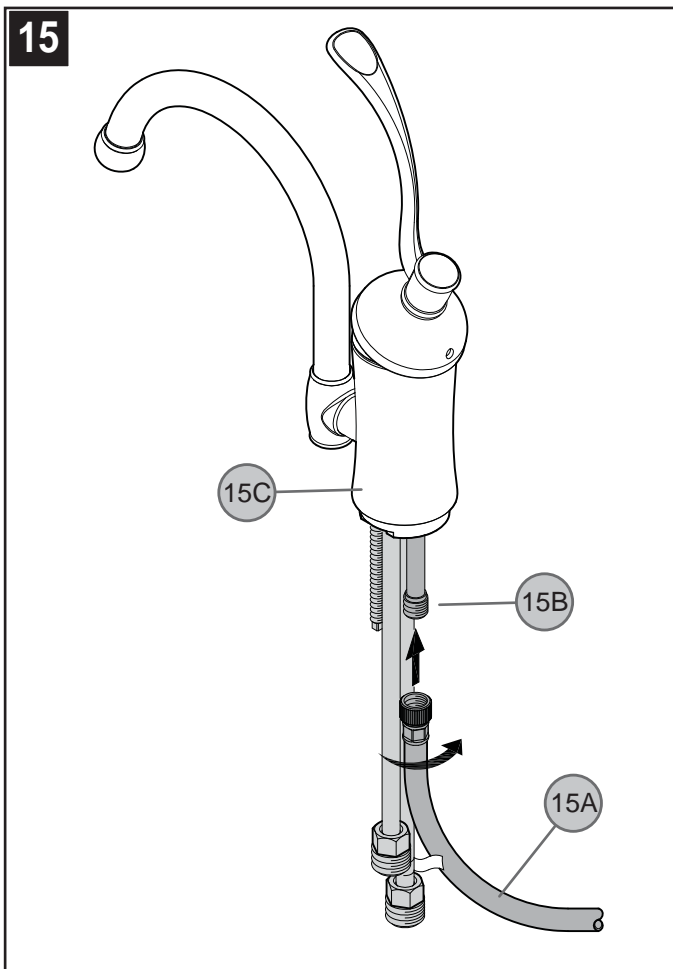
**13 CÓMO INSTALAR EL DISPENSADOR DE JABÓN**

Desde abajo del fregadero, enrosque la botella (13A) a la espiga (13B). Vierta jabón líquido (no incluido) en el orificio para la espiga (13C). Introduzca el mecanismo de la bomba (13D) en el cuerpo del dispensador de jabón. Coloque la cabeza del dispensador (13E) presionando firmemente el mecanismo del dispensador.



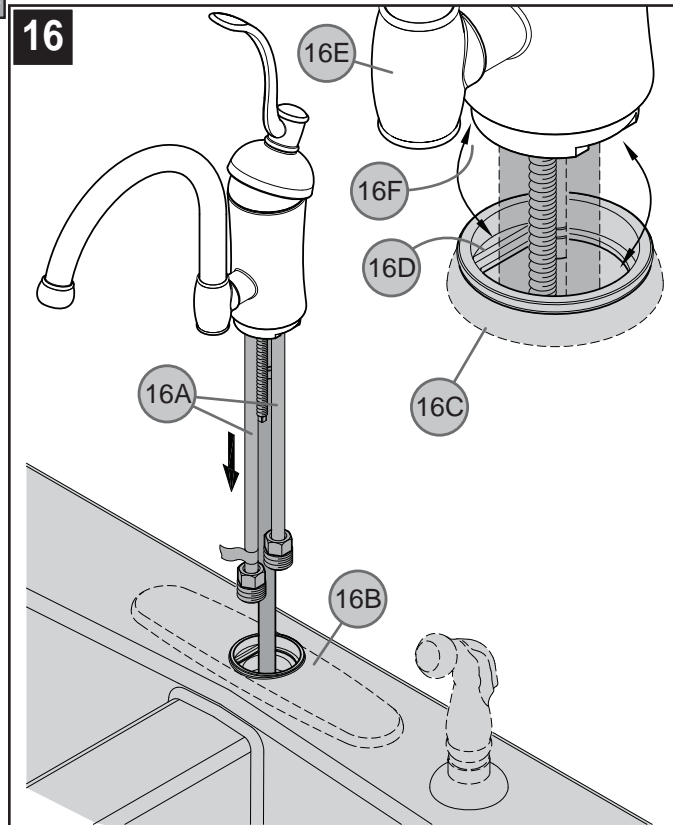
**14 INSTALACIÓN DEL ROCIADOR LATERAL**

Inserte la manguera del rociador lateral (14A) a través de la guía de la manguera (14B). Desde abajo del fregadero, pase la manguera del rociador lateral (14A) nuevamente hacia arriba a través del agujero central del fregadero y a través del anillo de montaje (14C) para que quede sobre el fregadero.



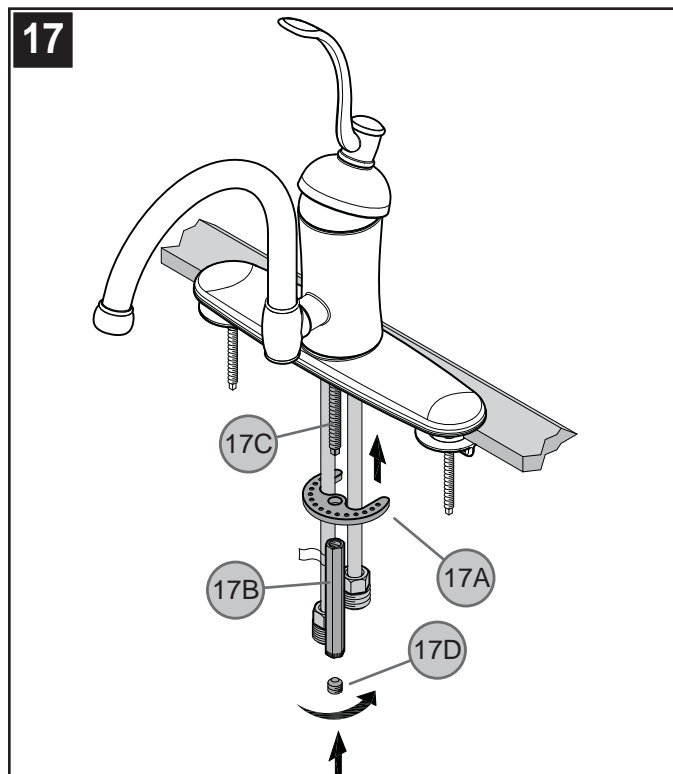
**15 CONEXIÓN DE LA MANGUERA**

Apriete cuidadosamente la manguera del rociador lateral (15A) al tubo de suministro del rociador (15B) situado en la parte posterior del cuerpo del grifo (15C).



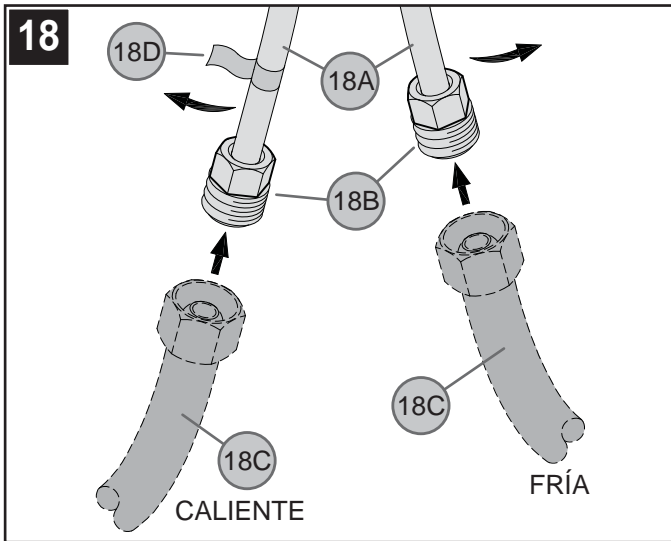
**16 INSTALACIÓN DEL GRIFO**

Con la manija y el surtidor apuntando hacia delante, instale cuidadosamente los tubos de suministro del grifo (16A) a través del agujero central de la placa de cubierta (16B) o el anillo de montaje (16C). Asegúrese de que las secciones planas (16D) del cuerpo del grifo (16E) se alineen con las secciones planas (16F) en la placa de cubierta (16B) o el anillo de montaje (16C).



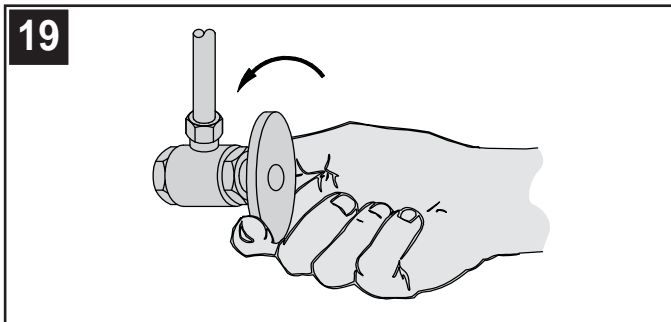
**17 INSTALACIÓN DE LA CERRAJERÍA DE MONTAJE**

Desde abajo del fregadero, sujete el grifo colocando la arandela de metal (17A) y la tuerca larga (7/16 Hex.) (17B) sobre el poste de montaje (17C). Asegúrese de que las protuberancias en la arandela de metal (17A) queden apuntando hacia arriba. Apriete con un destornillador de hoja plana o una llave ajustable hasta que el grifo esté firmemente conectado al fregadero. Sujete la conexión atornillando el tornillo de fijación (17D) en la tuerca larga (17B). ¡Precaución: No apriete en exceso!



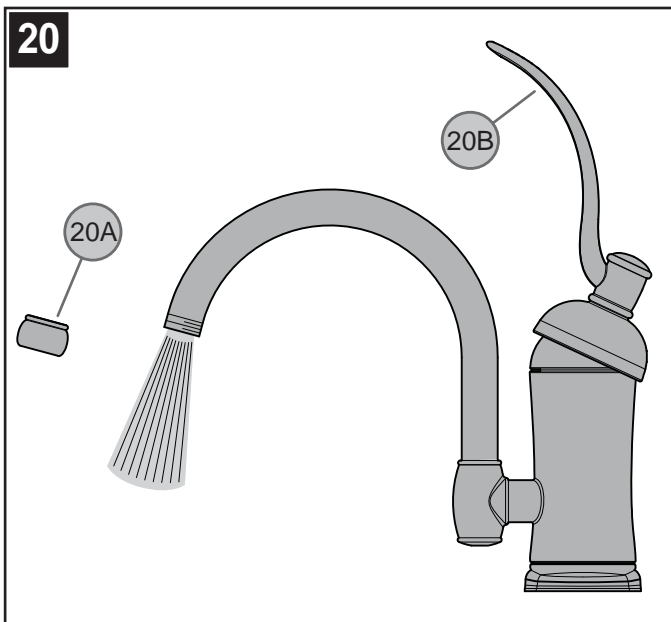
**18 CONEXIONES DE SUMINISTRO DE AGUA**

Separe suavemente los tubos de suministro de agua caliente y fría (18A) aproximadamente tres pulgadas. Conecte las tuberías de suministro de agua (18C) a las entradas del grifo (18B). Conecte la línea de suministro de agua caliente al conector de entrada de agua caliente (18D) indicado con la etiqueta roja. (Las tuberías de suministro no está incluidos). Siga las instrucciones del fabricante al instalar las líneas de fuente.



**19 CÓMO ENCENDER LA UNIDAD**

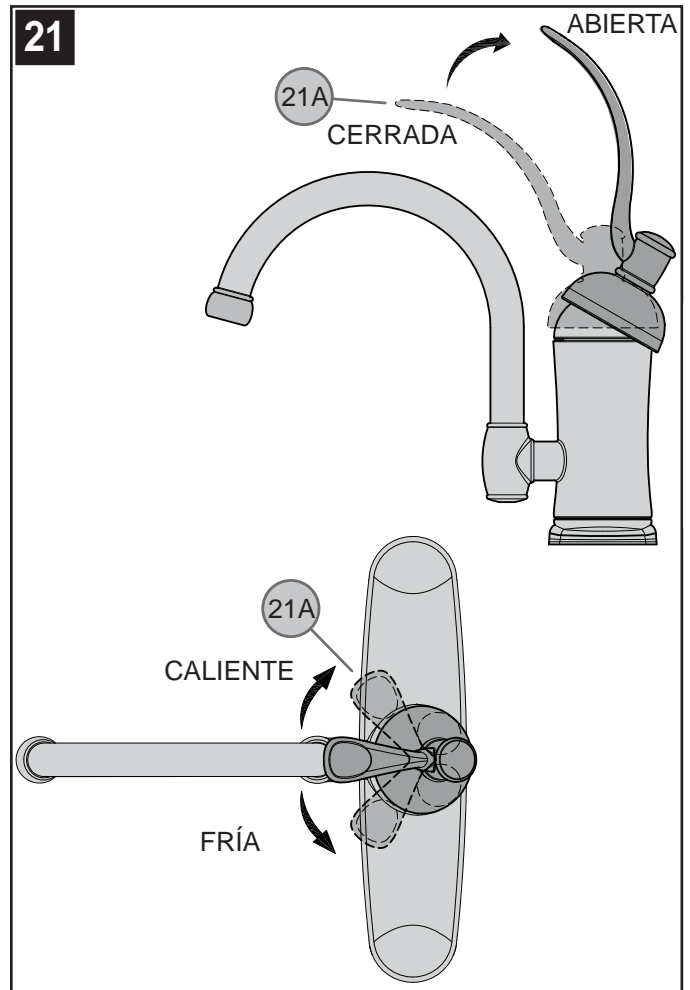
Active el suministro de agua fría y caliente y verifique que no hay fugas arriba y abajo del fregadero.



**20 ENJUAGUE**

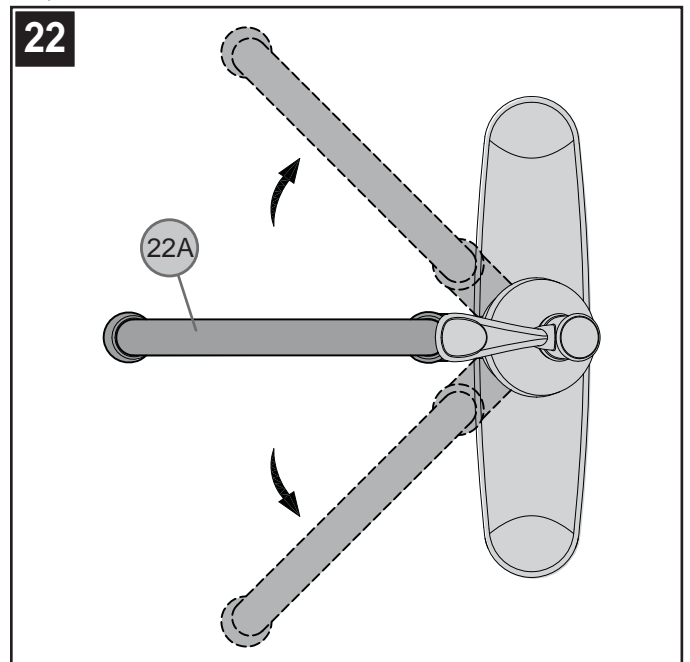
Para impedir los daños a los componentes internos del grifo debido a residuos acumulados en las líneas de agua, es importante purgar el grifo. Quite el aireador (20A) y gire la manija (20B) a la posición completamente "ABIERTA". Deje correr el agua durante un minuto. Repita en las posiciones caliente y fría. Después de purgar, cierre la manija e instale nuevamente el aireador (20A).

**FUNCIONES DEL GRIFO**



**21 FUNCIÓN DE LA VÁLVULA**

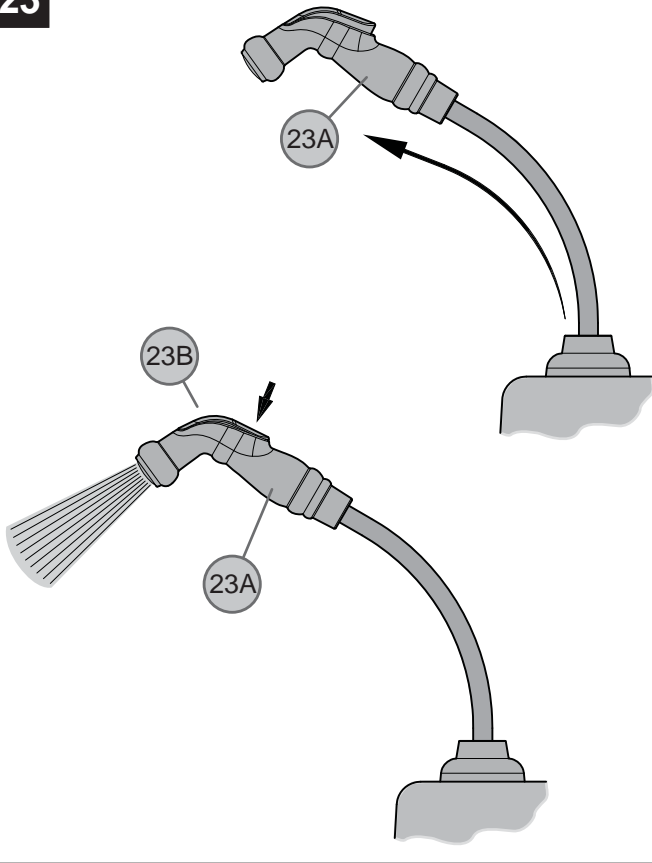
Al levantar la manija de palanca (21A), la válvula se activará y permitirá el flujo de agua. El flujo de agua aumentará al continuar levantando la manija de palanca (21A). Al girar la manija de palanca (21A) en sentido contrahorario, la temperatura del agua disminuirá hasta completamente fría. Al girar la manija de palanca (21A) en sentido horario, la temperatura del agua aumentará hasta completamente caliente.



**22 FUNCIÓN DEL SURTIDOR**

El surtidor (22A) puede girarse alrededor del cuerpo del grifo en cualquier dirección.

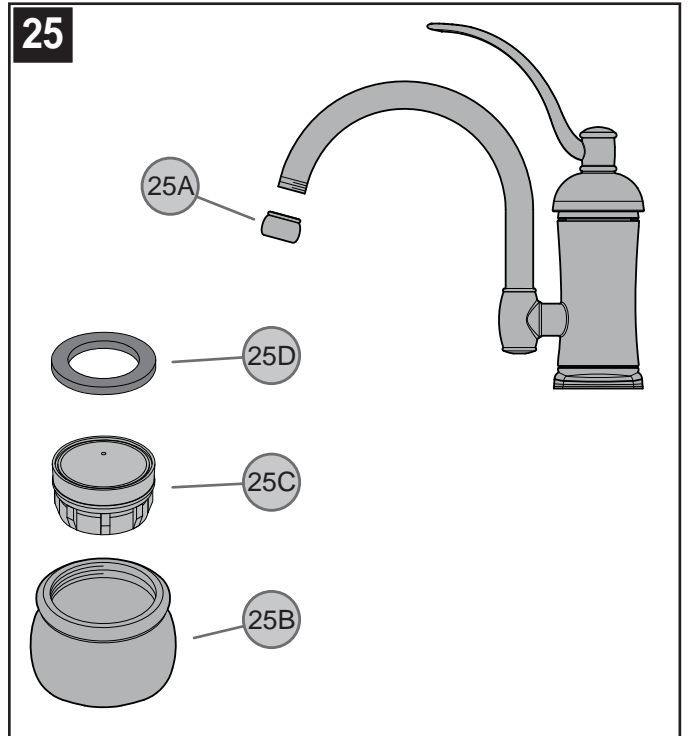
23



**23 FUNCIONAMIENTO DEL ROCIADOR LATERAL**

El rociador lateral (23A) puede tirarse hacia adelante para rociar agua en cualquier dirección. Para activar el rociador lateral, oprima el botón basculante (23B) situado en la parte posterior del rociador lateral (23A).

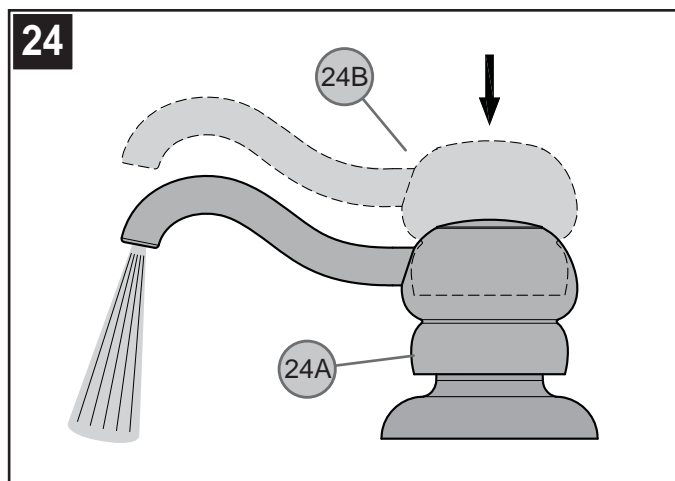
25



**25 LIMPIEZA DEL AIREADOR**

Con el tiempo, el aireador en el grifo podría taparse con residuos. Para limpiar el aireador, destornilla la caja del mismo (25A) del surtidor (25B). Separe la caja del aireador (25E), el cesto del aireador (25D) y el sello plano (25C). Una vez que haya limpiado las partes, reensámblelas siguiendo estos pasos en orden inverso.

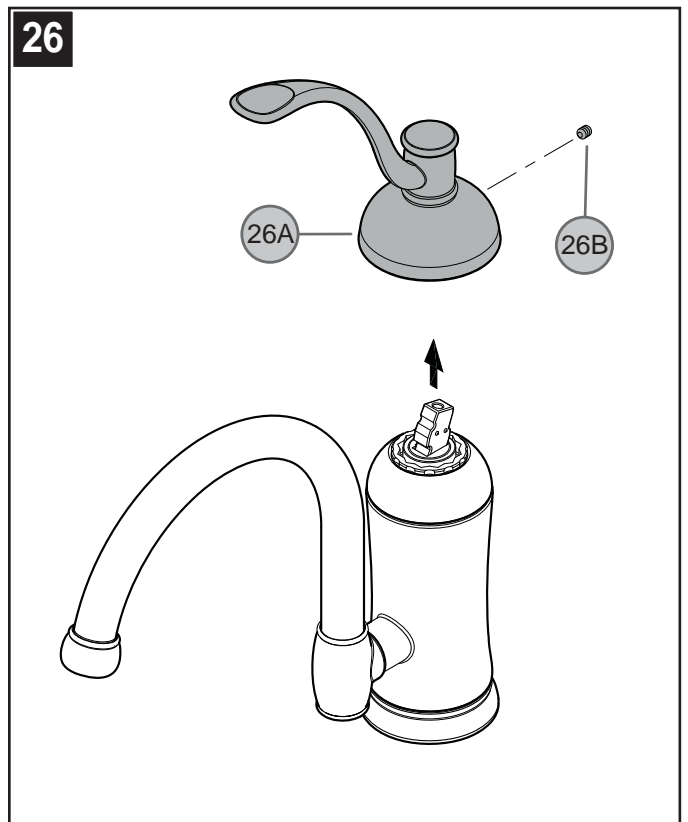
24



**24 FUNCIONAMIENTO DEL DISPENSADOR DE JABÓN**

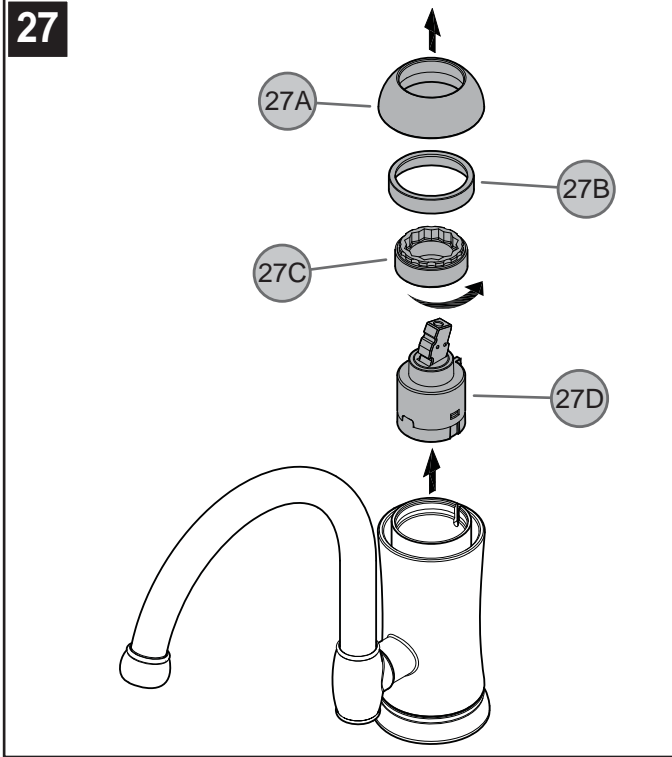
Para activar el dispensador de jabón (24A), presione la cabeza del dispensador (24B) para rociar un poco de jabón líquido.

26



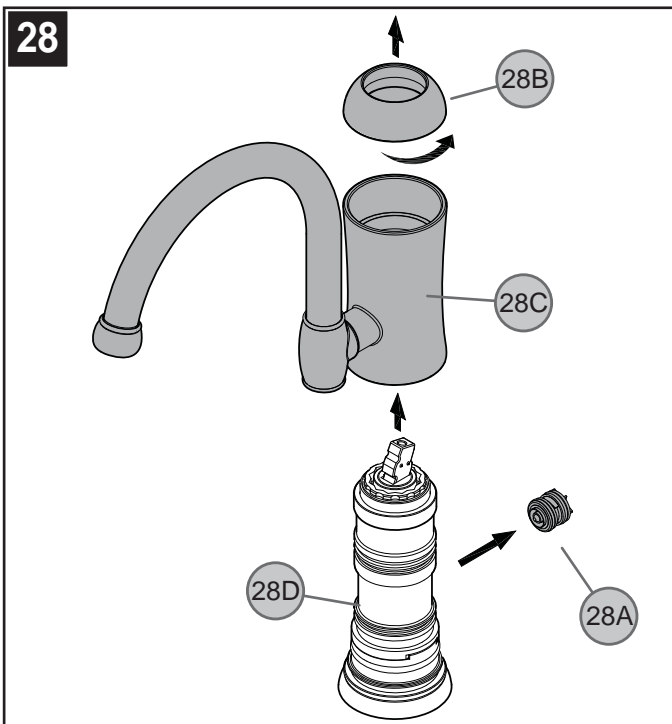
**26 RETIRO DE LA MANIJA**

Con una llave inglesa de  $\frac{3}{32}$  pulg., quite el tornillo de fijación (26B) y retire la manija (26A).



**27 REEMPLAZO DEL CARTUCHO**

Cierre los suministros de agua y alivie la presión antes de trabajar en el grifo (consulte el paso 2). Retire la manija (consulte el paso 26). Quite la tapa en forma de cúpula (27A) destornillándola en sentido contrahorario y retire el espaciador (27B). Destornille el anillo de retención (27C) con una llave ajustable. Quite el cartucho (27D) con cuidado halándolo en forma recta hacia arriba y hacia afuera. Inspeccione el cartucho (27D) para asegurar que no contenga residuos o esté dañado. Limpie o reemplace el cartucho (27D). Reensamble el grifo siguiendo los pasos en orden inverso.



**28 MANTENIMIENTO DEL DEFLECTOR**

Si el rociador lateral no funciona correctamente, el mecanismo del deflector puede estar tapado con residuos o puede necesitar reemplazo. Para revisar y/o reemplazar el deflector (28A), cierre el suministro de agua y alivie la presión antes de trabajar en el grifo (consulte el paso 2). Retire la manija (consulte el paso 26) y la tapa en forma de cúpula (28B) y levante cuidadosamente el conjunto del surtidor (28C). El mecanismo del deflector (28A) está situado en la sección posterior del cuerpo interior del grifo (28D). Retire cuidadosamente el mecanismo del deflector (28A) y revise para ver si hay residuos. Limpie o reemplace el mecanismo del cartucho (28A). Reensamble el grifo siguiendo los pasos en orden inverso.



**PRECAUCIÓN: Mantenimiento CÓMO DESARMAR:**

1. El almacén donde compró su grifo podría tener repuestos disponibles.
2. Cuando no hay repuestos disponibles, sírvase escribir o llamar al departamento de servicio al consumidor de Price Pfister.
3. Siempre antes de efectuar algún trabajo en su grifo, cierre el agua y elimine la presión.



**NOTA: Cuidado del Acabado**

**Instrucciones para limpieza:**

Para limpiar y hacer brillar las manijas y el acabado decorativo use solamente un paño suave y húmedo. El uso de pulidores, detergentes, limpiadores abrasivos, solventes orgánicos o ácidos puede provocar daños. ¡El uso de algo más que un paño suave y húmedo invalida nuestra garantía!

**Acabados especiales:**

Los productos con acabados que contienen porcelana u otras sustancias similares no son aceptables para áreas públicas ni para usos comerciales. ¡Su instalación bajo tales circunstancias es bajo el riesgo del usuario!



**1-800-PFAUCET (1-800-732-8238)**

Para obtener información mediante llamadas gratis, llame al 1-800-PFAUCET (1-800-732-8238) o visite [www.pricepfister.com](http://www.pricepfister.com)

- Apoyo a instaladores
- Información sobre cuidado y garantías

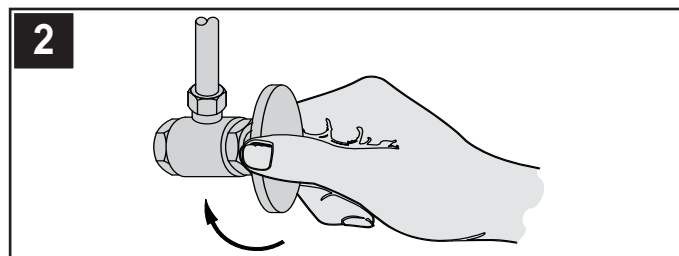
**Price Pfister**  
Pf freshest Ideas in Pfaucets.



Merci d'avoir acheté ce produit Price Pfister. Tous les produits Price Pfister sont fabriqués avec soin et contrôlés à l'usine pour offrir une longue durée de service sans problème dans des conditions d'utilisation normales. Il est facile de poser ce mitigeur à l'aide d'un outillage de base et de nos illustrations très claires. Pour toute question concernant ce produit, appeler le 1-800-Pfaucet (1-800-732-8238).

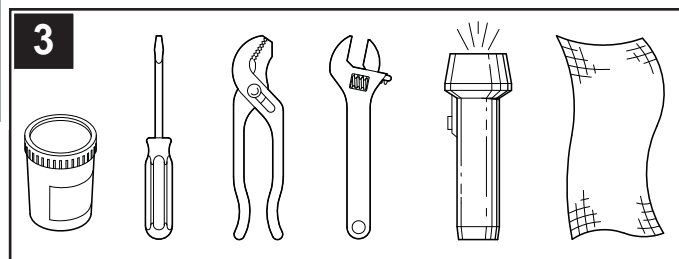
### 1 AVANT DE PROCÉDER À LA POSE

**AVERTISSEMENT** : lire attentivement toutes les instructions avant de procéder à la pose. Price Pfister recommande de faire appel à un professionnel en cas d'incertitude quant à l'installation de ce produit !  
Ce produit doit être installé conformément à l'ensemble de la réglementation locale et provinciale applicable à la plomberie et à la construction.



### 2 COUPURE DE L'ARRIVÉE D'EAU

Repérer les arrivées d'eau et fermer leurs robinets. Ces robinets se trouvent généralement sous le lavabo ou à côté du compteur d'eau. En cas de remplacement d'un robinet existant, le déposer du lavabo et nettoyer soigneusement la surface de ce dernier.




### 3 OUTILLAGE RECOMMANDÉ

- Mastic de plombier
- Tournevis plat
- Pince
- Clé à molette
- Lampe de poche
- Chiffon

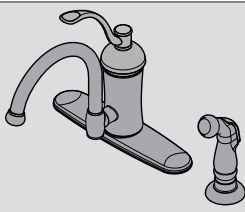
L'installation peut exiger des tuyaux d'arrivée et/ou des vannes d'arrêt neufs ou d'autres outils.

**4 Ces instructions s'appliquent à quatre installations différentes :**



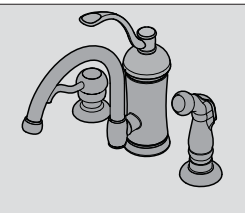
**Modèles 34-4H**  
Option 1 :  
Installation 2 Trous Avec le Poste Unique

Passer à l'étape 5



**Modèles 34-4H**  
Option 2 :  
Installation 4 Trous Avec Applique

Passer à l'étape 8

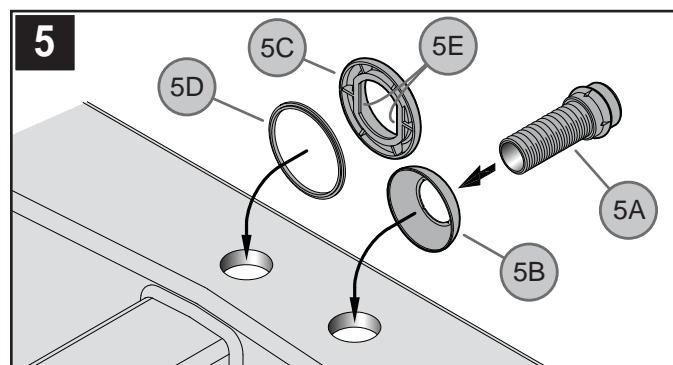


**Modèles 34-PH**  
Installation 3 Trous Avec le Poste Unique et Avec Distributeur de Savon

Passer à l'étape 11

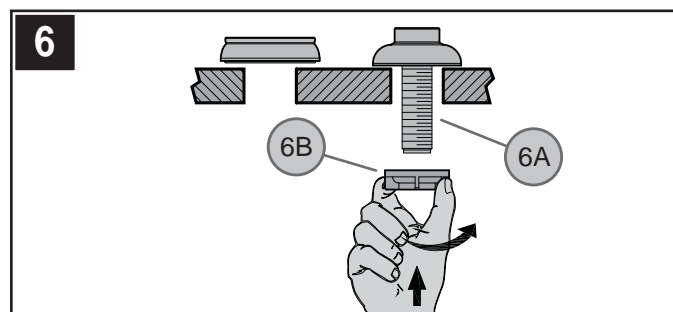
## INSTALLATION

### INSTALLATION 2 TROUS AVEC LE POSTE UNIQUE



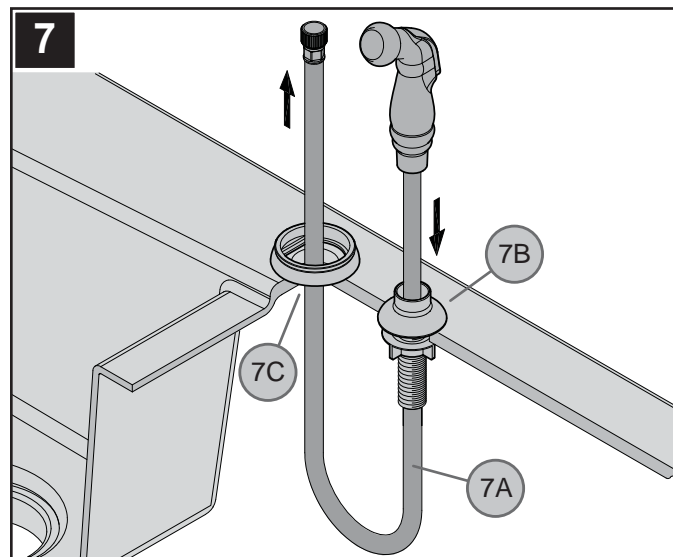
#### 5 POSE DE L'ANNEAU DE MONTAGE ET DE LA BRIDE DE GUIDE

Insérer le guide de flexible (5A) dans sa bride (5B) et dans le trou de l'évier. Placer l'anneau de montage (5C) par-dessus le joint en plastique (5D) et le trou de l'évier. Si on le désire, appliquer un petit cordon de mastic de plombier sur le dessous de la bride de guide de flexible (5B). Assurez-vous que l'anneau d'assemblage (5C) est affirmé avec les sections plates (5E) parallèles aux trous externes de l'évier.



#### 6 FIXATION DU GUIDE DE FLEXIBLE

Depuis le dessous de l'évier, fixer le guide de flexible (6A) en vissant l'écrou de blocage en plastique (6B). Le serrer avec les doigts. Attention : ne pas trop les serrer.

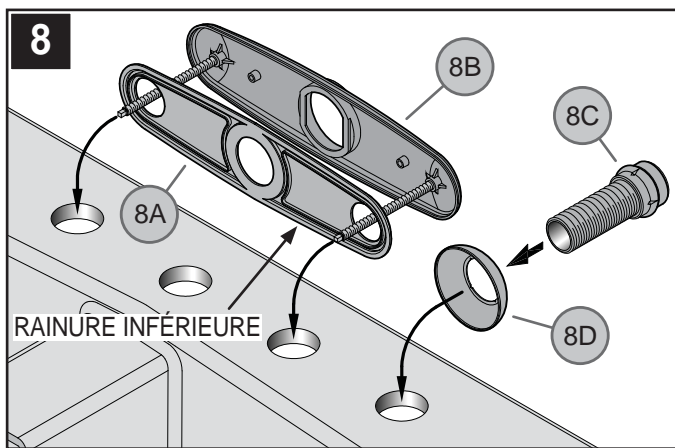


#### 7 POSE DE LA DOUCHETTE LATÉRALE

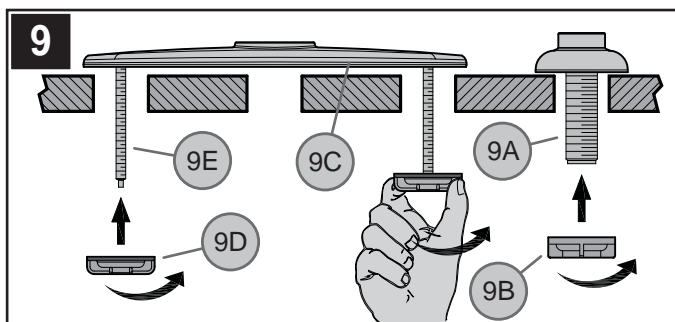
Insérer le flexible de douche (7A) dans son guide (7B). Depuis le dessous de l'évier, enfilez le flexible (7A) pour le faire remonter par le trou central de l'évier et au travers de l'anneau de montage (7C) de façon à ce qu'il dépasse du dessus de l'évier.



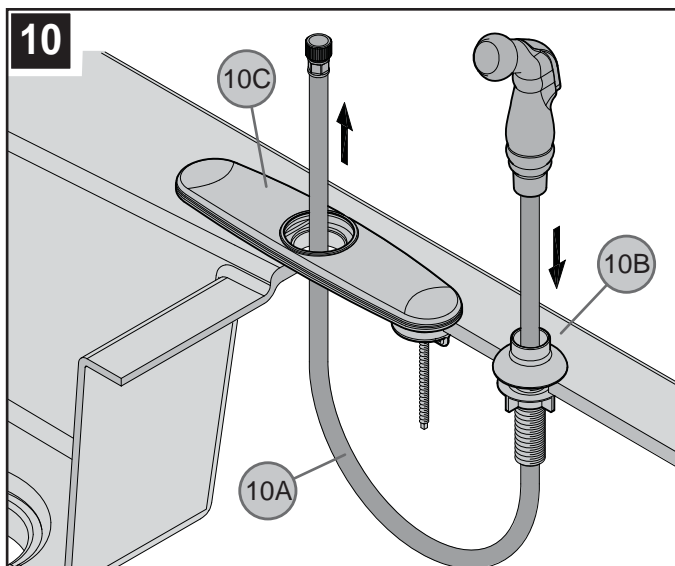
## INSTALLATION 4 TROUS AVEC APPLIQUE

**8 POSE DE L'APPLIQUE**

S'assurer que la plaque de masticage en plastique (8A) est appuyée sur l'applique (8B). Appliquer un cordon de mastic de plombier dans la rainure qui longe le bord extérieur de la plaque de masticage (8A). Si on le désire, appliquer un petit cordon de mastic de plombier sur le dessous de la bride de guide de flexible (8D). Insérer le guide de flexible (8C) dans sa bride (8D) et dans le trou de l'évier. Mettre l'applique (8B) en place et aligner la bride de guide sur les trous de l'évier.

**9 FIXATION DE L'APPLIQUE ET DU GUIDE DE FLEXIBLE**

Depuis le dessous de l'évier, fixer le guide de flexible (9A) en vissant l'écrou de blocage en plastique (9B). Fixer l'applique (9C) en vissant les écrous à oreilles (9D) sur les tiges filetées de montage (9E). Les serrer avec les doigts. Attention : ne pas trop les serrer. Enlever tout excédent de mastic du pourtour du bord extérieur de l'applique (9C).

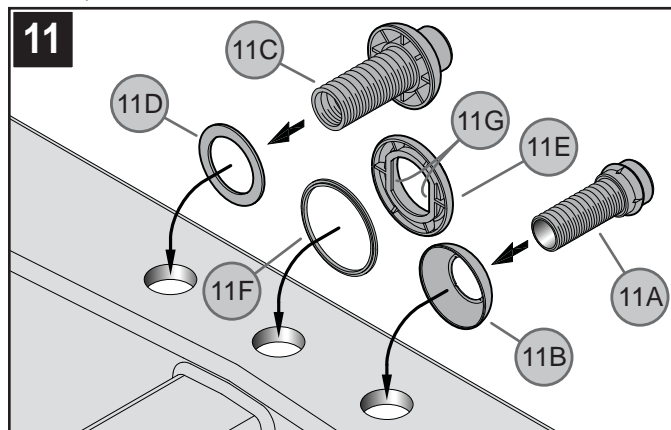
**10 POSE DE LA DOUCHETTE LATÉRALE**

Insérer le flexible de douche (10A) dans son guide (10B). Depuis le dessous de l'évier, enfilez le flexible (10A) pour le faire remonter par le trou central de l'évier et au travers de l'applique (10C) de façon à ce qu'il dépasse du dessus de l'évier.

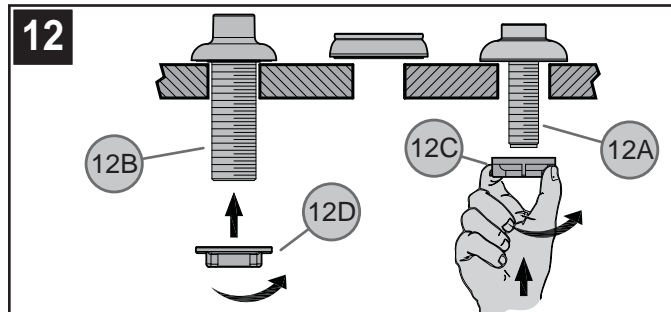
STOP

Passer à l'étape 15

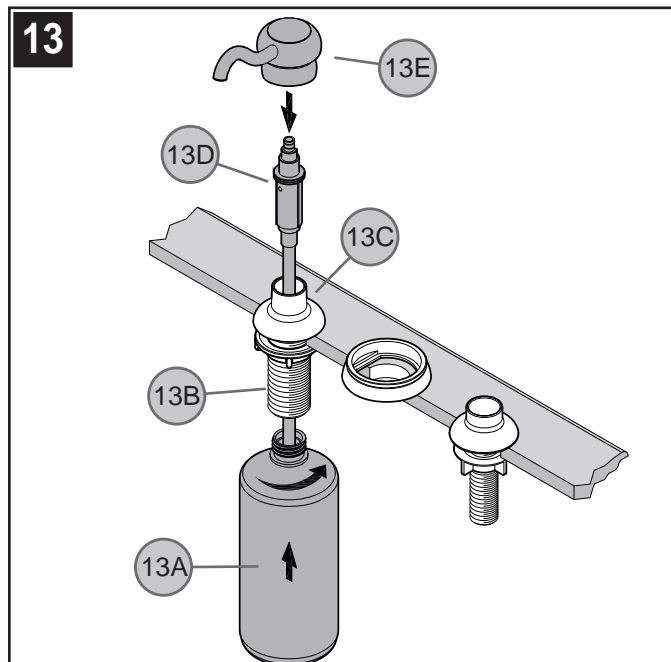
## INSTALLATION 3 TROUS AVEC LE POSTE UNIQUE ET AVEC DISTRIBUTEUR DE SAVON

**11 POSE DE L'ANNEAU DE MONTAGE, DE LA BRIDE DE GUIDE ET LE TIGE DU DISTRIBUTEUR DE SAVON**

Insérer le guide de flexible (11A) dans sa bride (11B). Introduire la tige filetée (11C) du distributeur de savon dans le joint en mousse (11D) et placer l'anneau de montage (11E) par-dessus le joint en plastique (11F) et le trou de l'évier. Si on le désire, appliquer un petit cordon de mastic de plombier sur le dessous de la bride de guide de flexible (11B). Assurez dont l'anneau d'assemblage (11E) est affirmé avec les sections plates (11G) parallèles aux trous externes de l'évier.

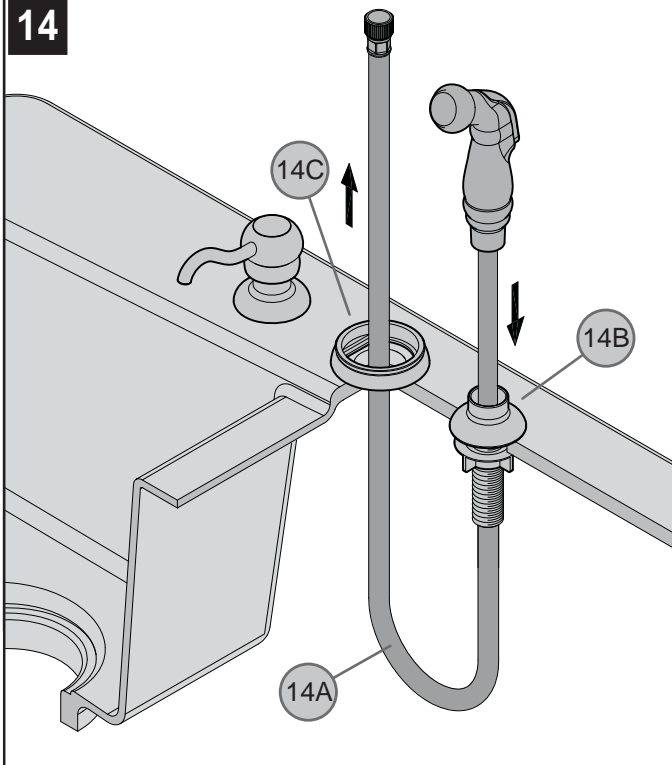
**12 FIXATION DU GUIDE DE FLEXIBLE**

Depuis le dessous de l'évier, fixer le guide de flexible (12A) et la tige du distributeur de savon (12B) en vissant l'écrou de blocage en plastique (12C) et (12D). Le serrer avec les doigts. Attention : ne pas trop les serrer.

**13 POSE DU DISTRIBUTEUR DE SAVON**

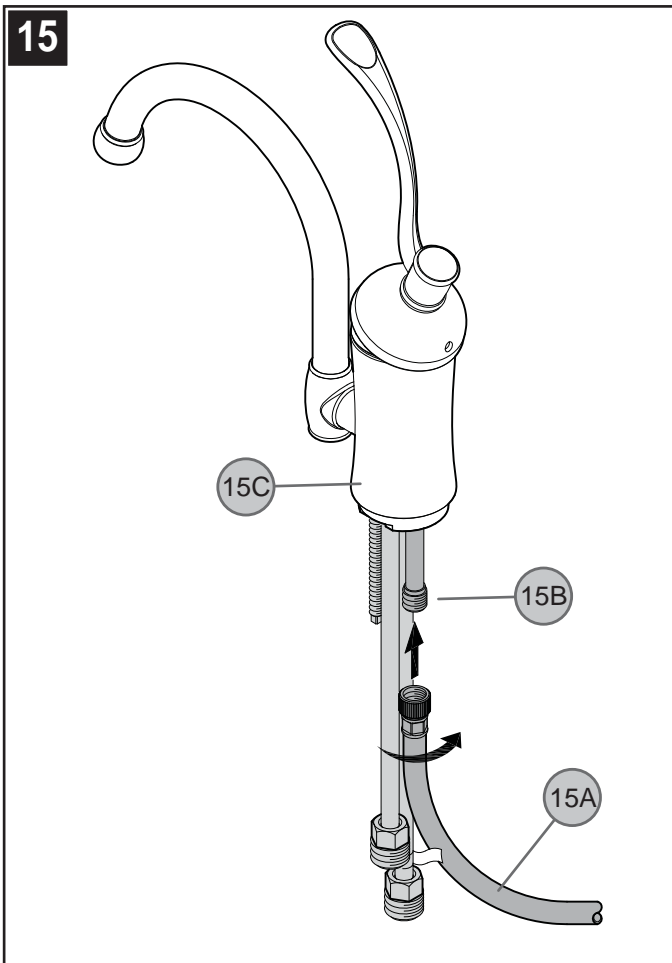
Depuis le dessous de l'évier, le visser sur le réservoir (13A) à la tige (13B). Verser du savon liquide (non fourni) dans l'orifice de la tige (13C). Enfoncer le mécanisme de pompage (13D) dans le corps du distributeur. Mettre la tête (13E) de celui-ci en place en l'enfonçant sur le mécanisme de distribution.

14

**14 POSE DE LA DOUCHETTE LATÉRALE**

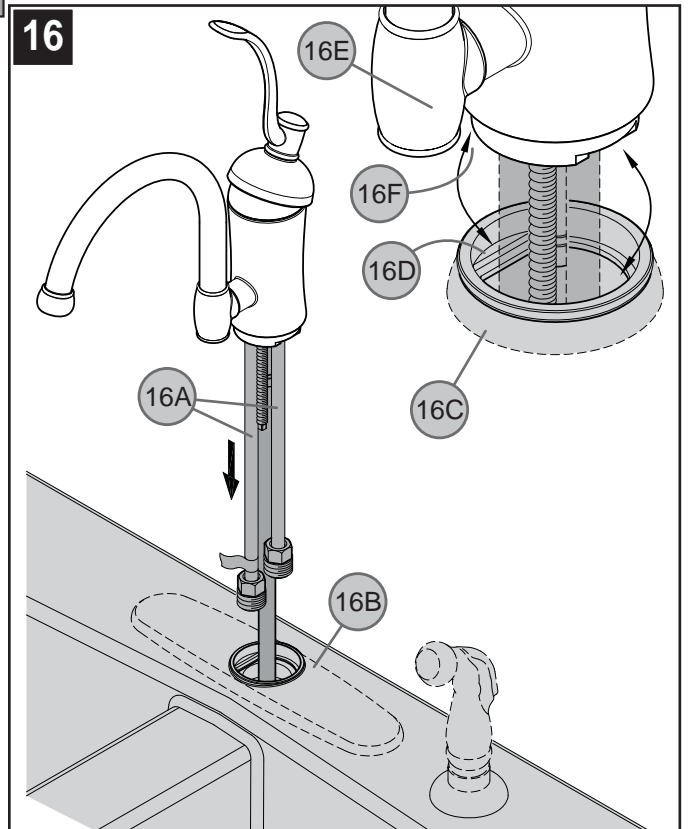
Insérer le flexible de douche (14A) dans son guide (14B). Depuis le dessous de l'évier, enfile le flexible (14A) pour le faire remonter par le trou central de l'évier et au travers de l'anneau de montage (14C) de façon à ce qu'il dépasse du dessus de l'évier.

15

**15 RACCORDEMENT DU FLEXIBLE**

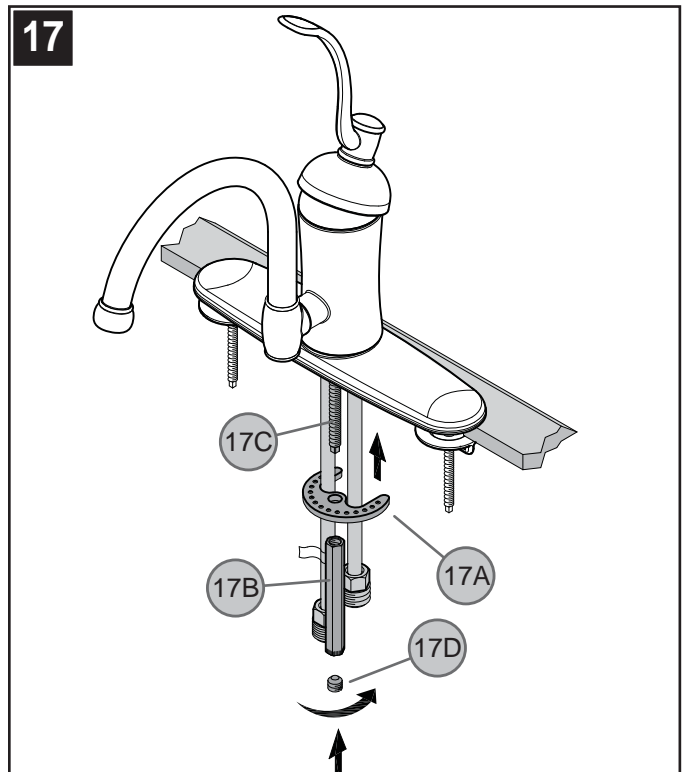
Serrer avec précaution le flexible de douche latérale (15A) sur le tube d'arrivée (15B) de la douche qui se trouve sur l'arrière du corps de mitigeur (15C).

16

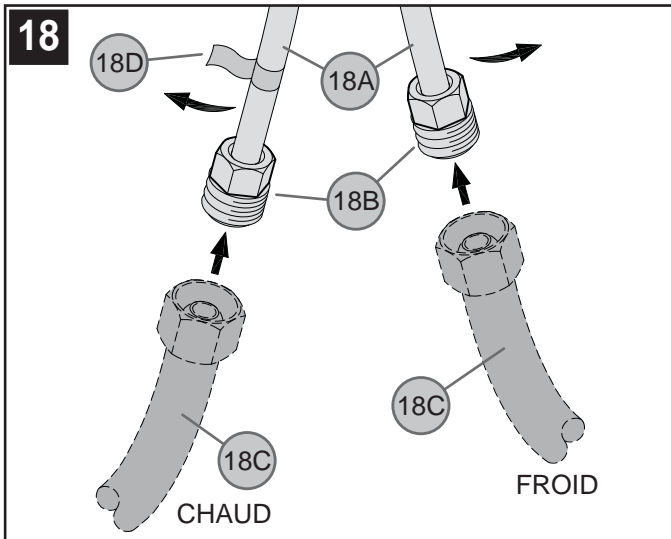
**16 POSE DU MITIGEUR**

La manette et le bec étant tournés vers l'avant, mettre les tubes d'arrivée (16A) du mitigeur en place avec précaution dans le trou central de l'applique (16B) ou dans l'anneau de montage (16C). S'assurer que les pans (16D) du corps de mitigeur (16E) et ceux (16F) de l'applique (16B) ou de l'anneau de montage (16C) sont alignés.

17

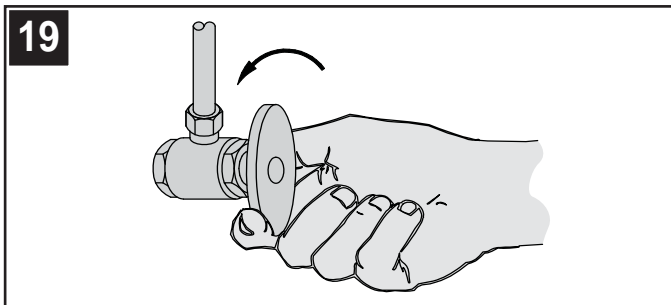
**17 POSE DU PETIT MATÉRIEL DE MONTAGE**

Depuis le dessous de l'évier, fixer le mitigeur en plaçant la rondelle métallique (17A) et l'écrou long (6 pans, 7/16 po) (17B) sur la tige filetée de montage (17C). S'assurer que les bosses de la rondelle métallique (17A) sont sur le dessus. Serrer à l'aide d'un tournevis plat ou d'une clé à molette jusqu'à ce que le mitigeur soit fixé solidement à l'évier. Assujettir la fixation en serrant la vis de pression (17D) sur l'écrou long (17B). **Ne pas trop la serrer.**



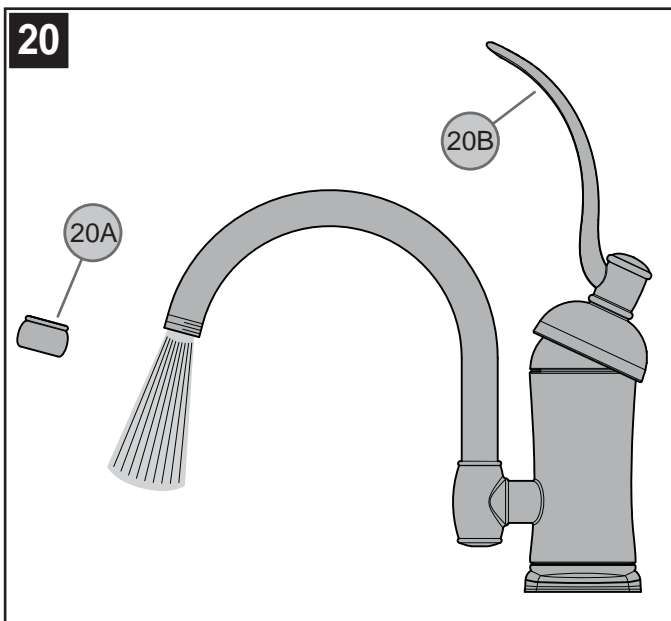
### 18 RACCORDEMENTS DES ARRIVÉES D'EAU

Écarter avec précaution les tubes d'arrivée d'eau chaude et d'eau froide (18A) d'environ 7,6 cm (3 po). Raccorder les tuyaux d'arrivée d'eau (18C) aux entrées des robinets (18B). Raccorder le tuyau d'arrivée d'eau chaude au raccord correspondant (18D) indiqué par l'étiquette rouge. (Les tuyaux d'arrivée d'eau et les raccords ne sont pas fournis). Suivez les instructions du fabricant en installant des canalisations d'alimentation.



### 19 MISE EN SERVICE DU MÉLANGEUR

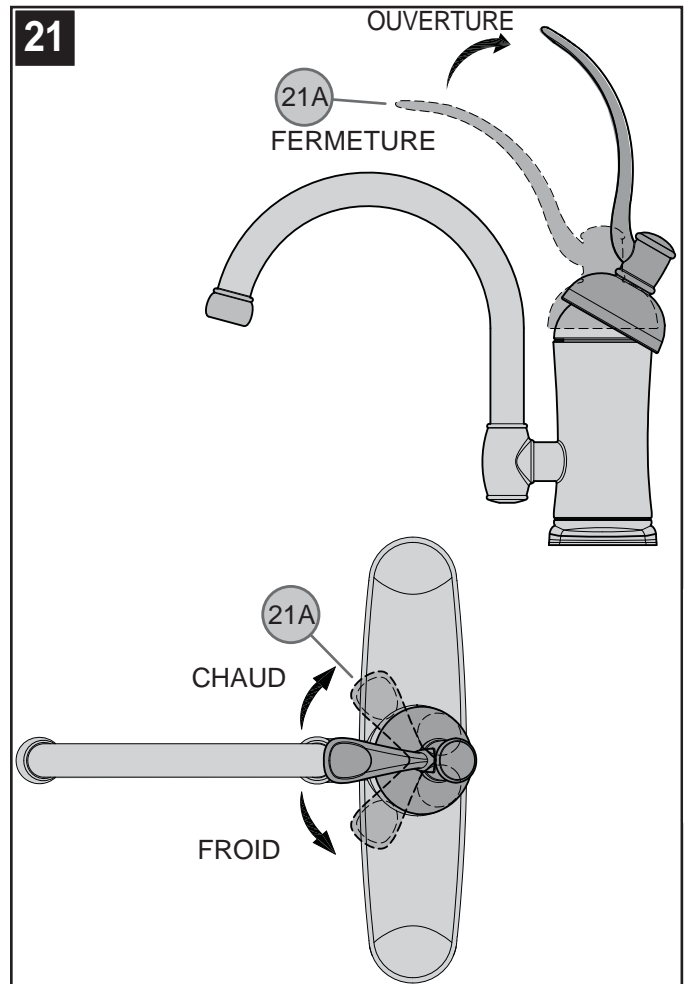
Ouvrir les robinets d'arrivée d'eau chaude et d'eau froide, puis vérifier le dessus et le dessous du lavabo pour voir s'il y a des fuites.



### 20 RINÇAGE

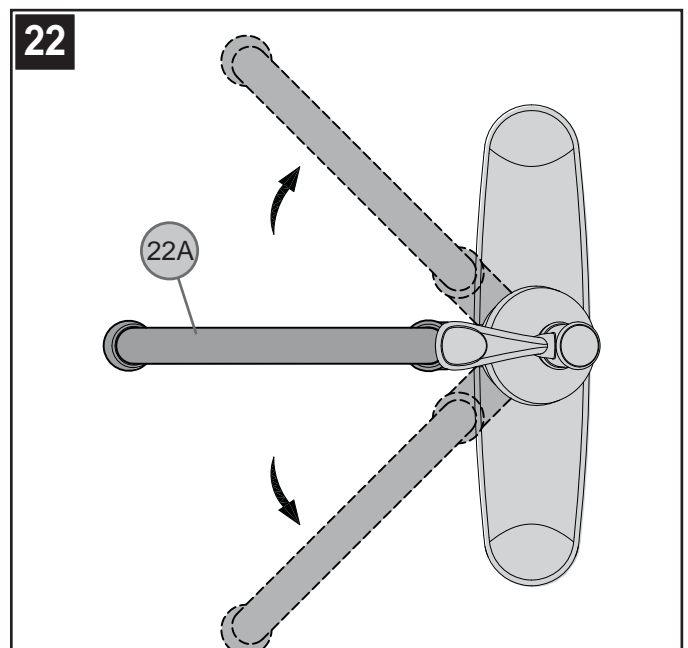
Pour empêcher les pièces internes du mitigeur d'être endommagées par des débris susceptibles de s'être accumulés dans les canalisations d'eau, il est important de rincer le mitigeur. Retirer l'aérateur (20A) et tourner la manette (20B) en position d'OUVERTURE complète. Faire couler l'eau pendant une minute. Répéter l'opération avec l'eau chaude et l'eau froide. Une fois le rinçage terminé, tourner la manette en position de fermeture et remettre l'aérateur (20A) en place.

## FRANÇAIS FONCTIONNEMENT DU MITIGEUR



### 21 FONCTIONNEMENT DU ROBINET

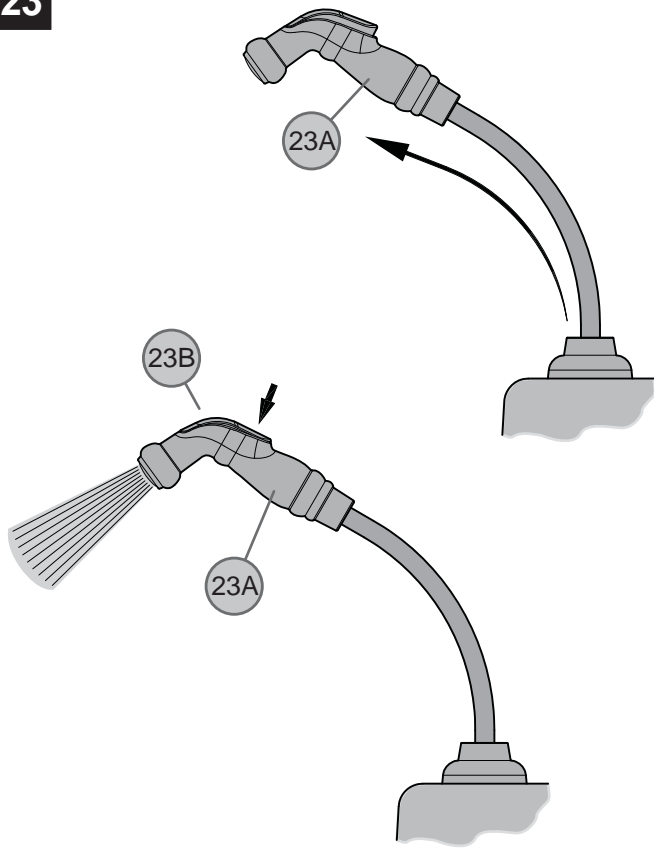
Le relevage de la manette (21A) active le robinet pour permettre à l'eau de couler. Le débit augmente au fur et à mesure que l'on relève la manette (21A). Lorsqu'on tourne la manette (21A) dans le sens antihoraire, la température de l'eau baisse jusqu'à ce que celle-ci soit tout à fait froide. Lorsqu'on tourne la manette (21A) dans le sens horaire, la température de l'eau augmente jusqu'à ce que celle-ci soit très chaude.



### 22 FONCTIONNEMENT DU BEC

Le bec (22A) peut pivoter dans n'importe quel sens autour du corps du mitigeur.

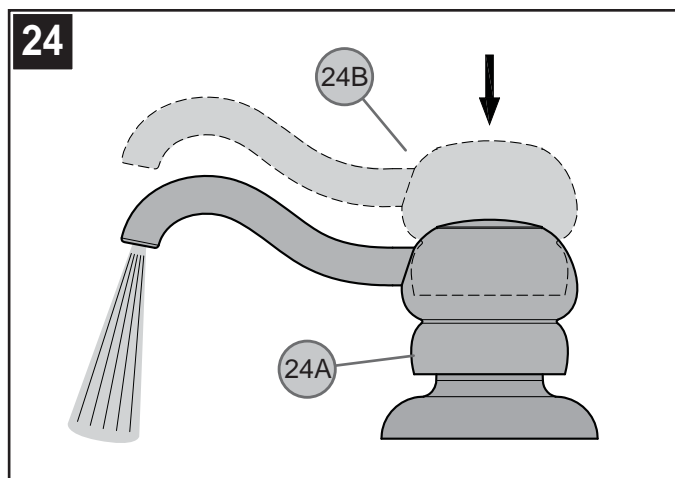
23



### 23 FONCTIONNEMENT DE LA DOUCHETTE LATÉRALE

La douche latérale (23A) peut être tirée vers l'avant pour pulvériser de l'eau dans toute direction. Pour l'activer, appuyer sur la bascule (23B) qui se trouve au dos de la douche (23A).

24

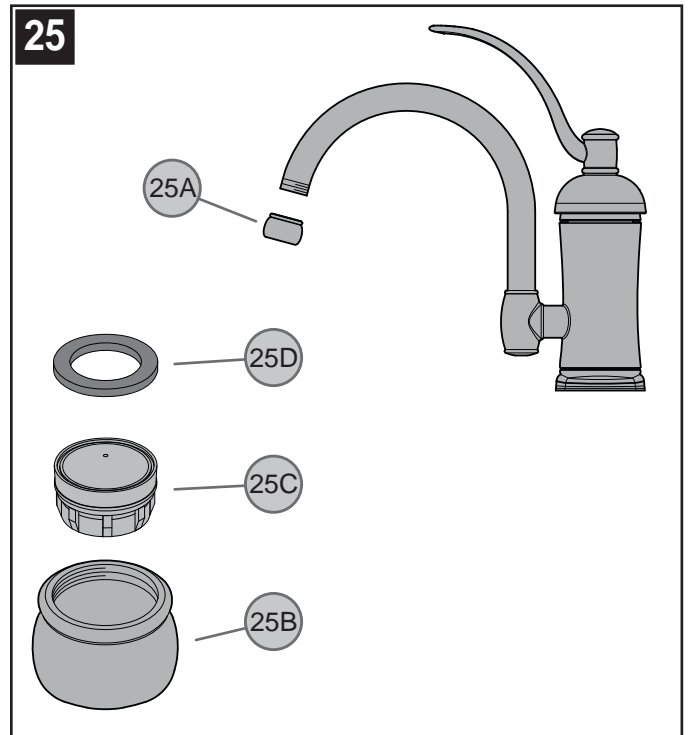


### 24 FONCTIONNEMENT DU DISTRIBUTEUR DE SAVON

Pour activer le distributeur de savon (24A), pressez la tête du distributeur (24B) pour arroser un peu de savon liquide.

## ENTRETIEN ET SOINS

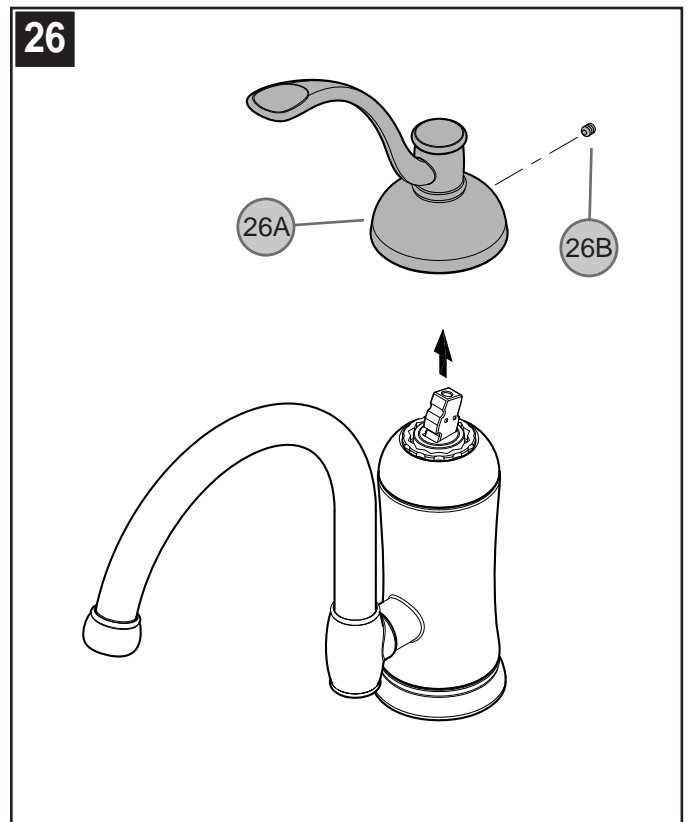
25



### 25 NETTOYAGE DE L'AÉRATEUR

Il se peut que l'aérateur finisse par s'encrasser. Pour le nettoyer, dévisser son corps (25A) du bec. Séparer le logement de l'aérateur (25B), sa crépine (25C) et le joint plat (25D). Une fois ces pièces nettoyées, remonter l'aérateur en inversant l'ordre des opérations.

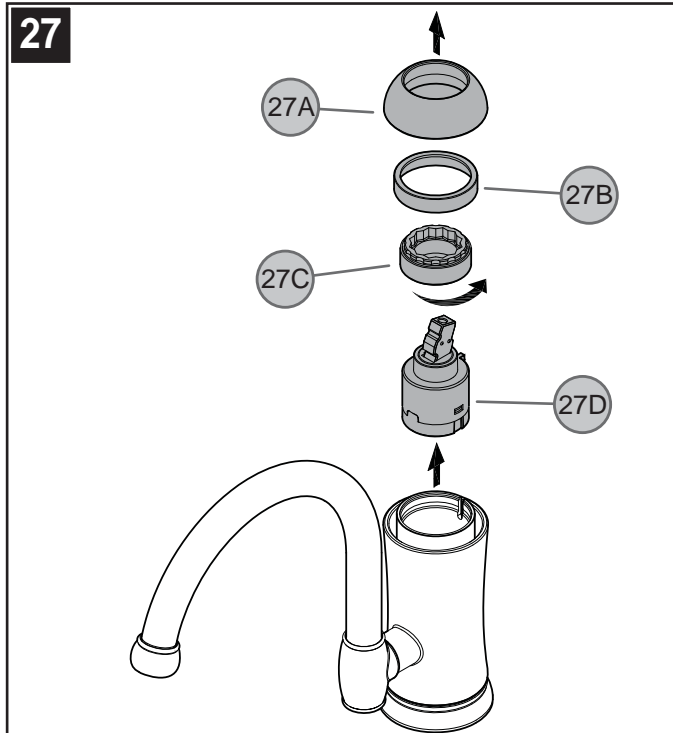
26



### 26 DEMONTAGE DE LA POIGNÉE

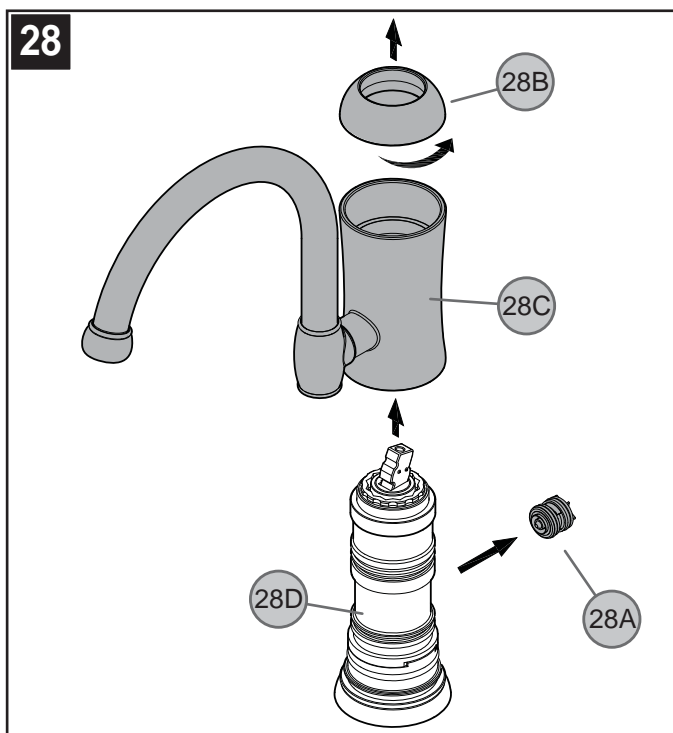
Desserrer la vis de pression (26B) à l'aide d'une clé Allen de 3/32 po et déposer la manette (26A).





## 27 REMPLACEMENT DE LA CARTOUCHE

Couper les arrivées d'eau et dépressuriser avant de travailler sur le mitigeur (voir l'étape 2). Retirer la manette (voir l'étape 26). Retirer le capuchon bombé (27A) en le dévissant dans le sens antihoraire et enlever la bague d'espacement (27B). Dévisser l'anneau de retenue (27C) à l'aide d'une clé à molette. Retirer la cartouche (27D) avec précaution en la tirant droit vers le haut. Examiner la cartouche (27D) pour voir si elle est encrassée ou endommagée. Nettoyer la cartouche (27D) ou la remplacer. Remonter le mitigeur en inversant l'ordre des opérations.



## 28 ENTRETIEN DU MÉCANISME DE DÉRIVATION

Si la douchette latérale ne fonctionne pas correctement, il est possible que le mécanisme de dérivation soit encrassé ou doive être remplacé. Pour vérifier et/ou remplacer le mécanisme de dérivation (28A), couper l'arrivée d'eau et dépressuriser avant de travailler sur le mitigeur (voir l'étape 2). Retirer la manette (voir l'étape 26) et le capuchon bombé (28B), puis soulever le bec (28C) avec précaution. Le mécanisme de dérivation (28A) se trouve à l'arrière du corps intérieur de mitigeur (28D). Retirer le mécanisme de dérivation (28A) avec précaution pour voir s'il est encrassé. Nettoyer ou remplacer le mécanisme de dérivation (28A). Remonter le mitigeur en inversant l'ordre des opérations.



### ATTENTION : entretien

#### DÉMONTAGE

1. Il se peut que les pièces de rechange soient disponibles dans le magasin dans lequel le mélangeur a été acheté.
2. Lorsque des pièces de rechange ne sont pas disponibles, bien vouloir contacter le département du service après-vente de Price Pfister par courrier ou par téléphone.
3. **Toujours couper les arrivées d'eau et dépressuriser avant de travailler sur le mélangeur.**



### REMARQUE : entretien des garnitures

#### Instructions de nettoyage :

N'utiliser qu'un chiffon humide pour nettoyer et polir toutes les manettes et ornements décoratives. L'utilisation de pâte à polir, de détergents, de produits nettoyants abrasifs, de solvants organiques ou d'acide peut endommager ces pièces. L'utilisation d'autre chose qu'un chiffon humide annulera la garantie !

**Garnitures spéciales :** les garnitures contenant de la porcelaine ou une autre substance similaire ne sont pas acceptables dans les lieux publics ou les établissements commerciaux. La pose de telles garnitures se fait aux risques de l'utilisateur.

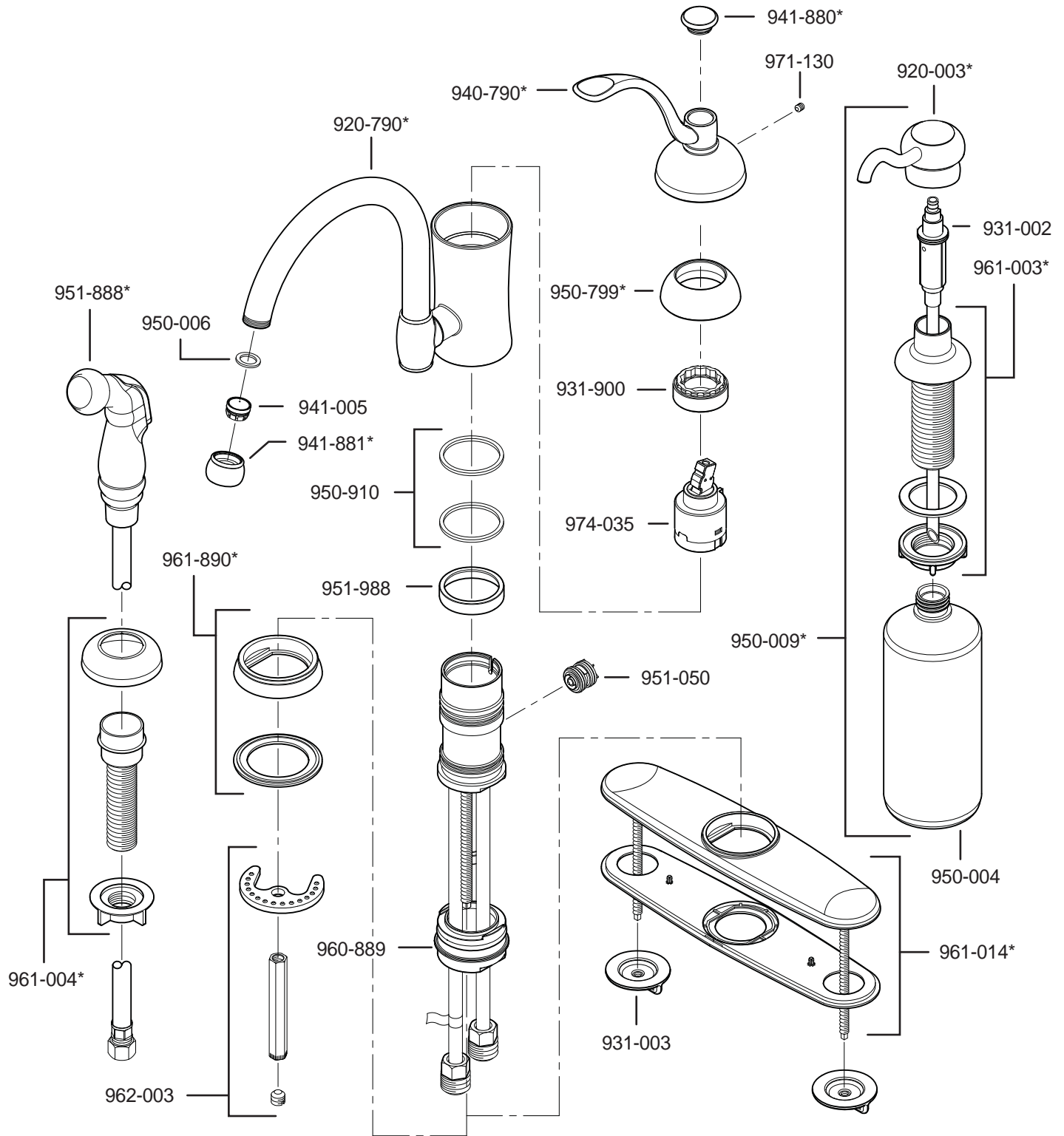


**1-800-PFAUCET (1-800-732-8238)**

Pour les renseignements concernant le service sans frais de Pfaucet, appelez 1-800-PFAUCET (1-800-732-8238) appel ou visite [www.pricepfister.com](http://www.pricepfister.com)

- Aide pour le montage
- Renseignements sur l'entretien et la garantie

Price Pfister®  
Pf Pfreshet Ideas in Pfaucets.



	English	Español	Français
*	Letter Designates Finish	La Letra Indica el Terminado	La Lettre Designe La Fini
A	Polished Chrome	Cromo Pulido	Chrome Poli
S	Stainless Steel	Acero Inoxidable	Acier Inoxydable
Y	Tuscan Bronze	Bronze Toscano	Bronze Le Toscano
Z	Oil Rubbed Bronze	Bronze Frotado Con Aceite	Bronze Huilé

# Price Pfister™

*Pf* Pfresh Ideas in Pfaucets.

19701 DaVinci  
Lake Forest, CA 92610  
Phone: 1-800-Pfaucet  
www.pricepfister.com

A **BLACK & DECKER** COMPANY