



SPECIFICATIONS FOR SHOWERHEADS

Description

- Chrome-plated showerhead
- Durable ABS construction
- Single-function spray jets
- Color-matched brass, 9" extension arm
- Includes shower arm gasket
- Includes thread sealant tape
- Fits standard 1/2" IPS shower arms

Performance

- Designed to provide 2.5 GPM at 80 PSI

Compliance & Listings

- Designed to comply with requirements of ASME A112.18.1
- cUPC (Uniform Plumbing Code & Canadian UPC)

Warranty

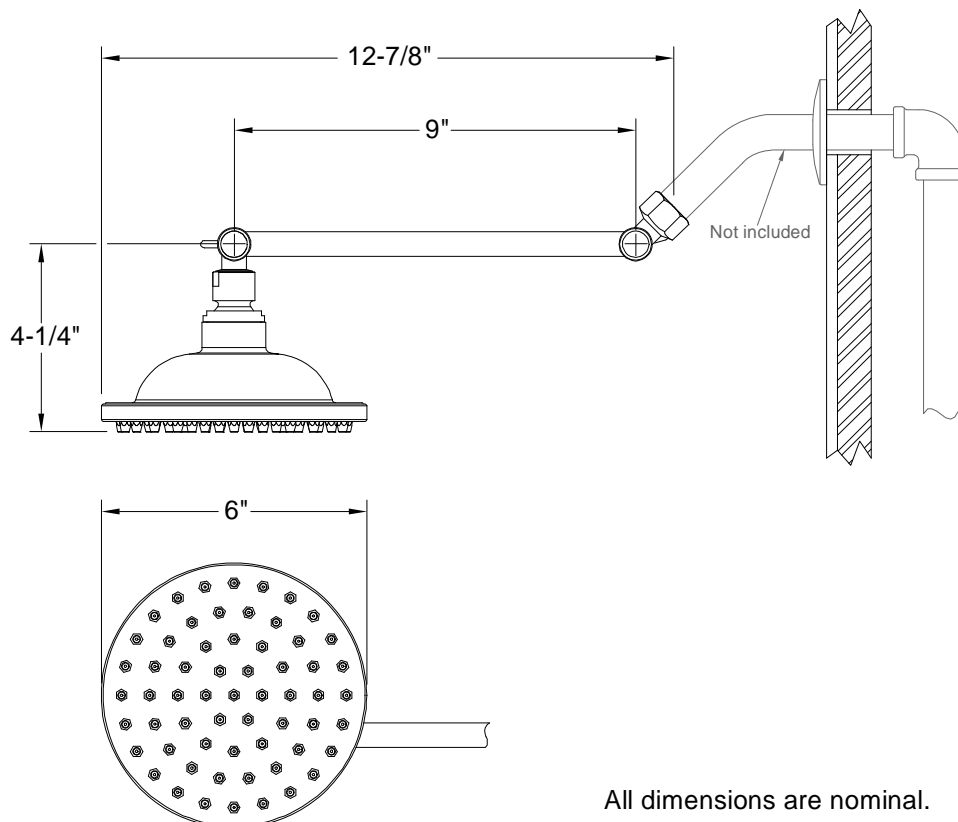
- Three-Year Limited Warranty

Refer to Premier warranty program for further details and restrictions.



Model 192056

Single-Function Showerhead
Chrome-Plated Finish



All dimensions are nominal.