



Description

- Single acrylic handle shower kit
- Single point control of hot and cold water
- Solid forged brass valve assembly
- Chrome plated escutcheon plate and trim
- Suitable for shower only installations
- 1/2" Threaded IPS connections
- Internal parts are interchangeable with genuine Delta® repair parts

Performance

- Designed to provide 2.5 GPM at 80 PSI shower head performance

Compliance

- Designed to comply with requirements of ASME A112.18.1
- Complies with the requirements of the UPC (Uniform Plumbing Code)
- Meets or exceeds CSA B125

Listings

- IAPMO (International Association of Plumbing & Mechanical Officials)
- cUPC (Uniform Plumbing Code & Canadian Uniform Plumbing Code)

Warranty

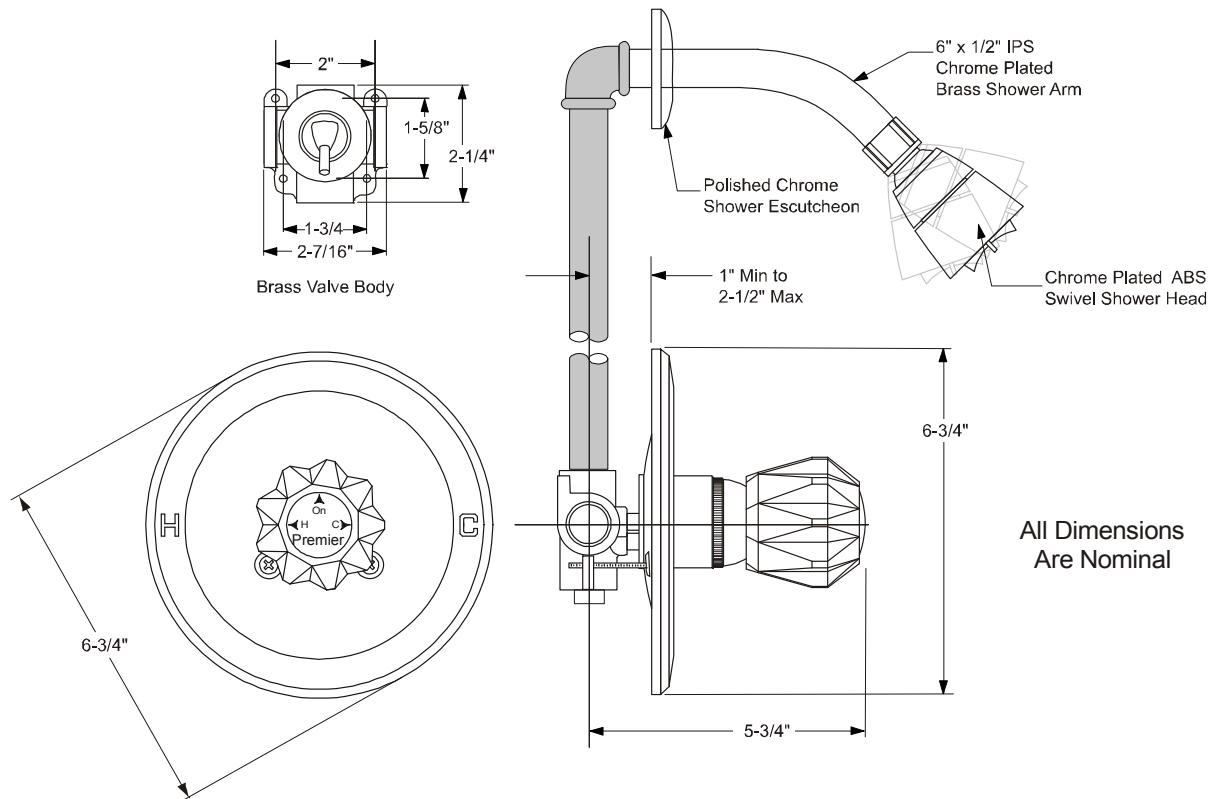
- Limited Lifetime Warranty
Refer to Premier Faucet warranty program for further details and restrictions.

CONCORD™



Model 012028

Single Acrylic Handle Shower Only Set
 Chrome Plated Finish
 1/2" IPS Connection



For additional information contact Premier Faucet at 866-745-4010 or visit our website at www.premierfaucet.com