



Model 012020

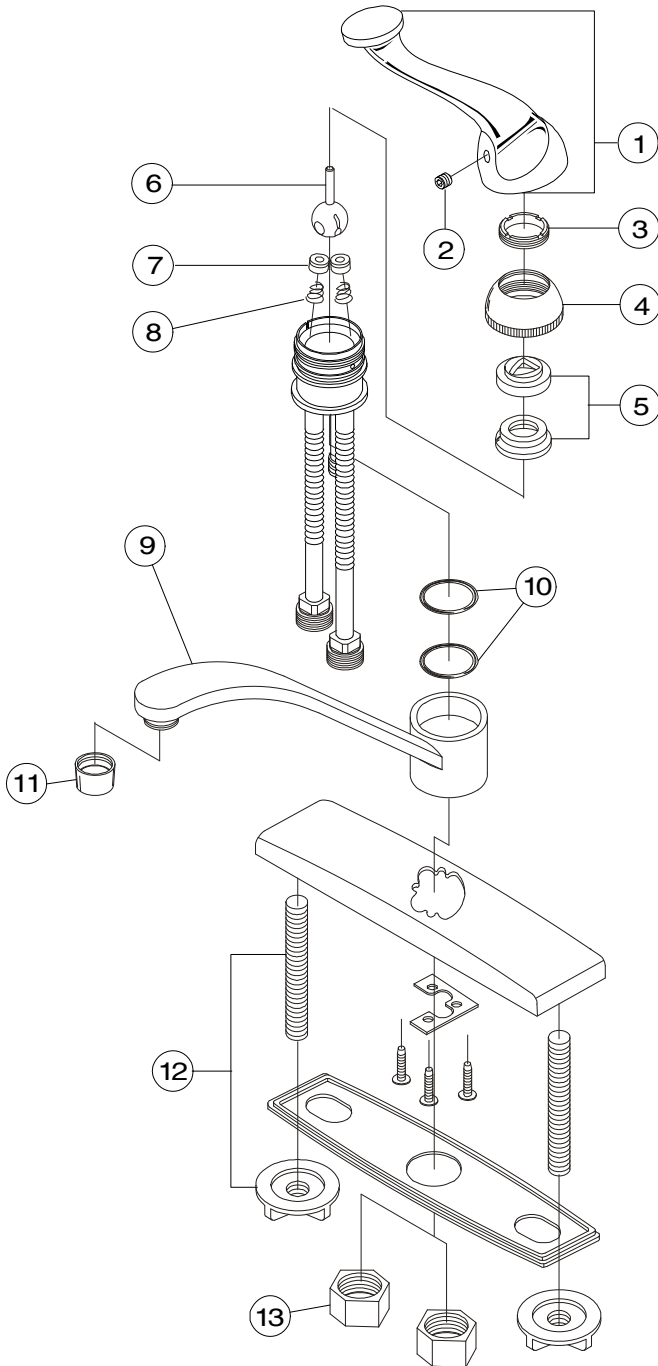
Single Handle Kitchen Faucet
Less Spray
Chrome Plated Finish
1/2" IPS Connection

CONCORD™



Model 012020

Refer to Premier Faucet Parts List Sheet for part numbers and ordering information.



For additional information contact Premier Faucet at 866-745-4010 or visit our website at www.premierfaucet.com

**Model 012020**

Single Handle Kitchen Faucet
 Less Spray
 Chrome Plated Finish
 1/2" IPS Connection

CONCORD™

Model 012020

Refer to Premier Faucet Parts Schematic Sheet for parts diagram.

INDEX	DESCRIPTION	MATERIAL	QTY	PART NO
1	HANDLE ASSEMBLY	ZINC	1	133096
2	HANDLE SCREW	STAINLESS STEEL	1	994186
3	TENSION RING	BRASS	1	133593
4	CAP	ZINC	1	133625
5	CAM & PACKING	POM/RUBBER	1	133577
6	BALL	STAINLESS STEEL	1	133437
7	SEAT WASHER	RUBBER	2	133398
8	SPRING	STAINLESS STEEL	2	133400
9	SPOUT	BRASS	1	994463
10	O-RING	RUBBER	2	133725
11	AERATOR	BRASS	1	144211
12	POST & NUT	STEEL	2	994276
13	COUPLING NUT	BRASS	2	133838