



Description

- Twin acrylic handle shower set
- Chrome plated finish
- All brass construction
- Standard 8" on-center, two hole installation
- 1/2" Brass IPS connections with ground joint swivel unions
- Internal parts are interchangeable with genuine Delta® repair parts

Performance

- Designed to provide 2.5 GPM at 80 PSI shower head performance

Compliance

- Designed to comply with requirements of ASME A112.18.1
- Complies with the requirements of the UPC (Uniform Plumbing Code)

Listings

- IAPMO (International Association of Plumbing & Mechanical Officials)
- cUPC (Uniform Plumbing Code & Canadian Uniform Plumbing Code)

Warranty

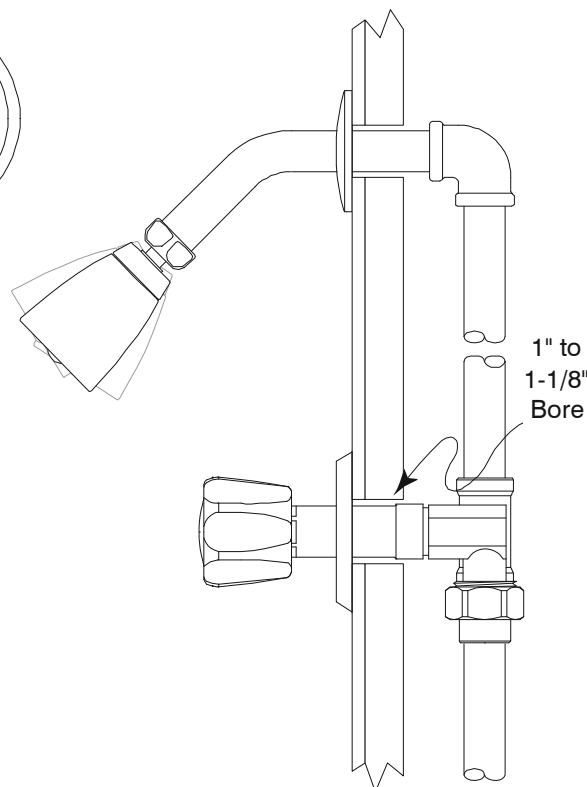
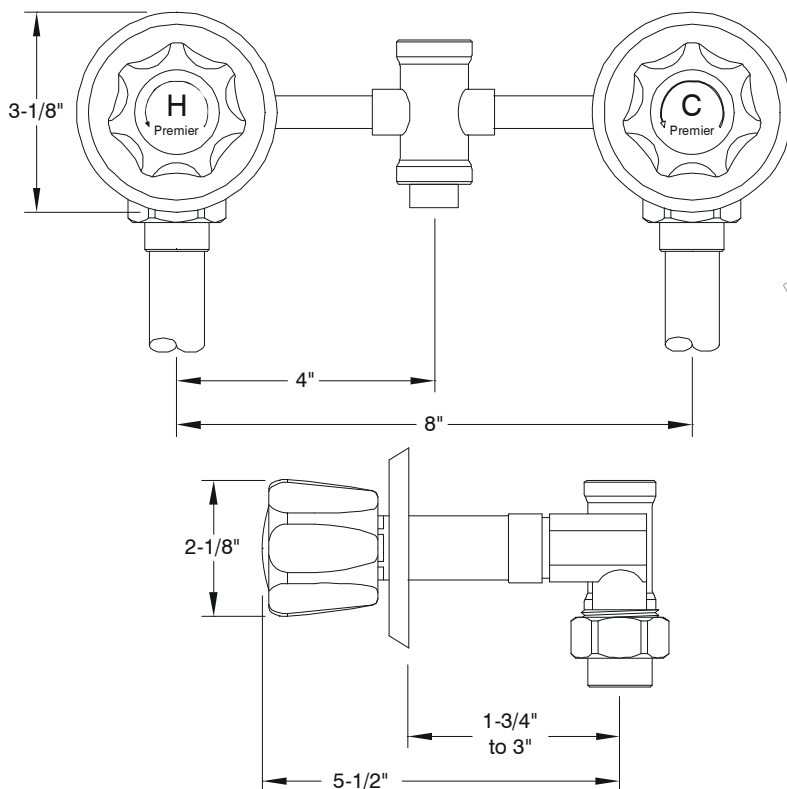
- Limited Lifetime Warranty  
Refer to Premier Faucet warranty program for further details and restrictions.

# CONCORD™



## Model 012062

Twin Acrylic Handle Shower Only Set  
 Chrome Plated Finish  
 1/2" IPS Connection



For additional information contact Premier Faucet at 866-745-4010 or visit our website at [www.premierfaucet.com](http://www.premierfaucet.com)