



Model 04345

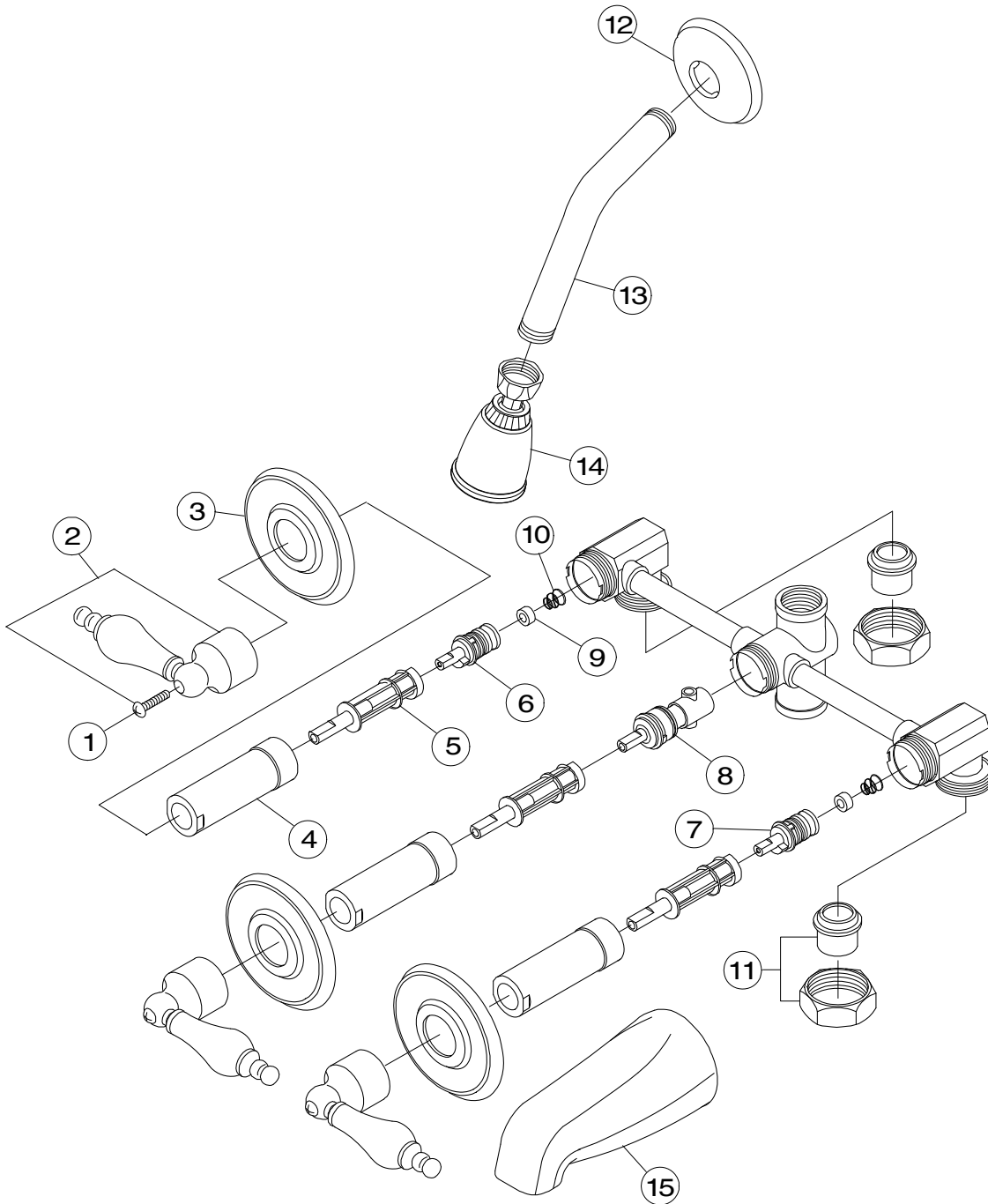
Three Lever Handle Tub & Shower Set
Chrome Plated Finish
1/2" IPS Connection

Ashbury™



Model 04345

Refer to Premier Faucet Parts List Sheet for part numbers and ordering information.



For additional information contact Premier Faucet at 866-745-4010 or visit our website at www.premierfaucet.com



Model 04345

Three Lever Handle Tub & Shower Set
Chrome Plated Finish
1/2" IPS Connection

Ashbury™



Model 04345

Refer to Premier Faucet Parts Schematic Sheet for parts diagram.

INDEX	DESCRIPTION	MATERIAL	QTY	PART NO
1	HANDLE SCREW	BRASS	3	994188
2	HANDLE ASSEMBLY	METAL PORCELAIN	3	994125
3	ESCUTCHEON	BRASS	3	994407
4	ESCUTCHEON TUBE	BRASS	3	994436
5	HANDLE EXTENDER	POM	3	133086
6	CARTRIDGE - HOT	PLASTIC	1	163407
7	CARTRIDGE - COLD	PLASTIC	1	163406
8	DIVERTER	PLASTIC	1	163130
9	SEAT WASHER	RUBBER	2	133398
10	SPRING	STAINLESS STEEL	2	133400
11	UNION ASSEMBLY	BRASS	2	994625
12	ESCUTCHEON	STAINLESS STEEL	1	ESC1
13	SHOWER ARM	BRASS	1	79101
14	SHOWER HEAD	ABS	1	7915
15	TUB SPOUT	ZINC	1	609524