



617527 617528

UNION SQUARE 3 LIGHT VANITY

FEATURES:

- Fixture size: D: 5-1/2" H:10-1/4" E:7"
- Round steel tube
- The decorative finial matching the faucet
- 60W*1 bulb with E27 socket
- Opal glass with bugle shape
- Clean and classic
- 100% test before shipment



CODES / STANDARDS APPLICABLE:

Specified model meets or exceeds the following:

- Under UL E127416

AVAILABLE FINISHES:

- CP = Polished Chrome Finish
- NP = Brushed Nickel Finish

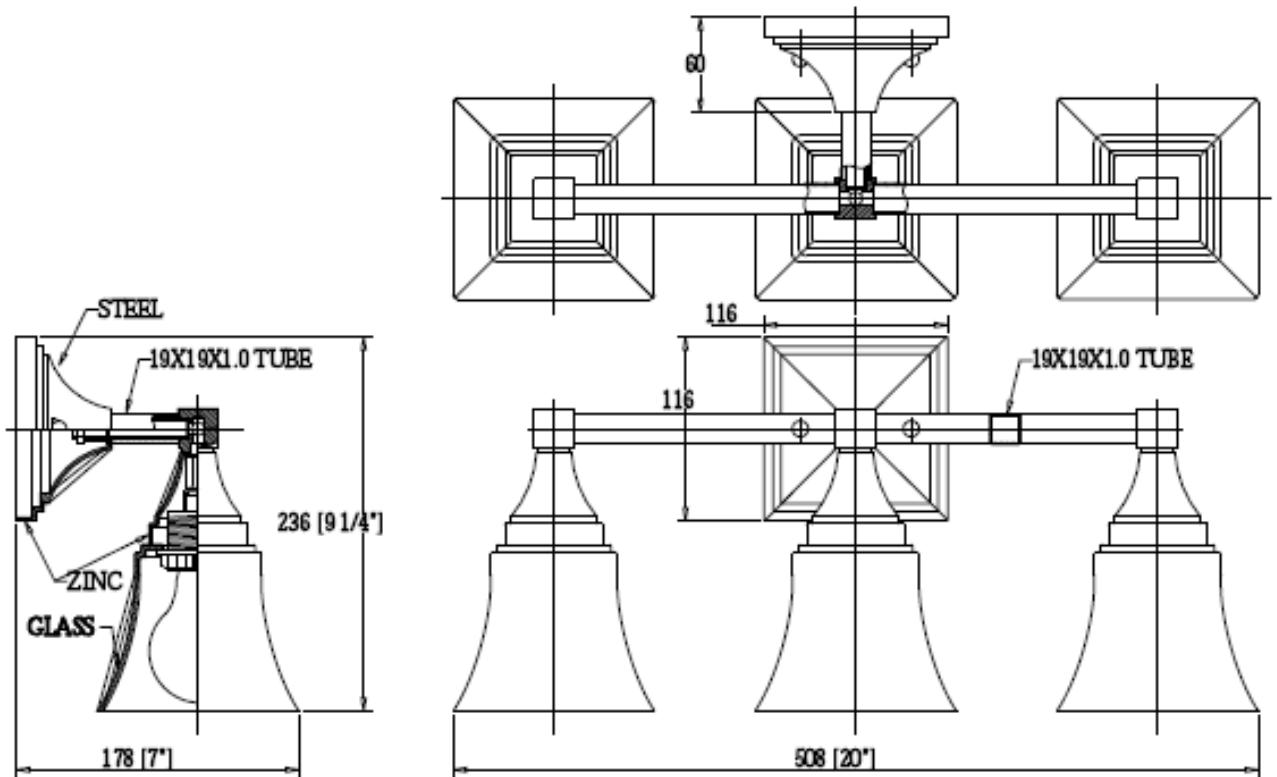
SPECIFIED MODEL:

Model	Description	Finish	
617527	1 Light Vanity	CP	
617528	1 Light Vanity	NP	



617527 617528

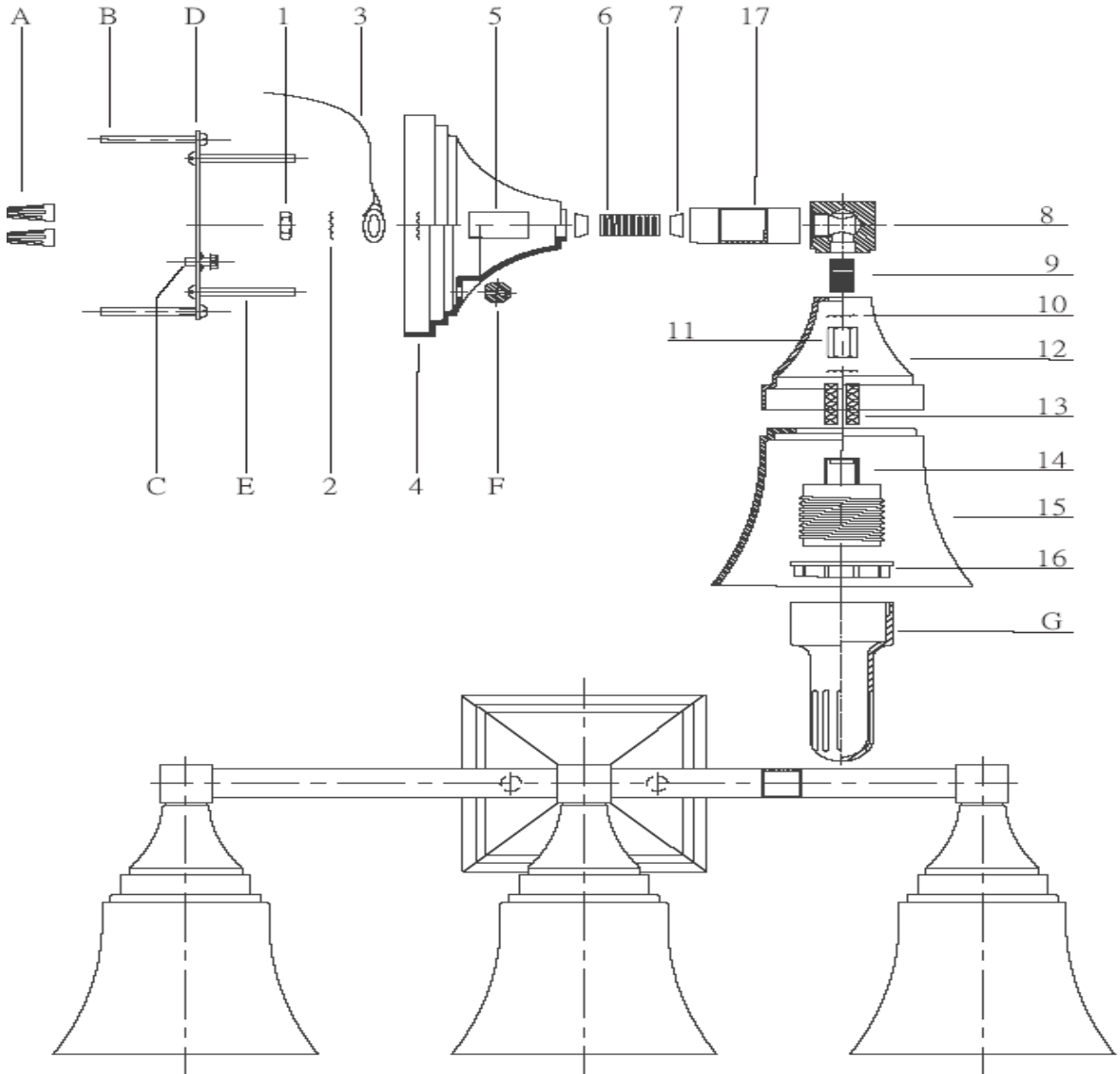
PRODUCT SPECIFICATION DIAGRAM





617527 617528

EXPLODED DRAWING





617527

PARTS LISTING

NO.	Parts No.	Name	Qty
A	NBBY3	Connector	2
B	S8#B38ZB	Screw	2
C	SGK	Screw	1
D	NNE1058-2ZN	Universal	1
E	S5\$C30ZN	Screw	2
F	NN0041-1CH	Half ball	2
G	PP2536-1	E27 spanner	1
1	NA4\$04	Sleeve	1
2	NHB4	Washer	2
3	RGN25-E	Big connector	1
4	KB2352-1CHP	Back plate	1
5	TA158E015ZN	Steel tube	1
6	T080F	Nipple	1
7	NBA04	Steel tube	2
8	TK4959-1CHP	Arm	1
9	T035	Nipple	3
10	NHB3	Washer	6
11	NA3\$20ZN	Hex nut	3
12	HC4826-1CHP	Cap	3
13	NC03x05C	Silicone sleeve	6
14	EBBC25AW011	Socket	1
	EBBC45AW011	Socket	2
15	GAG4222-1WHFR	Opal glass	3
16	NN0519-1W002H	Ring	3
17	TK5251-1CHP	Square Tube	1



617528

PARTS LISTING

NO.	Parts No.	Name	Qty
A	NBBY3	Connector	2
B	S8#B38ZB	Screw	2
C	SGK	Screw	1
D	NNE1058-2ZN	Universal	1
E	S5\$C30ZN	Screw	2
F	NN0041-1NK	Half ball	2
G	PP2536-1	E27 spanner	1
1	NA4\$04	Sleeve	1
2	NHB4	Washer	2
3	RGN25-E	Big connector	1
4	KB2352-1NKP1	Back plate	1
5	TA158E015ZN	Steel tube	1
6	T080F	Nipple	1
7	NBA04	Steel tube	2
8	TK4959-1NKP1	Arm	1
9	T035	Nipple	3
10	NHB3	Washer	6
11	NA3\$20ZN	Hex nut	3
12	HC4826-1NKP1	Cap	3
13	NC03x05C	Silicone sleeve	6
14	EBBC25AW011	Socket	1
	EBBC45AW011	Socket	2
15	GAG4222-1WHFR	Opal glass	3
16	NN0519-1W002H	Ring	3
17	TK5251-1NKP1	Square Tube	1