



Model 120175

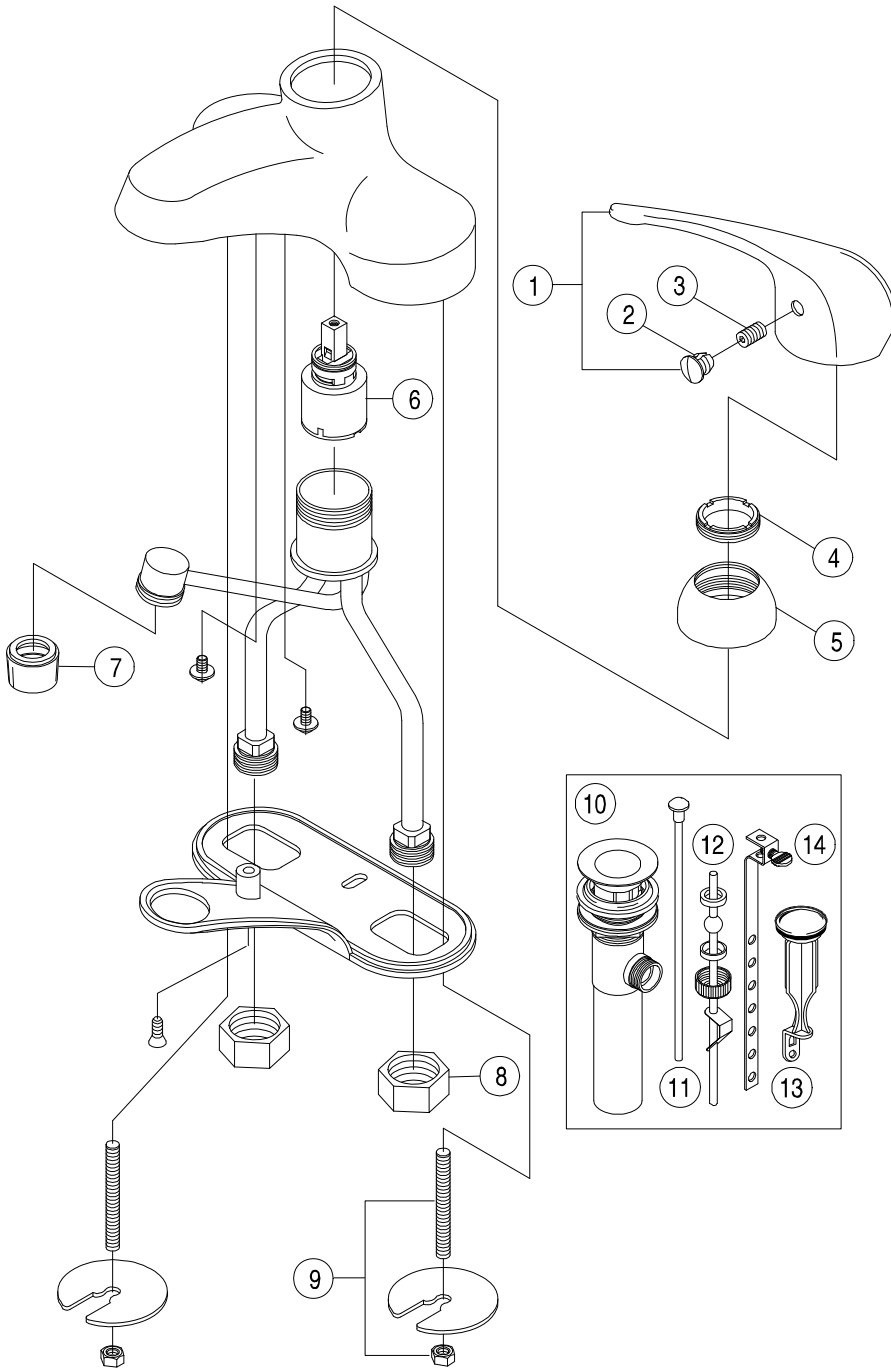
Single Lever Handle Lavatory Faucet
Brushed Nickel Finish
With Brass Pop-Up
1/2" IPS Connection

Bayview™



Model 120175

Refer to Premier Faucet Parts List Sheet for part numbers and ordering information.



For additional information contact Premier Faucet at 866-745-4010 or visit our website at www.premierfaucet.com



Model 120175

Single Lever Handle Lavatory Faucet
Brushed Nickel Finish
With Brass Pop-Up
1/2" IPS Connection

Bayview™



Model 120175

Refer to Premier Faucet Parts Schematic Sheet for parts diagram.

INDEX	DESCRIPTION	MATERIAL	QTY	PART NO
1	HANDLE ASSEMBLY	METAL	1	994163
2	INDEX PLUG	PLASTIC	1	994202
3	HANDLE SCREW	STAINLESS STEEL	1	994197
4	TENSION RING	BRASS	1	994635
5	CAP	ZINC	1	994361
6	CARTRIDGE	CERAMIC	1	163000
7	AERATOR	BRASS	1	994104
8	COUPLING NUT	BRASS	2	133838
9	INSTALLATION KIT	STEEL	2	994258
10	POP-UP ASSEMBLY	BRASS	1	124011
11	LIFT ROD	METAL	1	994606
12	BALL ROD ASSY	METAL/PLASTIC	1	133833
13	STOPPER	PLASTIC	1	994612
14	LIFT STRAP	METAL	1	133833