



Model 120175

Description

- European styled lavatory faucet
- Single lever control trouble-free ceramic cartridge
- Brushed nickel finish
- Machined brass valve body
- 4" center set
- Includes all brass pop-up with color matched trim
- 3/8" OD soft copper supply lines with 1/2" brass IPS connections

Performance

- Designed to provide 2.2 GPM at 60 PSI

Compliance

- Designed to comply with requirements of ASME A112.18.1
- Meets low lead requirements of NSF Standard- 61, Section- 9
- Meets low lead requirements of California Proposition- 65
- Complies with the requirements of the UPC (Uniform Plumbing Code)
- Complies with ADA (American With Disabilities Act)
- Meets or exceeds CSA B125

Listings

- IAPMO (International Association of Plumbing & Mechanical Officials)
- cUPC (Uniform Plumbing Code & Canadian Uniform Plumbing Code)

Warranty

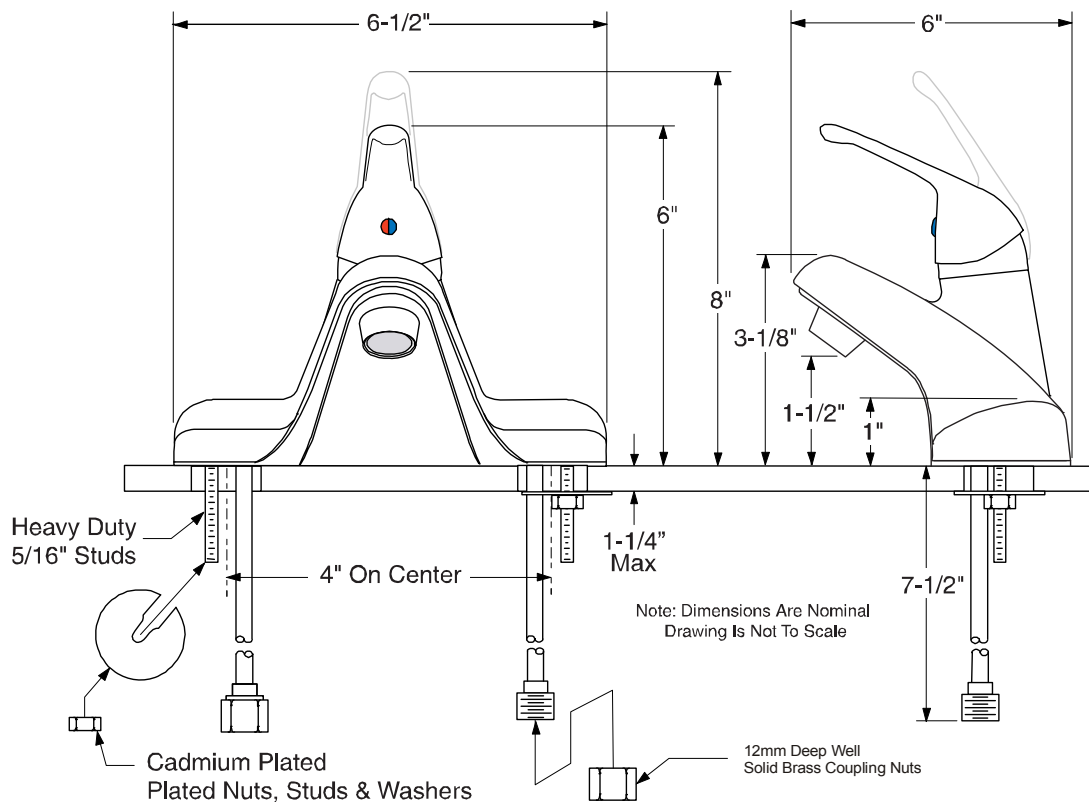
- Limited Lifetime Warranty
Refer to Premier Faucet warranty program for further details and restrictions.

Bayview™



Model 120175

Single Lever Handle Lavatory Faucet
Brushed Nickel Finish
With Brass Pop-Up
1/2" IPS Connection



For additional information contact Premier Faucet at 866-745-4010 or visit our website at www.premierfaucet.com