



Model 120005

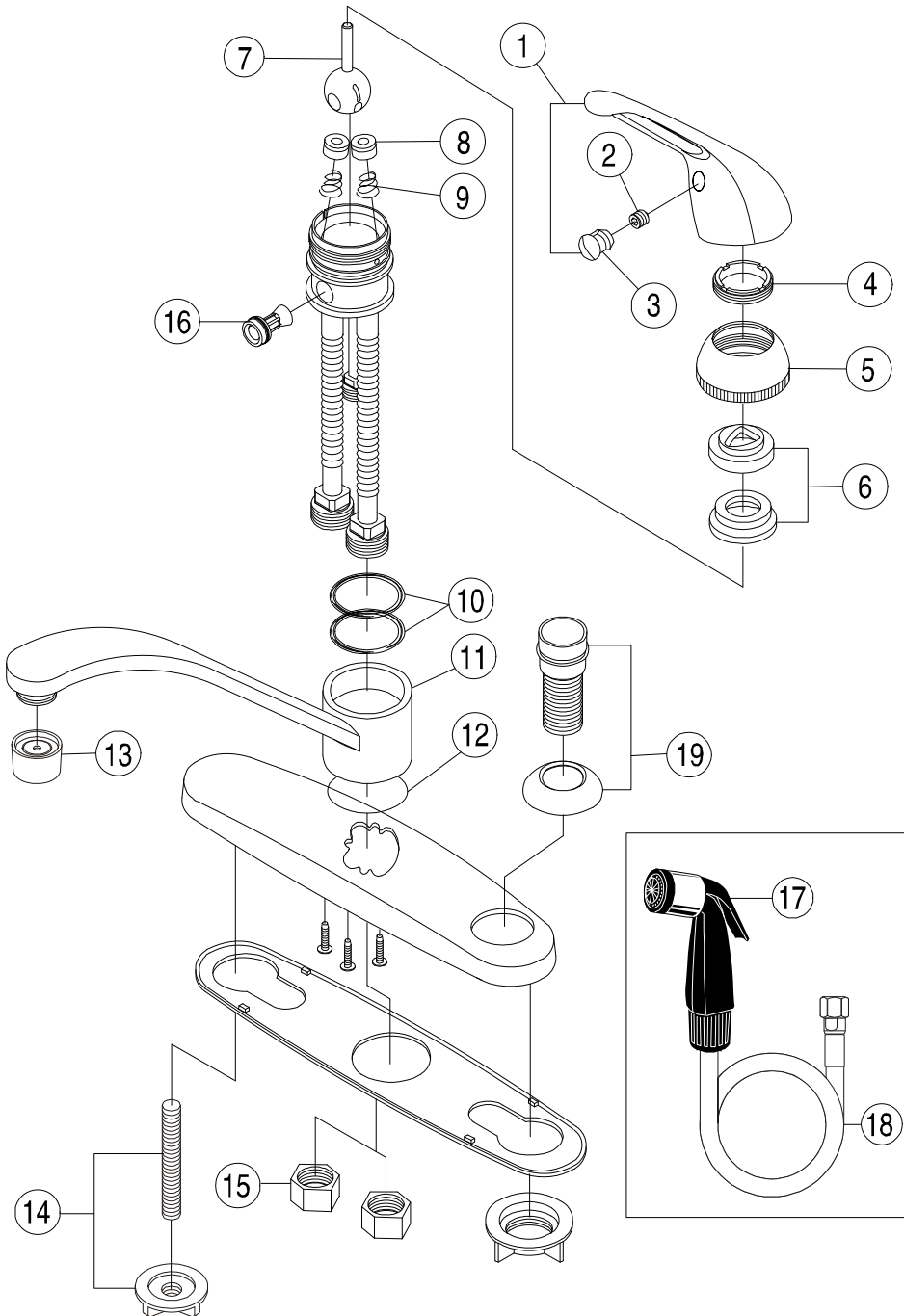
Single Loop Handle Kitchen Faucet
Chrome Plated Finish
With On-Deck Spray
1/2" IPS Connection

Bayview™



Model 120005

Refer to Premier Faucet Parts List Sheet for part numbers and ordering information.



For additional information contact Premier Faucet at 866-745-4010 or visit our website at www.premierfaucet.com

**Model 120005**

Single Loop Handle Kitchen Faucet
 Chrome Plated Finish
 With On-Deck Spray
 1/2" IPS Connection

Bayview™

Model 120005

Refer to Premier Faucet Parts Schematic Sheet for parts diagram.

INDEX	DESCRIPTION	MATERIAL	QTY	PART NO
1	HANDLE ASSEMBLY	METAL	1	994130
2	HANDLE SCREW	STAINLESS STEEL	1	994197
3	INDEX PLUG	PLASTIC	1	994202
4	TENSION RING	BRASS	1	133625
5	CAP	ZINC	1	133625
6	CAM & PACKING	PLASTIC/RUBBER	1	133577
7	BALL	STAINLESS STEEL	1	133437
8	SEAT WASHER	RUBBER	2	133398
9	SPRING	STAINLESS STEEL	2	133400
10	SPOUT O-RING	RUBBER	2	133725
11	SPOUT	BRASS	1	994467
12	FRICTION RING	PE	1	994517
13	AERATOR	BRASS	1	144211
14	POST & NUT	STEEL/PLASTIC	1	994276
15	COUPLING NUT	BRASS	2	133838
16	SPRAY DIVERter	PLASTIC	1	013011
17	SPRAYER	PLASTIC	1	80641
18	SPRAY HOSE	PVC	1	153185
19	SPRAY CRADLE	PLASTIC	1	994287