



Model 120024

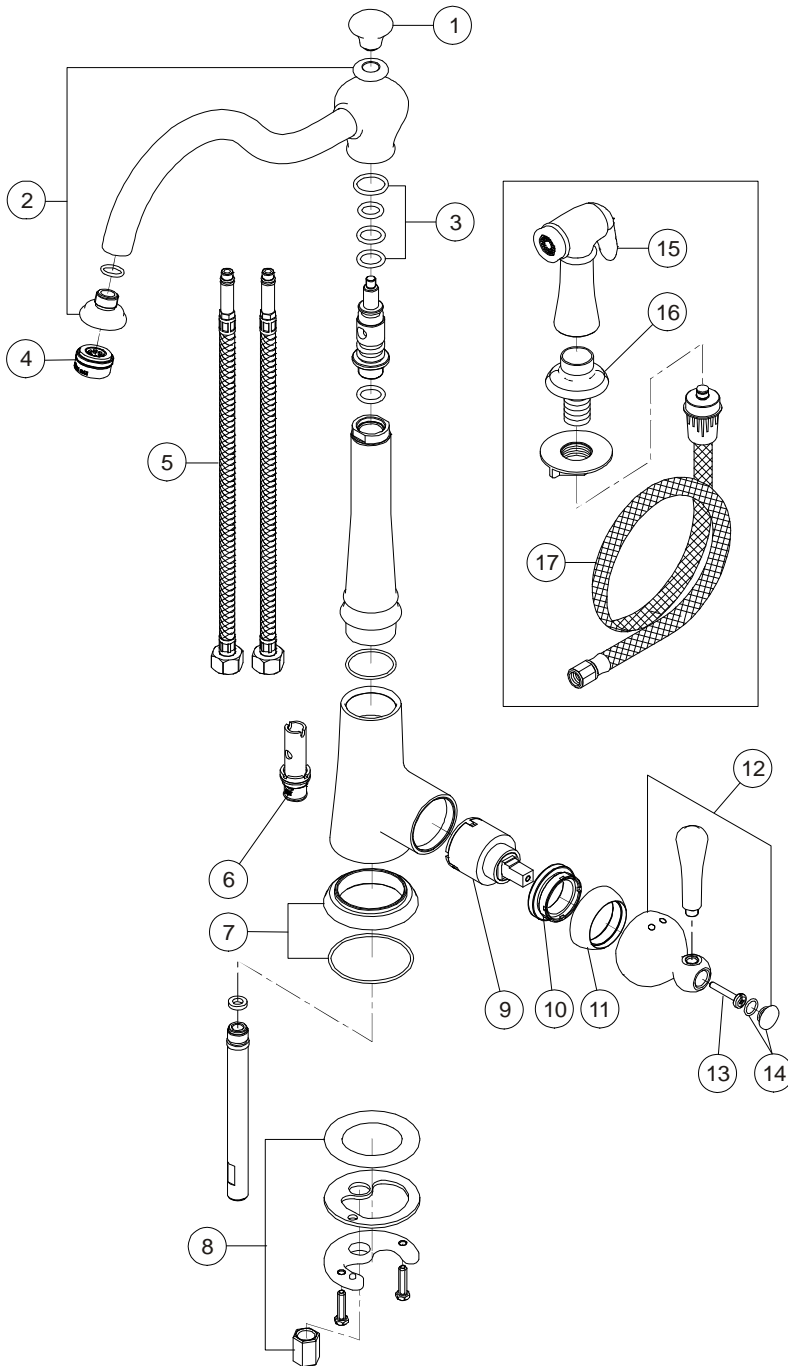
Single Lever Handle Kitchen Faucet
Single Hole Mount With Spray
Chrome Plated Finish
1/2" IPS Connection

SONOMA™



Model 120024

Refer to Premier Faucet Parts List Sheet for part numbers and ordering information.



For additional information contact Premier Faucet at 866-745-4010 or visit our website at www.premierfaucet.com





Model 120024

Single Lever Handle Kitchen Faucet
Single Hole Mount With Spray
Chrome Plated Finish
1/2" IPS Connection

SONOMA™



Refer to Premier Faucet Parts Schematic Sheet for parts diagram.

INDEX	DESCRIPTION	MATERIAL	QTY	PART NO
1	CAP	BRASS	1	994348
2	SPOUT ASSEMBLY	BRASS	1	994485
3	SPOUT GASKET KIT	RUBBER	1	994548
4	AERATOR	BRASS	1	144219
5	CONNECTION HOSE	STAINLESS STEEL	2	994649
6	SPRAY DIVERTER	PLASTIC	1	994644
7	BASE ASSEMBLY	BRASS	1	994383
8	INSTALLATION KIT	BRASS	1	994265
9	CARTRIDGE	CERAMIC	1	994105
10	BONNET NUT	BRASS	1	994319
11	CAP	BRASS	1	994352
12	HANDLE ASSEMBLY	BRASS	1	994136
13	HANDLE SCREW	STEEL	1	994194
14	SCREW COVER ASSY	BRASS	1	994237
15	SPRAYER	BRASS	1	994299
16	SPRAY CRADLE	PLASTIC	1	994290
17	SPRAY HOSE	PVC	1	153185

