



Model 120636

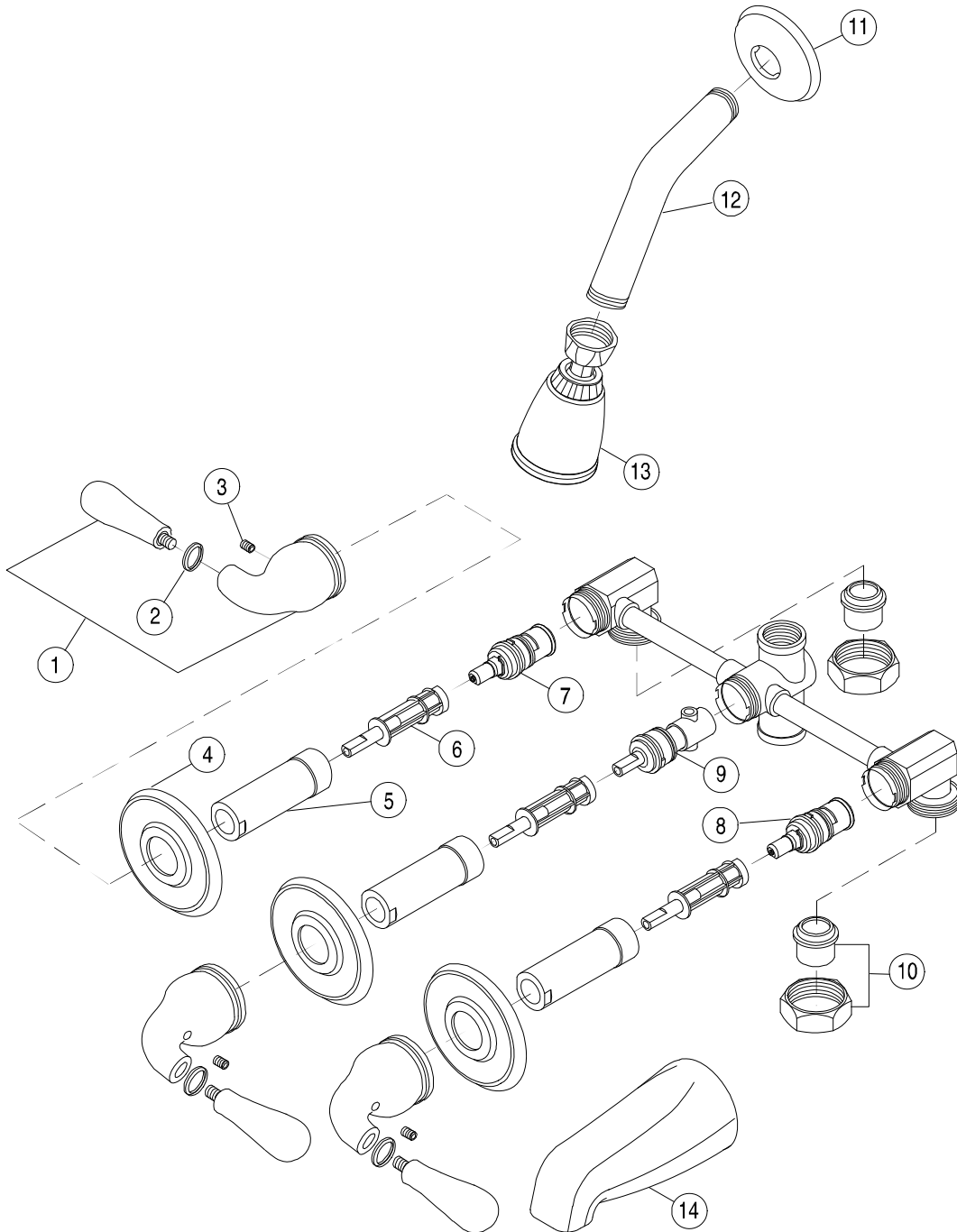
Three Lever Handle Tub & Shower Set
Chrome Plated Finish
1/2" IPS Connection

Sanibel™



Model 120636

Refer to Premier Faucet Parts List Sheet for part numbers and ordering information.



For additional information contact Premier Faucet at 866-745-4010 or visit our website at www.premierfaucet.com

**Model 120636**

Three Lever Handle Tub & Shower Set
Chrome Plated Finish
1/2" IPS Connection

Sanibel™



Model 120636

Refer to Premier Faucet Parts Schematic Sheet for parts diagram.

INDEX	DESCRIPTION	MATERIAL	QTY	PART NO
1	HANDLE ASSEMBLY	METAL	3	994173
2	INDEX RINGS	PLASTIC	3	994207
3	HANDLE SCREW	STAINLESS STEEL	3	994197
4	ESCUTCHEON	BRASS	3	994407
5	ESCUTCHEON TUBE	BRASS	3	994436
6	HANDLE EXTENDER	PLASTIC	3	133086
7	CARTRIDGE - HOT	CERAMIC	1	133508
8	CARTRIDGE - COLD	CERAMIC	1	133509
9	DIVERTER	PLASTIC	1	163130
10	UNION ASSEMBLY	BRASS	2	994625
11	ESCUTCHEON	BRASS	1	ESC1
12	SHOWER ARM	BRASS	1	79101
13	SHOWER HEAD	BRASS	1	7915
14	TUB SPOUT	METAL	1	101007