



# Model 120400

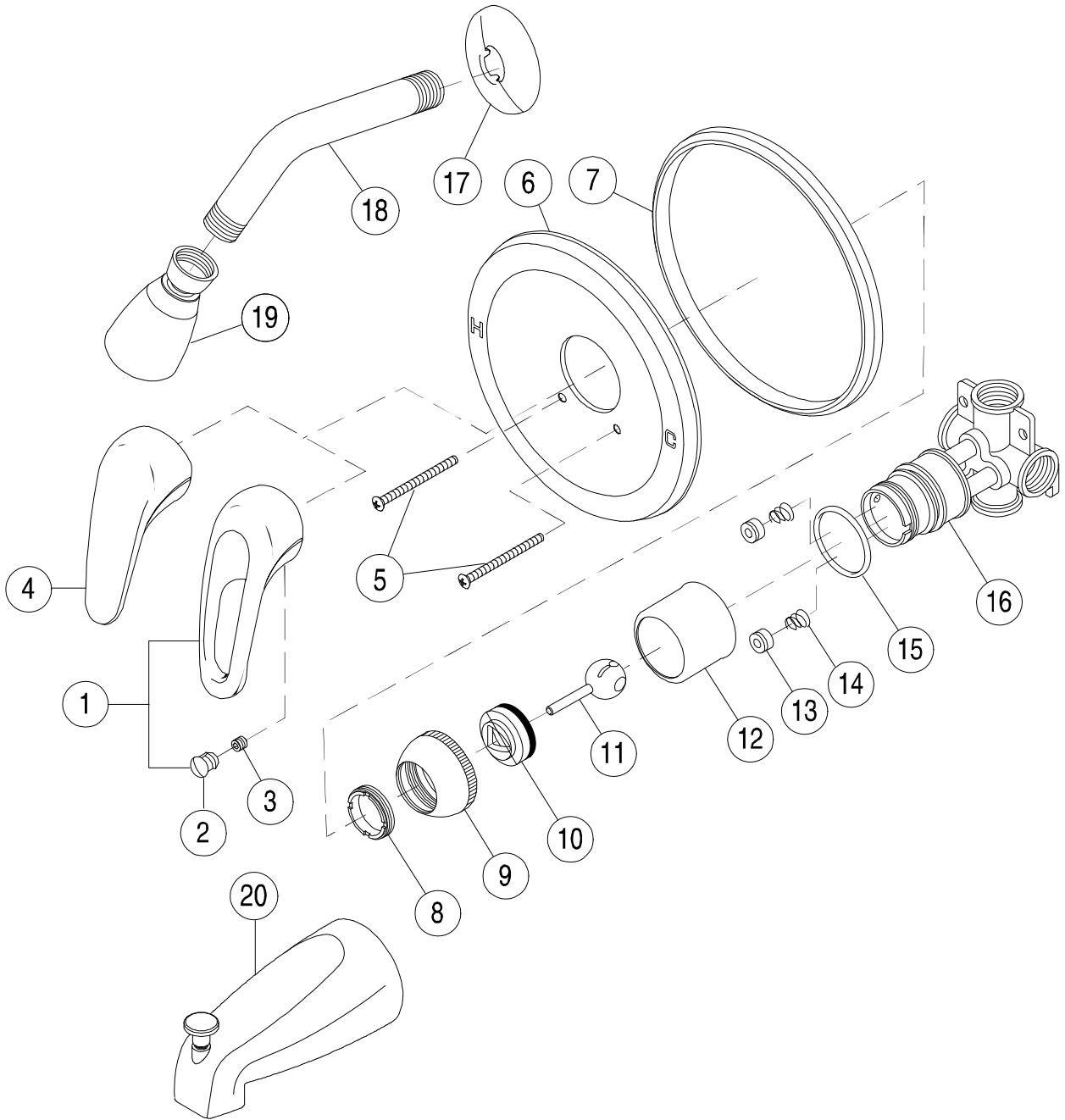
Single Loop Handle Tub & Shower Set  
Chrome Plated  
1/2" IPS Connection

# Bayview™



Model 120400

Refer to Premier Faucet Parts List Sheet for part numbers and ordering information.



For additional information contact Premier Faucet at 866-745-4010 or visit our website at [www.premierfaucet.com](http://www.premierfaucet.com)

**Model 120400**

Single Loop Handle Tub & Shower Set  
 Chrome Plated  
 1/2" IPS Connection

**Bayview™**

Model 120400

*Refer to Premier Faucet Parts Schematic Sheet for parts diagram.*

INDEX	DESCRIPTION	MATERIAL	QTY	PART NO
1	LEVER HANDLE ASSY	METAL	1	994211
2	INDEX PLUG	PLASTIC	1	994202
3	HANDLE SCREW	STAINLESS STEEL	1	994197
4	LEVER HANDLE ASSY	METAL	1	994210
5	PLATE SCREW	BRASS	2	994442
6	ESCUTCHEON	BRASS	1	994406
7	PLATE GASKET	RUBBER	1	994521
8	TENSION RING	BRASS	1	133593
9	CAP	ZINC	1	133625
10	CAM & PACKING	PLASTIC	1	133577
11	BALL	STAINLESS STEEL	1	133437
12	BARREL SLEEVE	BRASS	1	994367
13	SEAT WASHER	RUBBER	2	133398
14	SPRING	STAINLESS STEEL	2	133400
15	O-RING	RUBBER	1	133725
16	VALVE BODY IPS	BRASS	1	118160
17	ESCUTCHEON	STAINLESS STEEL	1	ESC1
18	SHOWER ARM	BRASS	1	79101
19	SHOWER HEAD	PLASTIC	1	194004
20	TUB SPOUT	ZINC	1	101007