



## Description

- European styled kitchen faucet
- Single handle washerless control of hot and cold water
- Machined brass valve body
- 3/8" OD soft copper corrugated supply lines with 1/2" brass IPS connections
- Internal parts are interchangeable with genuine Delta® repair parts

## Performance

- Designed to provide 2.2 GPM at 60 PSI

## Compliance

- Designed to comply with requirements of ASME A112.18.1
- Meets low lead requirements of NSF Standard- 61, Section- 9
- Meets low lead requirements of California Proposition- 65
- Complies with the requirements of the UPC (Uniform Plumbing Code)
- Complies with ADA (American With Disabilities Act)
- Meets or exceeds CSA B125

## Listings

- IAPMO (International Association of Plumbing & Mechanical Officials)
- cUPC (Uniform Plumbing Code & Canadian Uniform Plumbing Code)
- CSA (Canadian Standards Association)

## Warranty

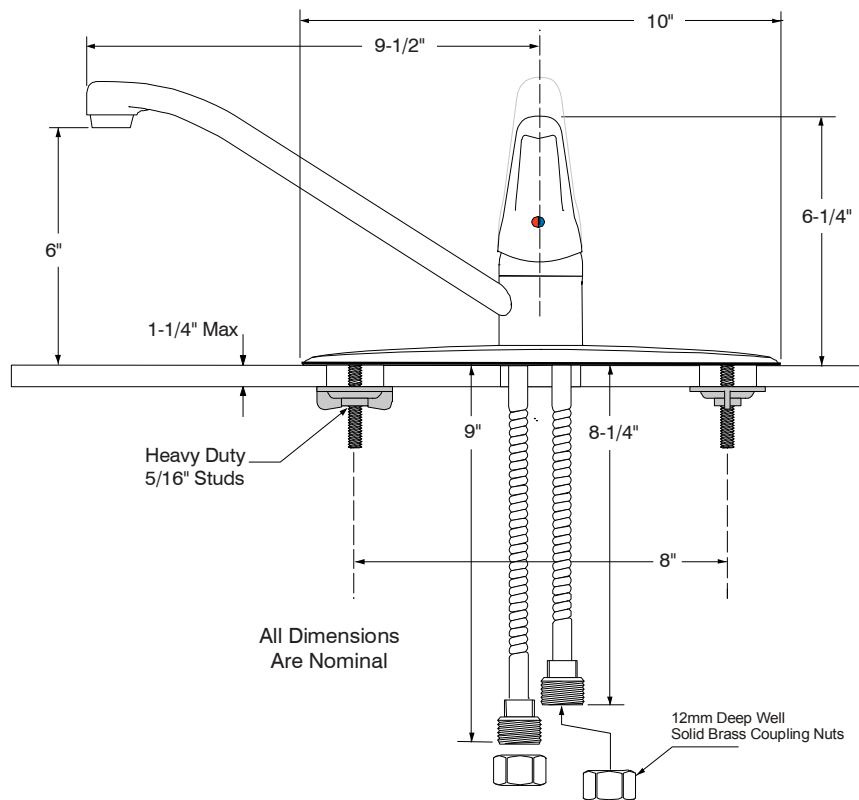
- Limited Lifetime Warranty  
Refer to Premier Faucet warranty program for further details and restrictions.

# Bayview™



## Model 120001

Single Lever Handle Kitchen Faucet  
Chrome Plated Finish  
Less Spray  
1/2" IPS Connection



For additional information contact Premier Faucet at 866-745-4010 or visit our website at [www.premierfaucet.com](http://www.premierfaucet.com)