



# Model 120152

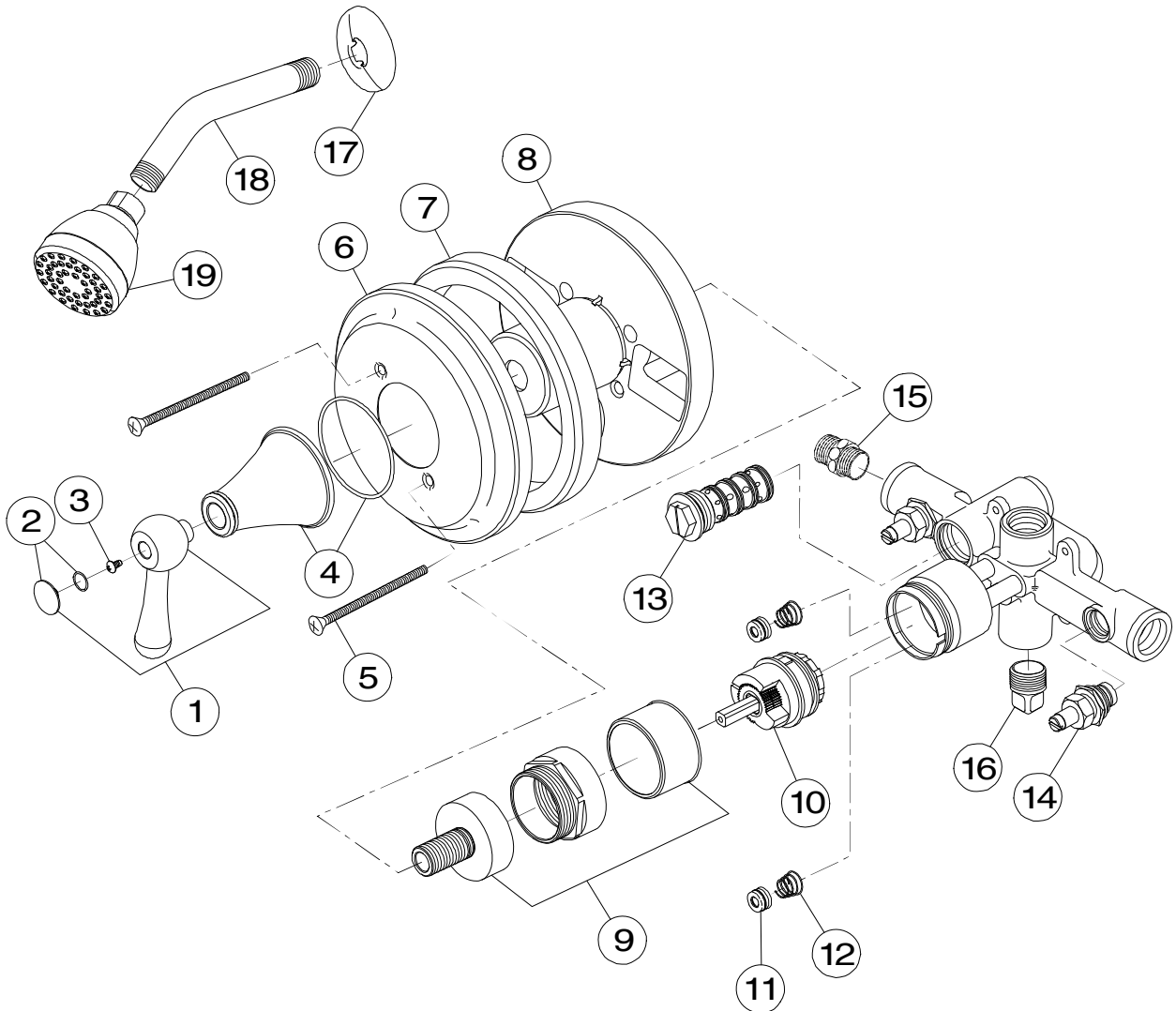
Single Lever Handle Shower Only Set  
Pressure Balancing  
Chrome Plated Finish  
1/2" IPS Connection

# SONOMA™



Model 120152

**Refer to Premier Faucet Parts List Sheet for part numbers and ordering information.**





### Model 120152

Single Lever Handle Shower Only Set  
Pressure Balancing  
Chrome Plated Finish  
1/2" IPS Connection

# SONOMA™



Model 120152

*Refer to Premier Faucet Parts Schematic Sheet for parts diagram.*

INDEX	DESCRIPTION	MATERIAL	QTY	PART NO
1	HANDLE ASSEMBLY	BRASS	1	994154
2	SCREW COVER KIT	BRASS	1	994252
3	HANDLE SCREW	STAINLESS STEEL	1	994146
4	CANOPY KIT	BRASS	1	994343
5	PLATE SCREW	BRASS	2	994442
6	ESCUTCHEON	BRASS	1	994420
7	GASKET	RUBBER	1	994525
8	ROUGH-IN PLATE	PLASTIC	1	994580
9	SPINDLE & BARREL ASSY	BRASS	1	994445
10	CARTRIDGE	PLASTIC	1	994112
11	SEAT WASHER	RUBBER	2	133398
12	SPRING	STAINLESS STEEL	2	133400
13	BALANCER ASSEMBLY	STAINLESS STEEL	1	133139
14	INTEGRAL STOP	BRASS	2	994554
15	SWEAT ADAPTER	BRASS	4	994587
16	IPS PLUG	BRASS	1	109-8
17	ESCUTCHEON	STAINLESS STEEL	1	994413
18	SHOWER ARM	BRASS	1	79101
19	SHOWER HEAD	PLASTIC	1	192028

