



Description

- Twin lever handle euro style widespread roman tub faucet
- Designed for 6" to 30" center set distances
- Trouble-free brass frame ceramic cartridge
- Brushed nickel finish
- Standard 1/2" IPS connections
- All brass construction

Performance

- Designed to provide 4.0 GPM at 20 PSI tub filler performance

Compliance

- Designed to comply with requirements of ASME A112.18.1
- Complies with ADA (American With Disabilities Act)
- Complies with the requirements of the UPC (Uniform Plumbing Code)

Listings

- IAPMO (International Association of Plumbing & Mechanical Officials)
- cUPC (Uniform Plumbing Code & Canadian Uniform Plumbing Code)
- CSA (Canadian Standards Association)

Warranty

- Limited Lifetime Warranty  
Refer to Premier Faucet warranty program for further details and restrictions.

Sanibel™

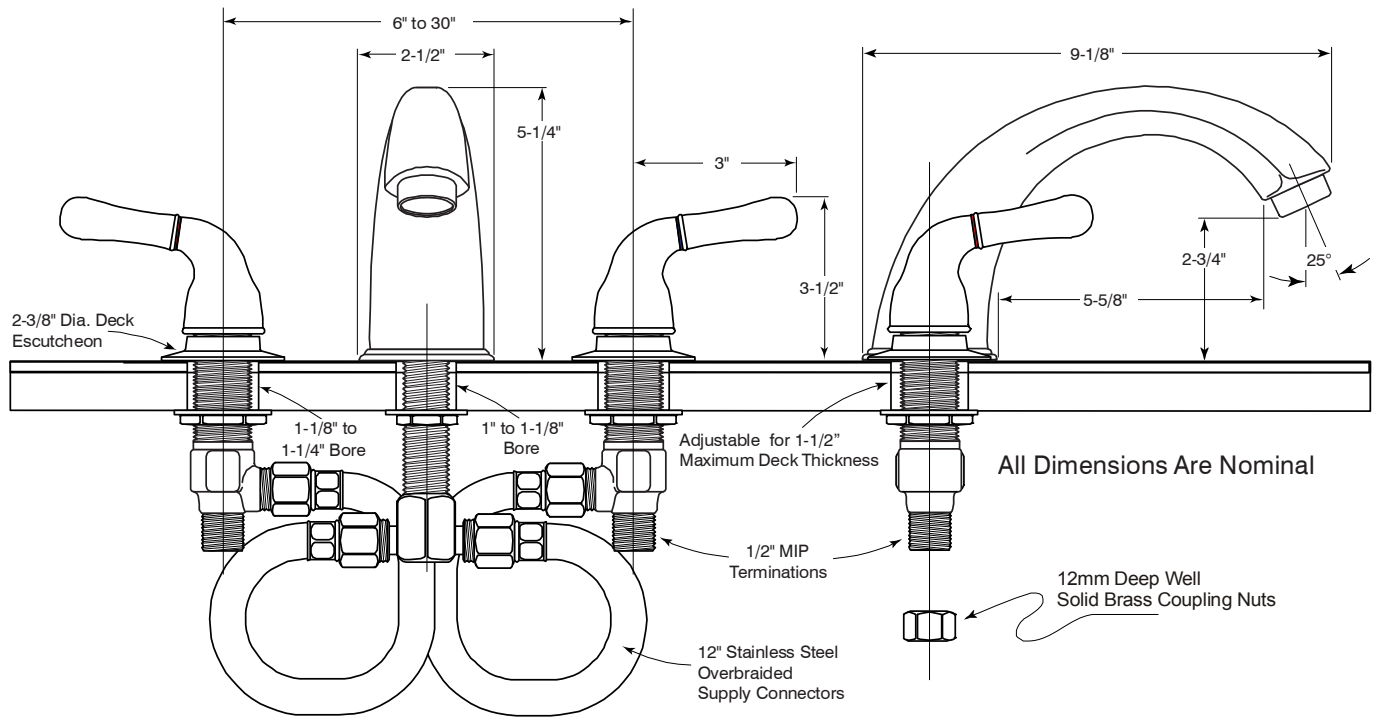


Model 120191

Twin Lever Handle Widespread Roman Tub Faucet

Brushed Nickel Finish

1/2" IPS Connection



For additional information contact Premier Faucet at 866-745-4010 or visit our website at [www.premierfaucet.com](http://www.premierfaucet.com)