



Description

- Single lever handle lead-free kitchen faucet
- Chrome plated finish
- All brass construction with lead-free waterways
- Wear resistant ceramic disc cartridge
- Includes EVA deck gasket
- 3/8" OD copper supply risers with 1/2" MIP connections

Performance

- Designed to provide 2.2 GPM at 60 PSI

Compliance

- Designed to comply with requirements of ASME A112.18.1
- Meets or exceeds CSA B125
- Meets lead-free requirements of NSF 372
- Meets lead-free requirements of California Health & Safety Code 116875
- Complies with toxicity requirements of NSF 61-9 and Cal Prop-65
- Complies with ADA (Americans with Disabilities Act)

Listings

- IAPMO (International Association of Plumbing & Mechanical Officials)
- cUPC (Uniform Plumbing Code & Canadian Uniform Plumbing Code)
- CSA-US (Canadian Standards Association-US)
- IAPMO Certified Lead-Free

Warranty

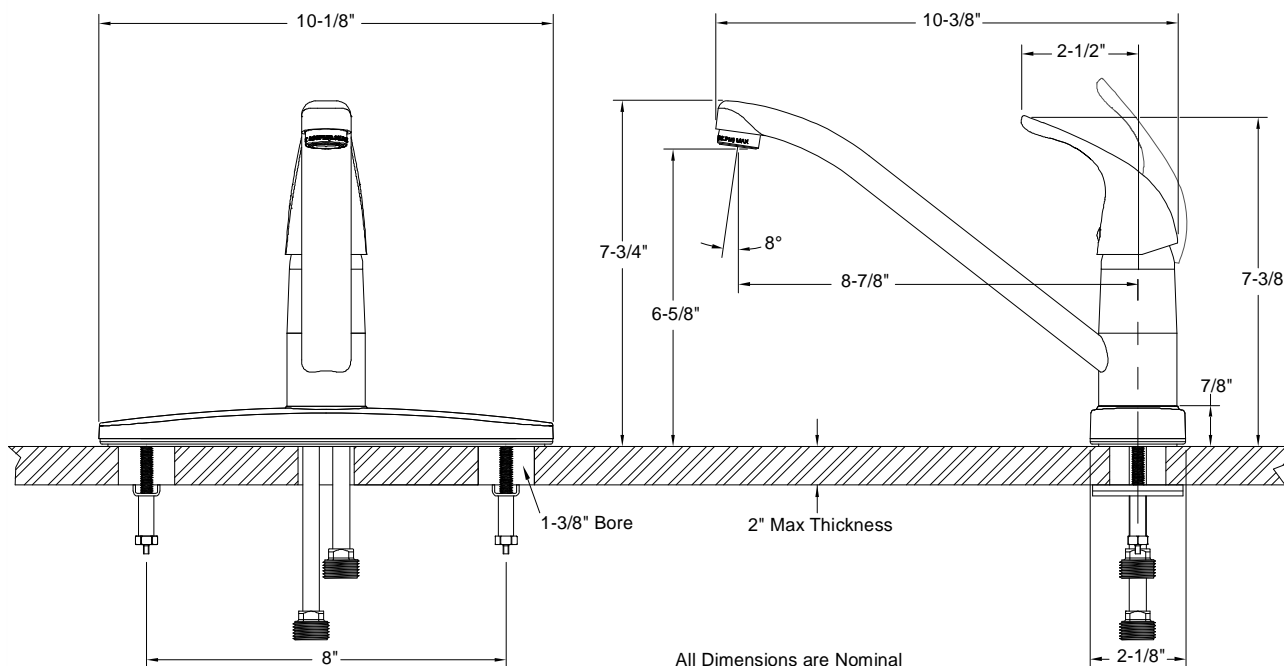
- Limited Lifetime Warranty
Refer to Premier Faucet warranty program for further details and restrictions.

Westlake™



Model 106171

Single Lever Handle Kitchen Faucet
 Chrome Plated Finish
 Less Spray
 1/2" IPS Connections



For additional information contact Premier Faucet at 866-745-4010 or visit our website at www.premierfaucet.com.

