

FEATURES:

- All Brass Material
- Ceramic Cartridges
- Max Flow Rate:
- 100% Factory Tested

APPLICABLE STANDARDS/CODES:

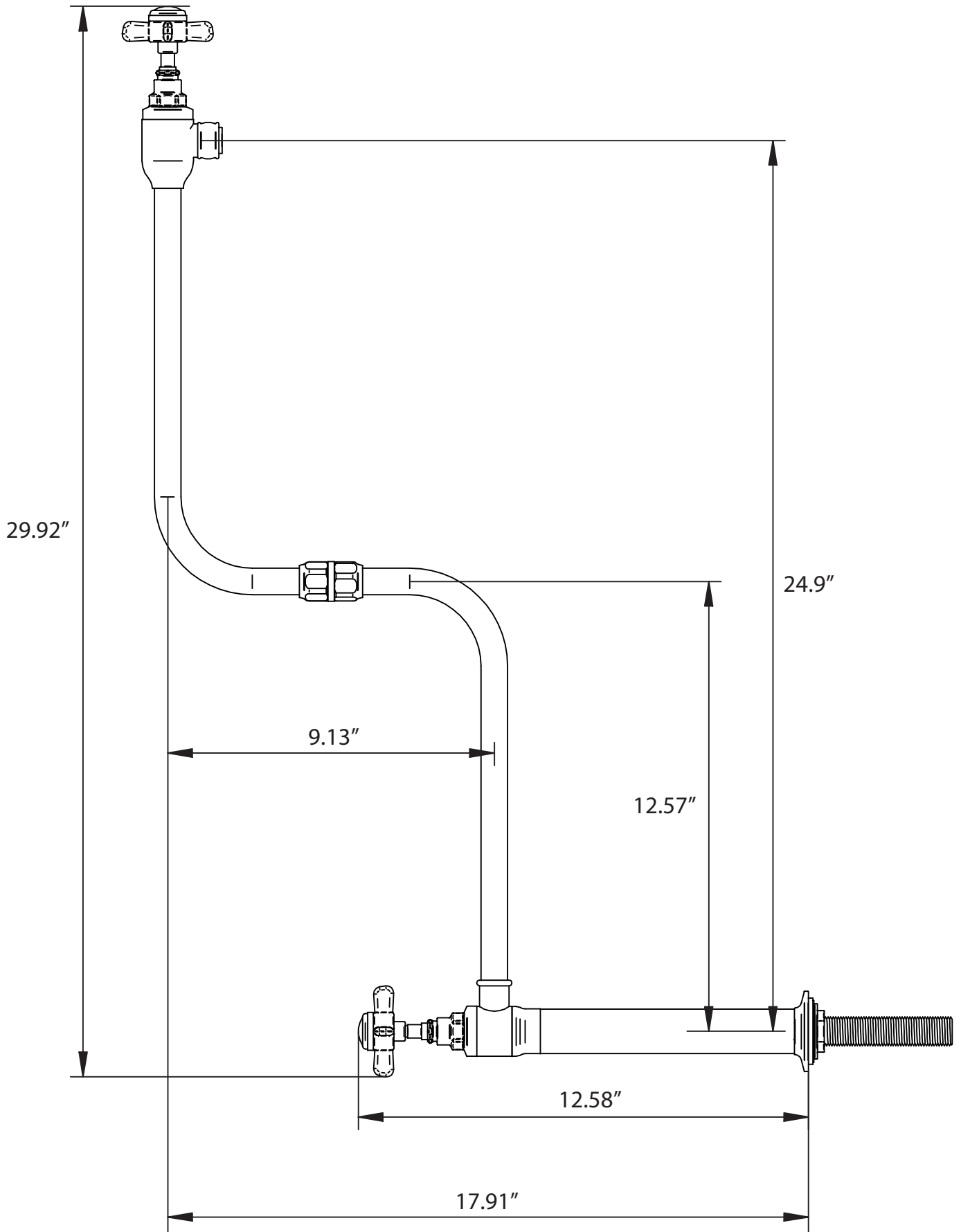
- NSF/ANSI
- California Lead Plumbing Law
- CUPC

FINISHES:

- Brushed Oil Rubbed Bronze (ORB)
- Copper PVD M-C-12 (TC)

SPECIFIED MODEL:

- K-PF02ORB / Standing Pot Filler / ORB
- K-PF02TC / Standing Pot Filler / TC



EXPLODED PARTS VIEW

