



Model Number: K-DW01ORB

Drinking Water Faucet

FEATURES:



- All Brass Material
- Ceramic Cartridges
- Max Flow Rate: 2.2GPM(8.3LPM) @ 60PSI
- 100% Factory Tested

APPLICABLE STANDARDS/CODES:

- ASME A112.18.1
- NSF/ANSI 61-2007a
- California Low Lead Plumbing Law
- ADA

FINISH:

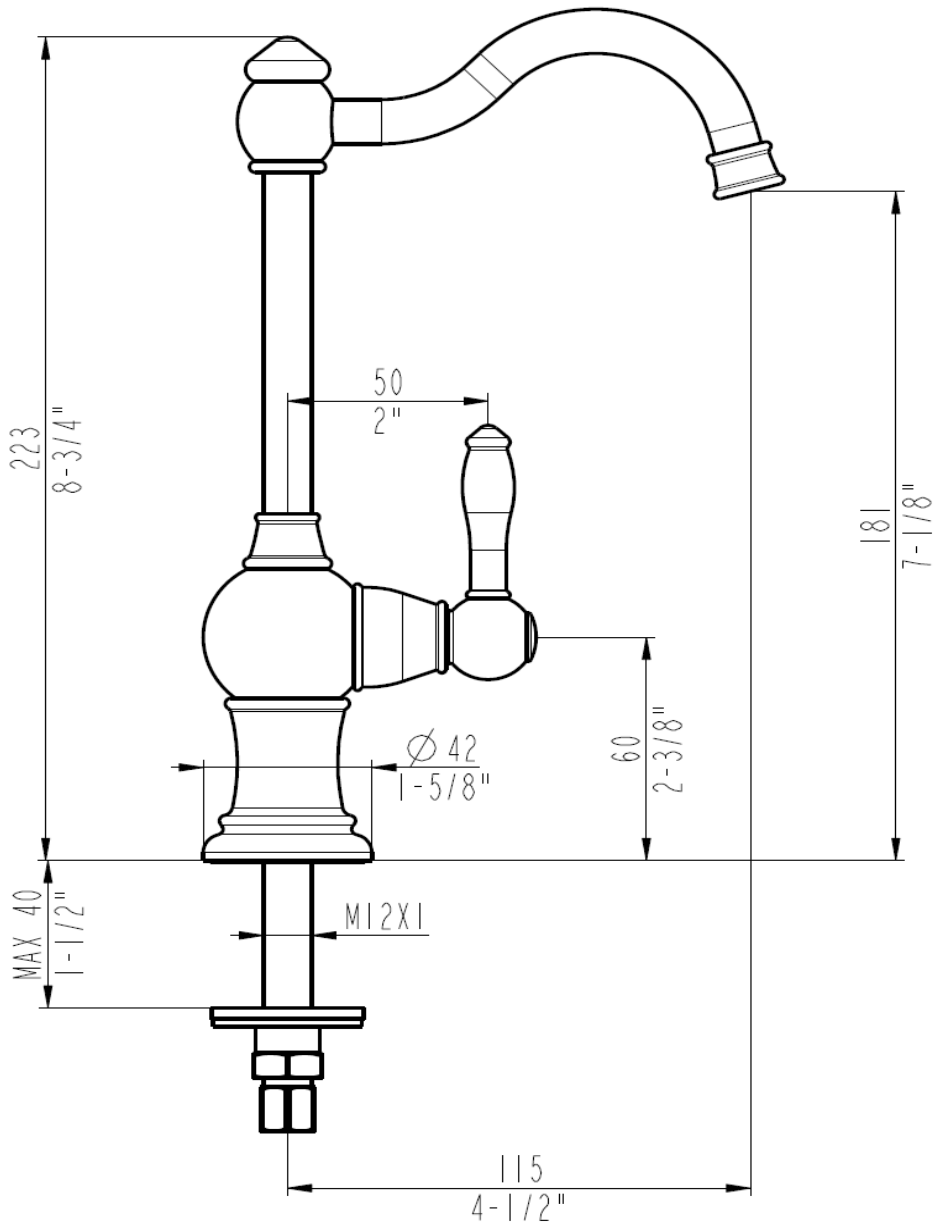
- Oil Rubbed Bronze (ORB)



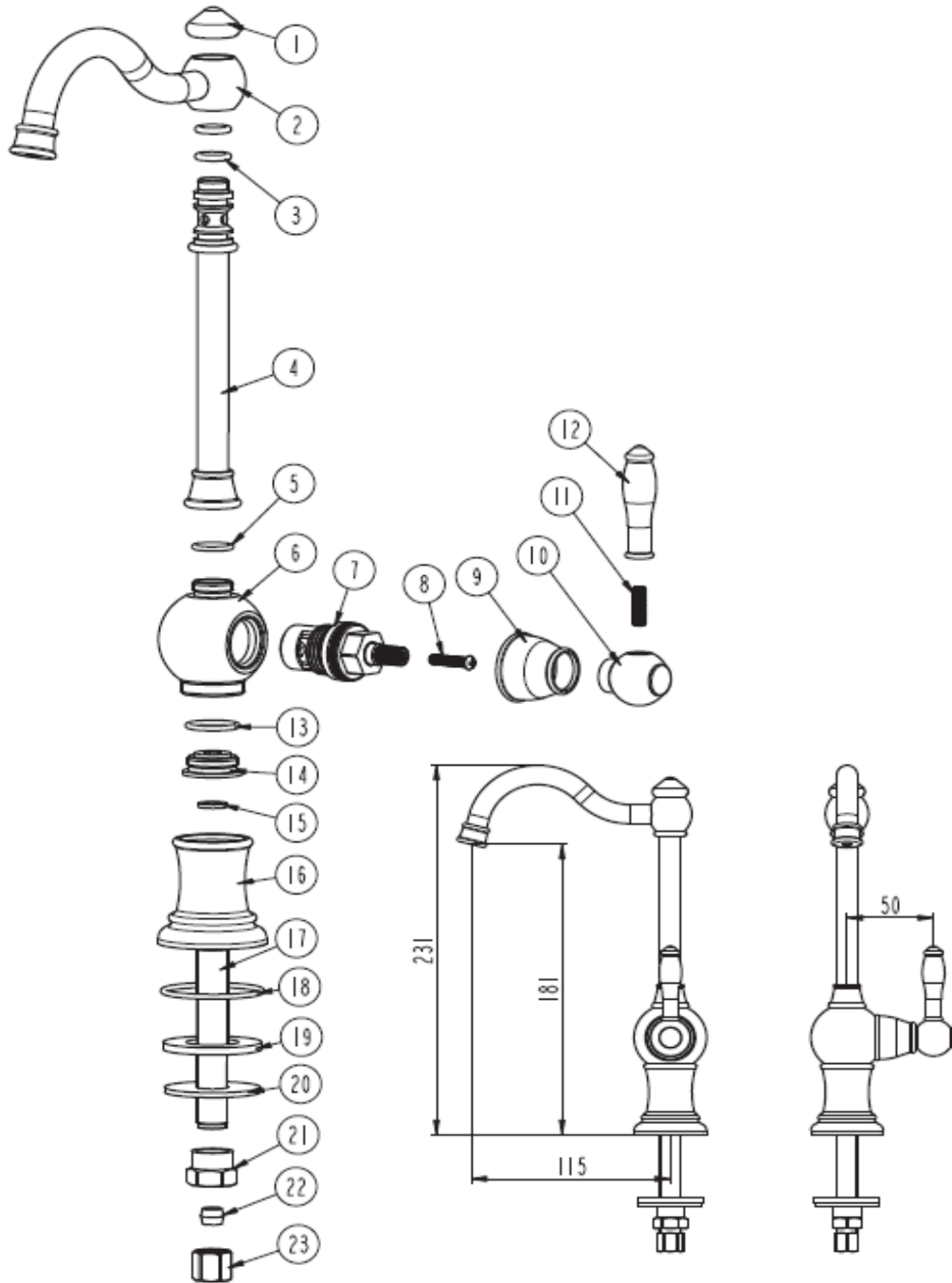
SPECIFIED MODEL:

Model	Description	Finish
K-DW01ORB	Drinking water faucet without drain	ORB
K-DW01ORB-D	Drinking water faucet with 3.5" strainer drain	ORB
K-DW01ORB-G	Drinking water faucet with 3.5" garbage disposal drain	ORB

PRODUCT SPECIFICATIONS



EXPLODED PARTS VIEW





PARTS LISTING

NO.	MODEL	PART NAME
1	11012XX	SPOUT COVER
2	X14052XX	SPOUT
3	N0504600	O-RING
4	X03128XX	BODY PIPE
5	N0500500	O-RING
6	X08088XX	BODY
7	N7100718	1/4-TURN CARTRIDGE
8	902200	CROSS SCREW
9	11011XX	HANDLE COVER
10	01101XX	HANDLE ROUND NUT
11	903200	INNER HEX LOCKING SCREW
12	01100XX	HANDLE LEVER
13	N0503400	O-RING
14	X1205800	CONNECT NUT
15	N0552800	WASHER
16	16103XX	BODY CANOPY
17	X0308400	CONNECT TUBE
18	504900	O-RING
19	552400	WASHER
20	1805008	IRON GASKET
21	1201700	LOCKING NUT
22	N1805411	PLASTIC SEAL
23	1205600	LOCKING NUT