

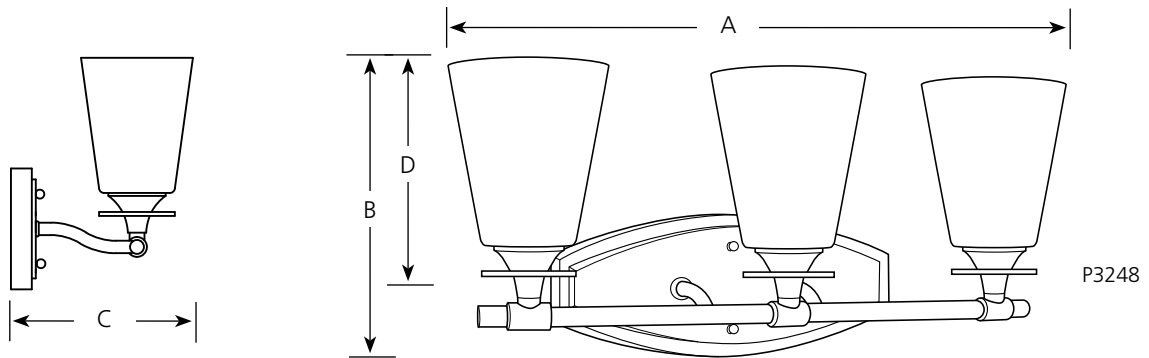
Type \_\_\_\_\_

-77

P3248

P3249

| Catalog No. | Forged Bronze | Lamping    | Dimensions (Inches) |       |       |       |
|-------------|---------------|------------|---------------------|-------|-------|-------|
|             |               |            | A                   | B     | C     | D     |
| P3248       | -77           | 3 (m) 100w | 21-1/2              | 9-1/4 | 7-1/4 | 6-3/4 |
| P3249       | -77           | 4 (m) 100w | 29-7/8              | 9-1/4 | 7-1/4 | 6-3/4 |



**Specifications:**

General

- Seeded topaz glass shades, 4-1/2" dia. x 5-1/2" T, 1-3/4" center hole
- Flat bobeches
- Hand painted Forged Bronze (-77) finish
- Can be mounted in the "up" or "down" position
- Steel construction
- Companion chandelier, hall and foyer, wall bracket, close to ceiling, pendant, and bath and vanity units

Mounting

- Wall mounted
- Backplate dimensions (P3248 & P3249): 12-1/2" W x 4-3/4" T x 1" deep
- Canopy covers a standard 4" hexagonal outlet box
- Mounting strap for outlet box included

Electrical

- Ceramic medium based sockets
- Pre-wired

Labeling

- UL-CUL damp location listed