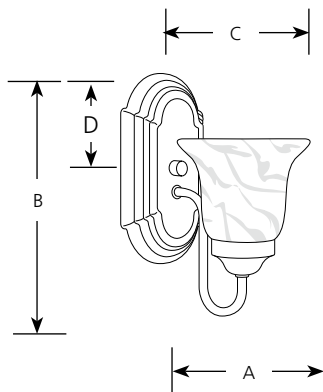
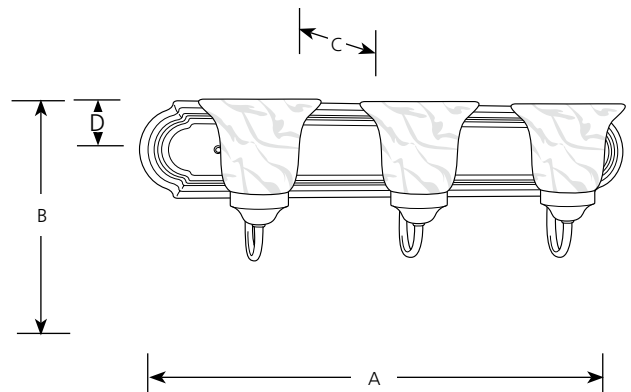


Type	-09	-20
P3051	<input type="checkbox"/>	<input type="checkbox"/>
P3052	<input type="checkbox"/>	<input type="checkbox"/>
P3053	<input type="checkbox"/>	<input type="checkbox"/>
P3054	<input type="checkbox"/>	<input type="checkbox"/>
P3055	<input type="checkbox"/>	<input type="checkbox"/>
P3056	<input type="checkbox"/>	<input type="checkbox"/>

Catalog No.	Finish		Lamping	Dimensions (Inches)			
	Brushed Nickel	Antique Bronze		A	B	C	D
P3051	-09	-20	1 (m) 100w	5-1/4	9	7-3/8	3
P3052	-09	-20	2 (m) 100w	18	7-1/4	7-3/8	2-3/8
P3053	-09	-20	3 (m) 100w	24	7-1/4	7-3/8	2-3/8
P3054	-09	-20	4 (m) 100w	30	7-1/4	7-3/8	2-3/8
P3055	-09	-20	5 (m) 100w	36	7-1/4	7-3/8	2-3/8
P3056	-09	-20	6 (m) 100w	48	7-1/4	7-3/8	2-3/8



P3051



P3053

**Specifications:**

General

- Etched alabaster glass shades: 5-1/4" dia. x 4-5/8" ht.
- Racetrack style backplate
- Brushed Nickel (-09) is plated and Antique Bronze (-20) is painted or acid finish
- Steel construction

Mounting

- Wall mounted
- Can be mounted in "up" or "down" position
- Canopy covers a standard 4" octagonal recessed outlet box

- Mounting strap for outlet box included
- Racetrack style backplate:
  - P3051 is 4-1/2" width x 8" ht.
  - P3052 is 18" width x 4-1/2" ht.
  - P3053 is 24" width x 4-1/2" ht.
  - P3054 is 30" width x 4-1/2" ht.

Electrical

- Pre-wired
- Medium based ceramic sockets

Labeling

- UL-CUL damp location listed



Compact Fluorescent

**Etched Alabaster**  
**Energy Star Certified**  
**Title 24 Compliant**

Bath & Vanity

Type \_\_\_\_\_

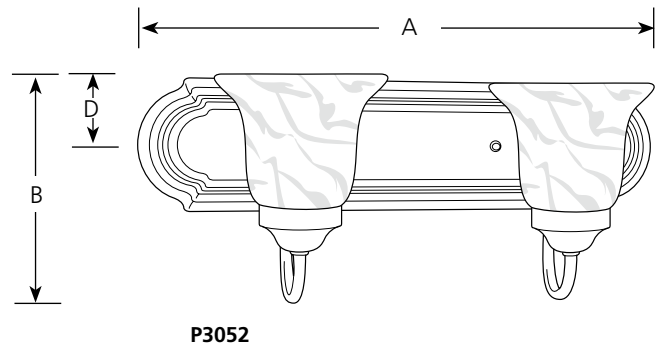
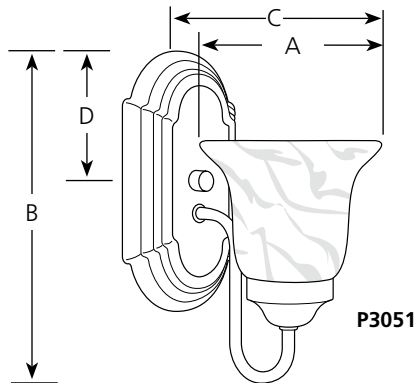
-09    -20

P3051	<input type="checkbox"/>	<input type="checkbox"/>
P3052	<input type="checkbox"/>	<input type="checkbox"/>
P3053	<input type="checkbox"/>	<input type="checkbox"/>
P3054	<input type="checkbox"/>	<input type="checkbox"/>

**Finish**

**Dimensions (Inches)**

Catalog No.	Brushed Nickel	Antique Bronze	Lamping	Dimensions (Inches)			
				A	B	C	D
P3051	-09EBWB	-20EBWB	1-13w spiral CFL (incl)	5-1/4	9	7-3/8	3
P3052	-09EBWB	-20EBWB	2-13w spiral CFL (incl)	18	7-1/4	7-3/8	2-3/8
P3053	-09EBWB	-20EBWB	3-13w spiral CFL (incl)	24	7-1/4	7-3/8	2-3/8
P3054	-09EBWB	-20EBWB	4-13w spiral CFL (incl)	30	7-1/4	7-3/8	2-3/8



**Specifications:**

General

- Etched Alabaster glass shades: 5-1/4" dia. x 4-5/8" ht.
- Racetrack style backplate
- 13 watt spiral CFL lamps included
- Brushed Nickel (-09) is plated and Antique Bronze (-20) is painted finish
- Energy Star certified
- Title 24 compliant
- Steel Construction

Mounting


- Wall mounted
- Can be mounted in up or down position

- Backplate covers a standard 4" octagonal recessed outlet box
- Mounting strap for outlet box included
- Racetrack style backplate:
  - P3051 is 4-1/2" width x 8" ht.
  - P3052 is 18" width x 4-1/2" ht.
  - P3053 is 24" width x 4-1/2" ht.
  - P3054 is 30" width x 4-1/2" ht.

Electrical

- Pre-wired
- GU24 based sockets

Labeling

-  damp location listed
- Energy Star Certified
- Title 24 compliant



Progress Lighting  
 701 Millennium Blvd.  
 Greenville, South Carolina  
 29607

www.progresslighting.com

Rev. 2/10