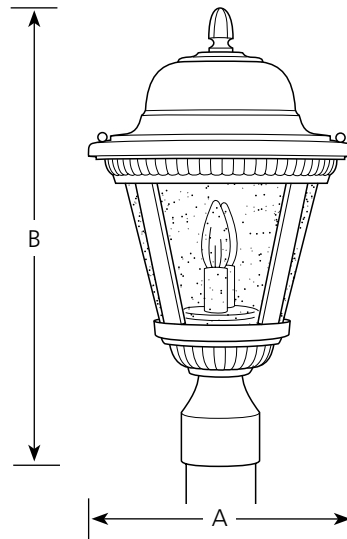


	Type	_____
	-30	-31
P5434	<input type="checkbox"/>	<input type="checkbox"/>

Catalog No.	Finish		Lamping	Dimensions (Inches)	
	White	Black		A	B
P5434	-30	-31	2 (c) 60w	11	19



Specifications:

General

- Clear seeded glass: 8-1/2" dia. x 7" ht.
- Beaded details with ribbed finials
- Die cast aluminum construction
- Painted finishes
- Companion post top, chain mounted and wall units

Electrical

- Medium based socket
- Pre-wired

Labeling

- UL-CUL wet location listed

Mounting

- Post mount outdoor
- Fits a 3" post or pedestal mount (order separately)



Compact Fluorescent

Westport CFL
Energy Star

Outdoor

Type _____

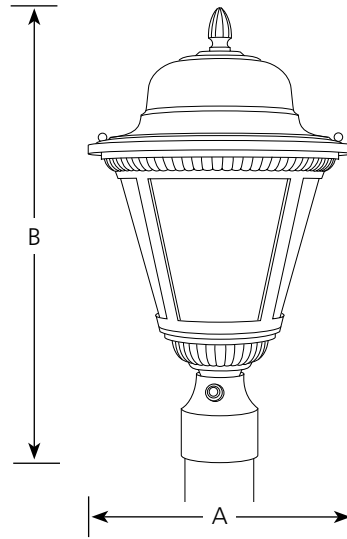
-20STR

P5434

Finish

Dimensions (Inches)

Catalog No.	Antique Bronze	Lamping	A	B
P5434	-20STR	1-18w CFL	11	19



Specifications:

General

- Seeded frosted glass: 8-1/2" dia. x 7" ht.
- Beaded details with ribbed finials
- Die cast aluminum construction
- Painted or acid antique bronze finish
- Companion post top, chain mounted and wall units


Mounting

- Post mount outdoor
- Fits a 3" post or pedestal mount (order separately)

Electrical

- GU24 based socket
- Integral photocell turns unit off during daytime
- Pre-wired

Labeling

-  US damp location listed



Progress Lighting
701 Millennium Blvd.
Greenville, South Carolina
29607

www.progresslighting.com

Rev. 5/09