



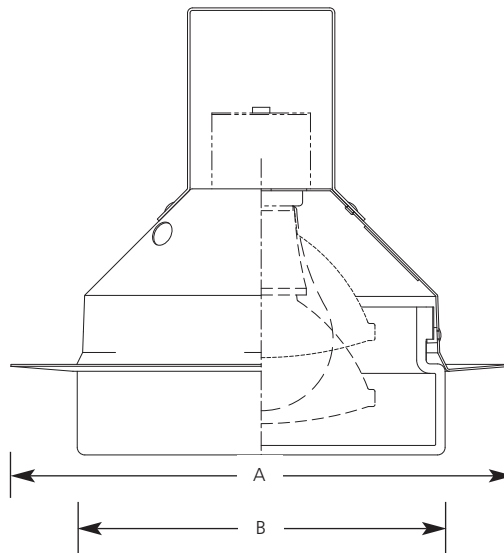
Incandescent

**6" Economy Drop Opal
with Reflector
IC & Non-IC**

Recessed

Type _____
-60
P8007

Catalog No.	Finish	Dimensions (Inches)	
		A	B
P8007	White Glass, Metallic Flange	7-3/4	5-1/8



Lamp Wattage

Housing	IC	Non-IC
P87-AT, P87-ATQC	60A19, 50w PAR30	100A19, 75w PAR30
P187-TG	60A19, 50w PAR30	100A19, 75w PAR30
P821-AT	75A19, 75w PAR30	75A19, 75w PAR30
P821-FB	N/A	75A19, 75w PAR30
P821-FBFC	N/A	75A19, 75w PAR30

Specifications:

Flange

- Bright White metal flange
- No light leaks around trim flange
- Covers irregular ceiling openings

Trim

- Trim-Lok® action forces trim to fit snugly against the ceiling
- Socket mounts to trim for optimum performance and consistent lamp position
- Full aluminum interior reflector

Lens

- Drop opal glass: 5-11/16" OD neck, 6-1/16" dia. x 2-3/8" ht.
- Twists and locks into reflector for easy lamp access

Labels

- UL-CUL wet location listed

Progress Lighting
701 Millennium Blvd.
Greenville, South Carolina
29607

www.progresslighting.com
Patent# 5,758,959

Rev. 7/09



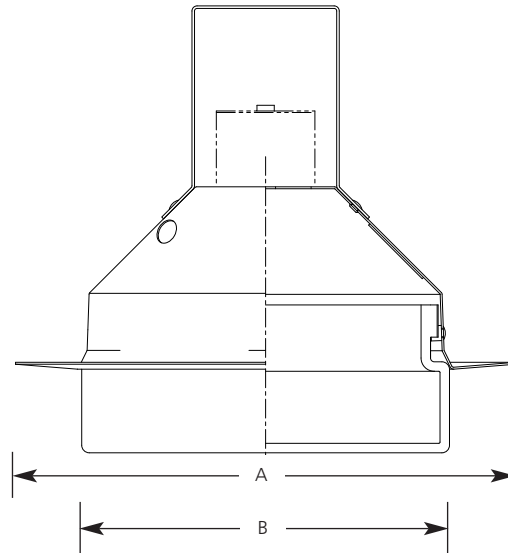
Compact Fluorescent

**6" Economy Drop Opal
with Reflector
IC & Non-IC**

Recessed

Type _____
-60
P8007

Catalog No.	Finish	Dimensions (Inches)	
		A	B
P8007	White Glass, Metallic Flange	7-3/4	5-1/8



Lamp Wattage

Housing	IC	Non-IC
P88-ICAT	18w 4-pin Quad/Triple-tube CF	18w 4-pin Quad/Triple-tube CF
P83-ICAT	13w 4-pin Quad/Triple-tube CF	13w 4-pin Quad/Triple-tube CF
P83-AT	13w 4-pin Triple-tube CF	13w 4-pin Triple-tube CF
P183-EB	13w 4-pin Triple-tube CF	13w 4-pin Triple-tube CF

Specifications:

Flange

- Bright White metal flange
- No light leaks around trim flange
- Covers irregular ceiling openings

Trim

- Trim-Lok® action forces trim to fit snugly against the ceiling
- Socket mounts to trim for optimum performance and consistent lamp position
- Full aluminum interior reflector

Lens

- Drop opal glass: 5-11/16" OD neck, 6-1/16" dia. x 2-3/8" ht.
- Twists and locks into reflector for easy lamp access

Labels

- UL-CUL wet location listed

Progress Lighting
701 Millennium Blvd.
Greenville, South Carolina
29607

www.progresslighting.com
Patent# 5,758,959