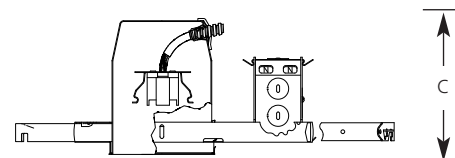
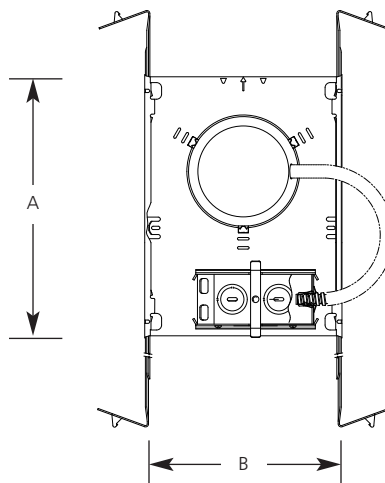


Type \_\_\_\_\_  
 P830-13ICAT

Catalog No.	Lamping	Dimensions (Inches)		
		A	B	C
P830-13ICAT	13W 4-Pin Triple Tube CF	9-3/4	7-1/2	5-1/2
		Ceiling Opening 4-1/2		



**Specifications:**

Wiring

- Removable housing for field inspection of wiring
- Universal J-box with snap-out sides
- Grounding pigtail
- Tool free integral Romex clamps
- Six 1/2" & two 3/4" Knock outs for rigid conduit or BX fittings
- Electronic NPF 120V Ballast (located inside junction box)

Construction

- Notched housing for chalkline alignment
- Overspray protection
- Full wrap-around plaster frame
- Housing adjusts from 1/2" to 2-1/2" thick ceilings

Bar Hangers

- Integral nailers for wood joist construction
- Integral T-bar mounting clamps
- Span 24" T-bar spacing
- Lock to secure housing
- Captive
- 90-degree mounting for tight spaces

Labeling

- UL-CUL listed for damp location
- IC rated.

Lamp/Trim

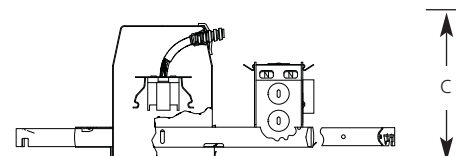
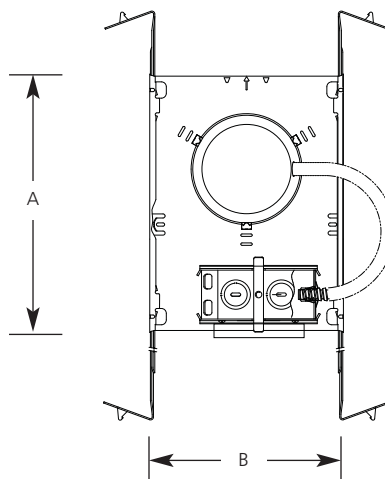
- Socket mounts to trim for optimum performance and consistent lamp position
- Leaf spring included with trim includes patented "Hurricane" design to allow for ease of installation and trim removal by rotating counter-clockwise



Progress Lighting  
 701 Millennium Blvd.  
 Greenville, South Carolina  
 29607

Type \_\_\_\_\_  
 P830-18ICAT

Catalog No.	Lamping	Dimensions (Inches)		
		A	B	C
P830-18ICAT	18W 4-Pin Triple Tube CF	9-3/4	7-1/2	5-1/2
		Ceiling Opening 4-1/2		



**Specifications:**

Wiring

- Removable housing for field inspection of wiring
- Universal J-box with snap-out sides
- Grounding pigtail
- Tool free integral Romex clamps
- Six 1/2" & two 3/4" Knock outs for rigid conduit or BX fittings
- Electronic NPF 120V Ballast

Construction

- Notched housing for chalkline alignment
- Overspray protection
- Full wrap-around plaster frame
- Housing adjusts from 1/2" to 2-1/2" thick ceilings

Bar Hangers

- Integral nailers for wood joist construction
- Integral T-bar mounting clamps
- Span 24" T-bar spacing
- Lock to secure housing
- Captive
- 90-degree mounting for tight spaces

Labeling

- UL-CUL listed for damp location
- IC rated.

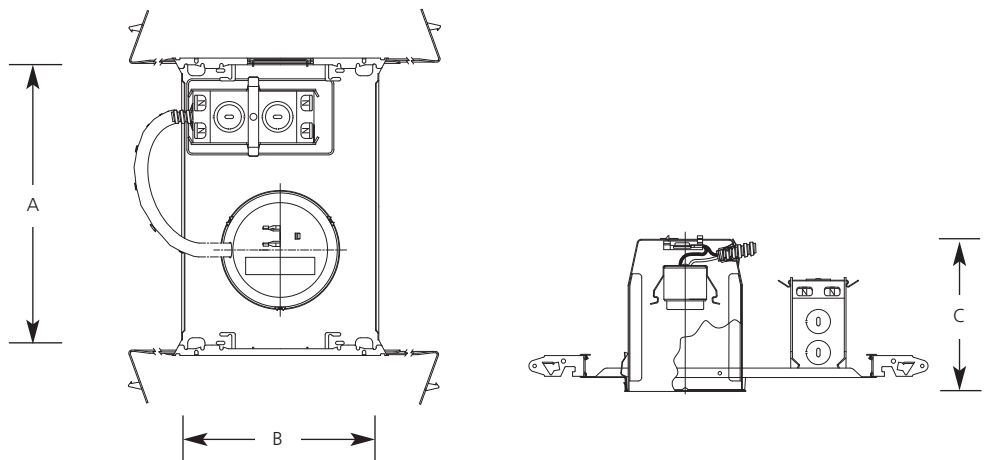
Lamp/Trim

- Socket mounts to trim for optimum performance and consistent lamp position
- Leaf spring included with trim includes patented "Hurricane" design to allow for ease of installation and trim removal by rotating counter-clockwise



Type \_\_\_\_\_  
P830-TG

Catalog No.	Lamping	Dimensions (Inches)		
		A	B	C
P830-TG	See Trim Specifications	10-3/4	7-7/8	5-1/2
		Ceiling Opening 4-1/2		



**Specifications:**

Wiring

- Removable housing for field inspection of wiring
- Universal J-box with snap-out sides
- Grounding pigtail
- Knock out free integral Romex clamps
- 1/2" & 3/4" Knock outs for rigid conduit or BX fittings

Construction

- Notched housing for chalkline alignment
- Overspray protection
- Full wrap-around plaster frame
- Removable K.O. for remodel use (P8607-01 plaster frame clips also required)
- Housing adjusts from 1/2" to 2-1/2" thick ceilings

Bar Hangers

- Integral nailers for wood joist construction
- Integral T-bar mounting clamps
- Span 24" T-bar spacing
- Lock to secure housing
- Captive
- 90-degree mounting for tight spaces

Labeling

- UL-CUL listed for damp location and through branch wiring
- Non-IC rated.

Lamp/Trim

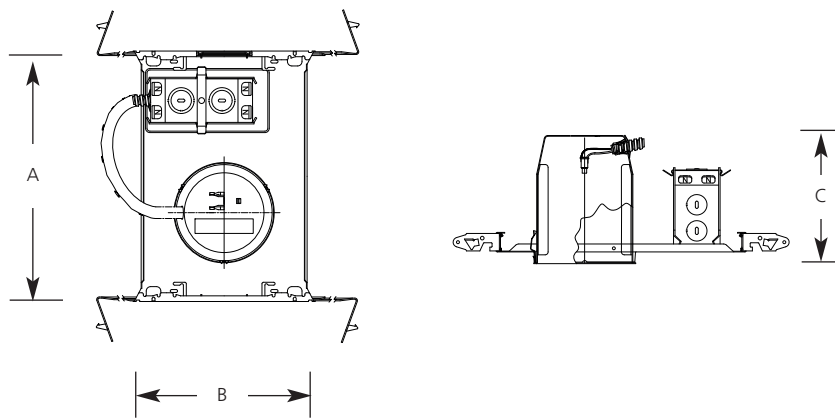
- Socket mounts to trim for optimum performance and consistent lamp position

Type \_\_\_\_\_

P830-ATQL

**EVERLUME**  
LED LIGHTING

Catalog No.	Lamping	Dimensions (Inches)		
		A	B	C
P830-ATQL	See Trim Specifications	10-3/4	7-7/8	5-1/2
		Trim Opening 4-1/2		



Title 24 Lighting

**Specifications:**

Wiring

- Removable housing to field inspection of wiring
- Includes Quick-Link receptacle to accept plug on Quik-Link trims
- No screw based socket or components are in this housing
- Housing is California Title 24 compliant
- Universal J-box with snap-out sides
- Grounding pigtail
- Knockout free integral Romex clamps
- 1/2" & 3/4" Knock outs for rigid conduit or BX fittings
- Quick Link connector for rapid attachment to accomodaing Everlume QL Trims

Construction

- Notched housing for chalkline alignment

- Galvanized steel construction
- Full wrap around plaster frame
- Removable K.O. for remodel use (P8607-01 plaster frame clips also required)
- Housing adjusts from \_" to 2-1/2" thick ceilings

Bar Hangers

- Integral nailers for wood joist construction
- Integral T-bar mounting clamps
- Span 24" T-bar spacing
- Lock to secure housing
- Captive
- 90-degree mounting for tight spaces

Labeling

- Complies with Washington State Energy Code (WSEC) requirement for air tight
- UL-CUL listed for dry location and through branch wiring (4in/4out)
- IC Rated